

JIANGSU GOODWE POWER SUPPLY  
TECHNOLOGY CO., LTD.  
Xie Jing  
Technic Support Dept.  
NO. 189 Kun Lun Shan Road  
Suzhou New District  
Jiangsu 215163  
P. R. China

Date : 22/11/2019  
Our ref. : CSC 01  
Your ref.: X.J

**Ref : AK Certificate of Conformity**

Type of Equipment : Hybrid Inverter  
Model Designation : See Certificate  
Certificate No. : AK 50452066 0001  
Report No. : 50305492 001

Dear Xie Jing,

We herewith confirm that a sample of the above mentioned technical equipment has been tested and was found to be in accordance with the relevant requirements.

Enclosed please find your Certificate of Conformity.

We appreciate your kind support and would like to offer our assistance and continuous services in the future.

With kind regards,

Certification Body

  
Bruce Li

CC: JIANGSU GOODWE POWER SUPPLY

Enclosure

证书的详细资料请登陆[www.certipedia.com](http://www.certipedia.com)查阅,或拨打我司客服热线800 999 3668 / 400 883 1300咨询

# CERTIFICATE of Conformity



Registration No.: AK 50452066 0001

Report No.: 50305492 001

**Holder:** JIANGSU GOODWE POWER SUPPLY  
TECHNOLOGY CO., LTD.  
NO. 189 Kun Lun Shan Road  
Suzhou New District  
Jiangsu 215163  
P. R. China

**Product:** PV-Inverter  
(Hybrid Inverter)

**Identification:** Type Designation : GW5048-EM GW3648-EM GW3048-EM  
Firmware Version : 09  
Remark(s) : Compliance with the requirement of  
RD 244/2019, Annex I. Refer to test  
report 50305492 001 for details.

**Tested acc. to:** RD 1699:2011  
UNE 206006 IN:2011  
UNE 206007-1 IN:2013  
UNE 217001 IN:2015

The certificate of conformity refers to the above mentioned product. This is to certify that the specimen is in conformity with the assessment requirement mentioned above. This certificate does not imply assessment of the production of the product and does not permit the use of a TÜV Rheinland mark of conformity.



Certification Body

Date 22.11.2019

A handwritten signature in blue ink that reads 'Bruce Li'.  
Bruce Li

**TÜV Rheinland LGA Products GmbH - Tillystraße 2 - 90431 Nürnberg**

# CERTIFICADO

## de conformidad

**Anexo a**  
*Attachment to*

**No. de registro:** AK 50452066 0001  
*Registration No.*

**No. de informe:** 50305492 001  
*Report No.*

**Titular de licencia:** JIANGSU GOODWE POWER SUPPLY TECHNOLOGY CO., LTD.  
*License Holder*  
NO.189 Kun Lun Shan Road Suzhou New District Jiangsu 215163 P.R.  
China

**Tipo de producción:** Inversor híbrido  
*Type of production*

**Modelo:** GW5048-EM, GW3648-EM, GW3048-EM  
*Model*

**Versión de firmware:** 09  
*Firmware version*

**Estándar:** RD1699 : 2011  
*Standards* RD244 : 2019/ ANEXO I  
UNE 206006 IN : 2011  
UNE 206007-1 IN : 2013  
UNE 217001 IN : 2015

**Fecha de emisión:** 22.11.2019  
*Date of issue*

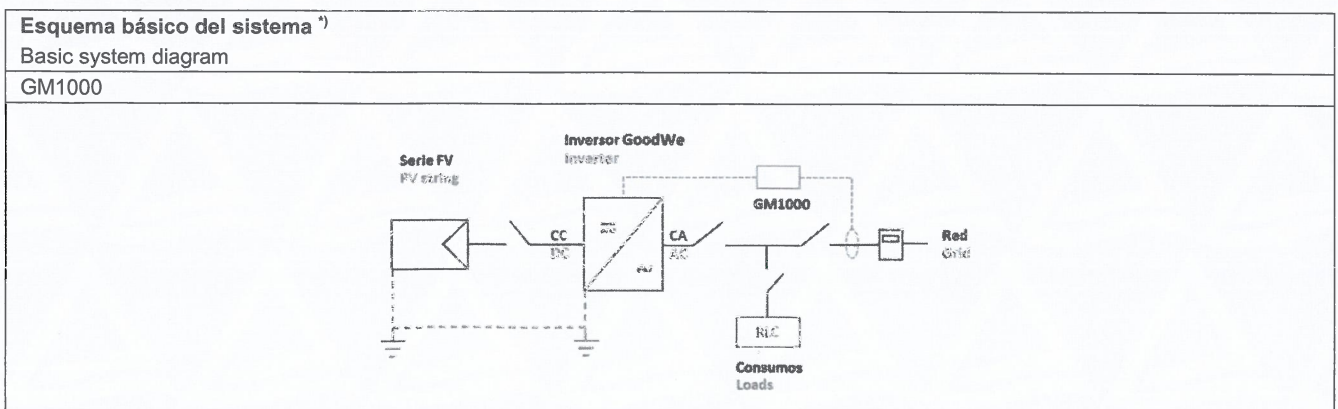
**Válido hasta el:** 21.11.2022  
*Valid until the*

El certificado de conformidad hace referencia al producto mencionado anteriormente. Esto es para certificar que la muestra se encuentra en conformidad con el requisito de evaluación mencionado anteriormente. Este certificado no implica una evaluación de la producción del producto y no permite el uso de una marca de conformidad TÜV Rheinland.

*The certificate of conformity refers to the above mentioned product. This is to certify that the specimen is in conformity with the assessment requirement mentioned above. This certificate does not imply assessment of the production of the product and does not permit the use of a TÜV Rheinland mark of conformity.*

<b>Información del inversor</b> Inverter information			
<b>Modelo</b> Model	<b>GW3048-EM</b>	<b>GW3648-EM</b>	<b>GW5048-EM</b>
<b>Potencia nominal CA</b> Nominal AC Power	3000 W	3680 W	4600 W
<b>Tensión nominal CA</b> Nominal AC voltage	230 V	230 V	230 V
<b>Corriente máxima CA</b> Maximal AC current	13.6 A	16.0 A	22.8 A
<b>Frecuencia nominal</b> Nominal frequency	50 Hz	50 Hz	50 Hz
<b>Rango de tensión MPPT</b> MPPT voltage range	100-550 V	100-550 V	100-550 V
<b>Tensión CC máxima</b> Max. DC voltage	550 V	550 V	550 V
<b>Corriente DC máxima</b> Max. DC current	11 A	11/11 A	11/11 A
<b>Elemento de control</b> Control device	Controller in Inverter	Controller in Inverter	Controller in Inverter
<b>Tipo de dispositivo de control</b> Type of control device	Integrated	Integrated	Integrated

<b>Información general del transductor de corriente externo / medidor de potencia *)</b> General information of external current transductor/ power meter	
<b>Fabricante</b> Manufacturer	Elecmat Technology Company Limited
<b>Modelo</b> Model	GM1000
<b>Aplicación</b> Application	1 Phase
<b>Tensión nominal</b> Nominal voltage	230 Vac
<b>Corriente máxima</b> Max. current	120 A
<b>Clase de precisión</b> Class of accuracy	Class 1
<b>Tipo de comunicación</b> Type of communication	RS485



\*) Para cumplir los requisitos de RD244: 2019 / ANEXO I y UNE 217001 IN: 2015, se instalará el dispositivo adicional.  
For fulfill the requirements of RD244 : 2019/ ANEXO I and UNE 217001 IN : 2015, the additional device shall be installed.