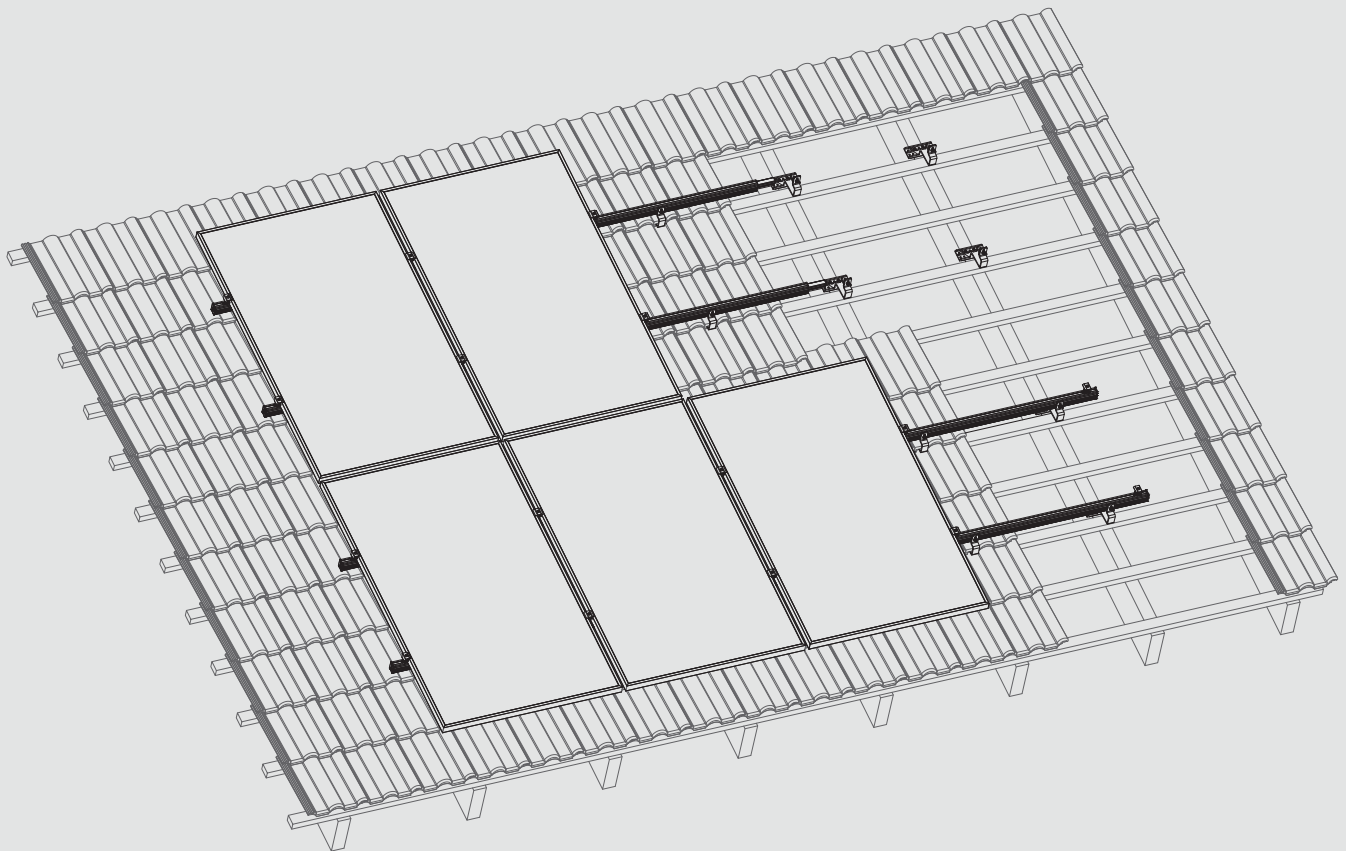


VS+

EN | Installation instructions



DE | Read these installation instructions carefully before starting the installation!
Only competent, qualified persons are allowed to carry out the installation!



EN | Usage

Mounting system for the installation of framed PV modules with a frame thickness between 30 and 50 mm on pitched roofs with the following characteristics:

- Roof pitch 5° - 60° (solar fasteners) or 20°-60° (roof hooks).
- For roof pitches below 20° the permissible roof pitch of the used tile type shall apply.
- Various tile roofs (pan tile, flat tile, interlocking tile, shingle tile, etc.) on wood substructure.
- PV assembly in Portrait and Landscape is possible.

A proof of stability of the roof considering the additional loads from the photovoltaic system must be on hand before the assembly.

Installation guideline

To compensate the linear expansion of modules and mounting system, an interruption should be planned every 12m.

Please observe the specifications issued by the manufacturers of the modules, the manufacturers of the roofing, as well as the local regulations for woodwork. Do not use the installed roof fixations as stepping aid.

For installation, follow the requirements referring to lightning and overvoltage protection for photovoltaic systems, as well as the requirements on fire protection.

If the installation takes place in a distance of 10 km to the coasts, we advise against the use of galvanised components.

For further information, please contact your sales representative or the Technical Department of Renusol.

Installation instructions

Please, carefully read the last version of the installation instructions, before starting the installation. First, familiarise yourself with the system components. Check the condition of the roof construction before starting the installation. This includes quality and thickness of rafters, purlins and the roof sealing. The building structure must be able to safely and durably bear the additional loads of the photovoltaic system. During the installation, in particular while working on the roof, be sure to observe the relevant



Check the structural loadability of the PV system before starting the installation. The building must be able to bear the additional weight

health and safety regulations and please follow the relevant professional rules.

The figures and texts in the installation instructions correspond to current technology at the time of printing. Printing errors are possible and we reserve the right to make technical changes. The individual installation instructions are merely recommendations in accordance with the current state of the art and are based on the experience of how systems by Renusol can be installed. If any special characteristics of the roof or object need to be considered, please consult specialists such as roofers or structural engineers, if necessary.

Check for the current version of our installation instructions on our website at www.renusol.com. Here, you can also find instructions in additional languages, if required.

Tests/certificates:

- TÜV
- MCS012 (IK0197)

Other applicable documents

“General installation, maintenance and assembly instructions”

“Safety instructions for installation guide”

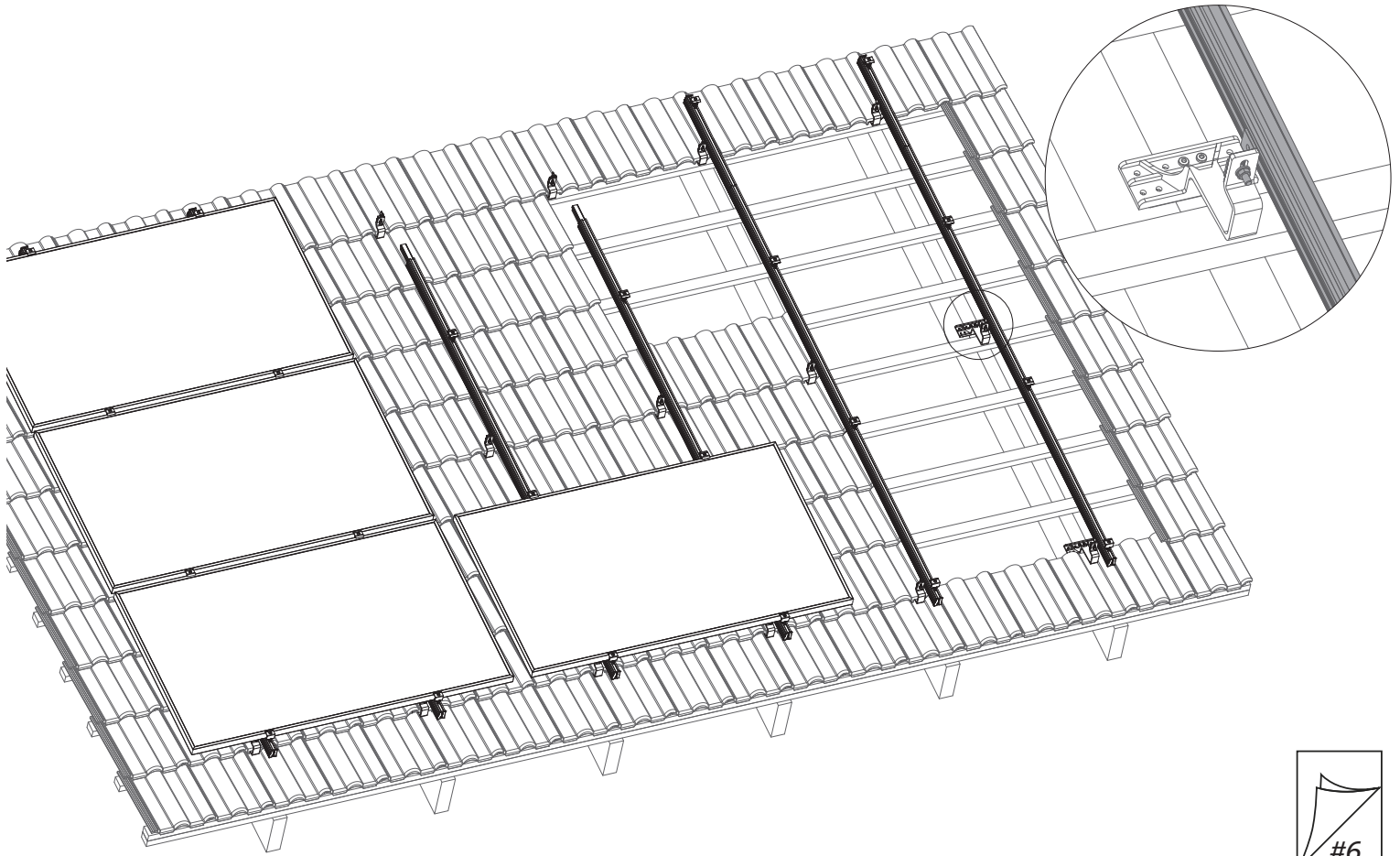
“Terms of warranty and exclusion of liability”

These documents are available in: www.renusol.com

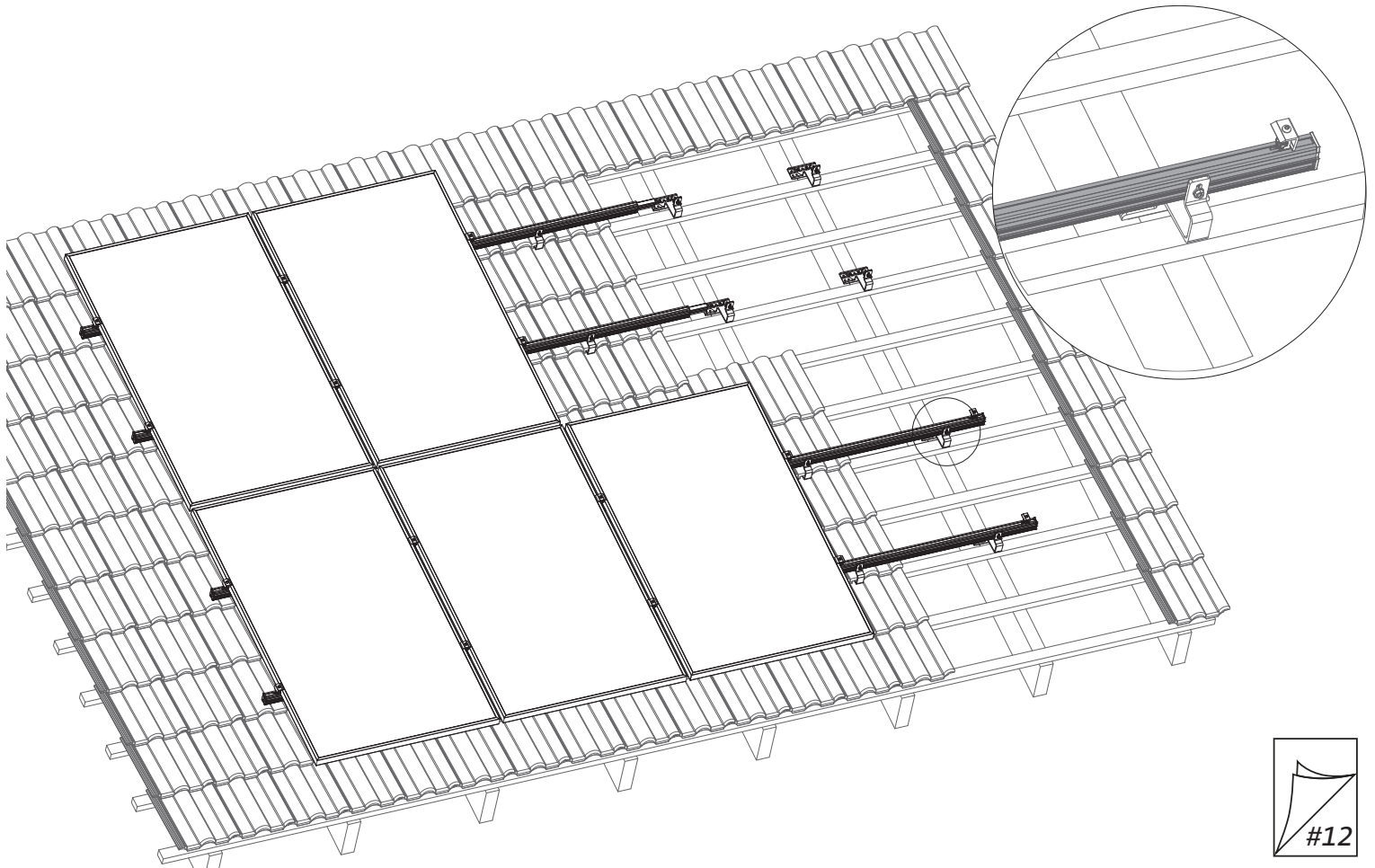
Terms of warranty:

Renusol's warranty only applies if the original, complete Renusol system is used and the terms of warranty are met. For the legally provided liability for defects/warranty, please see the General Terms and Conditions issued by Renusol.

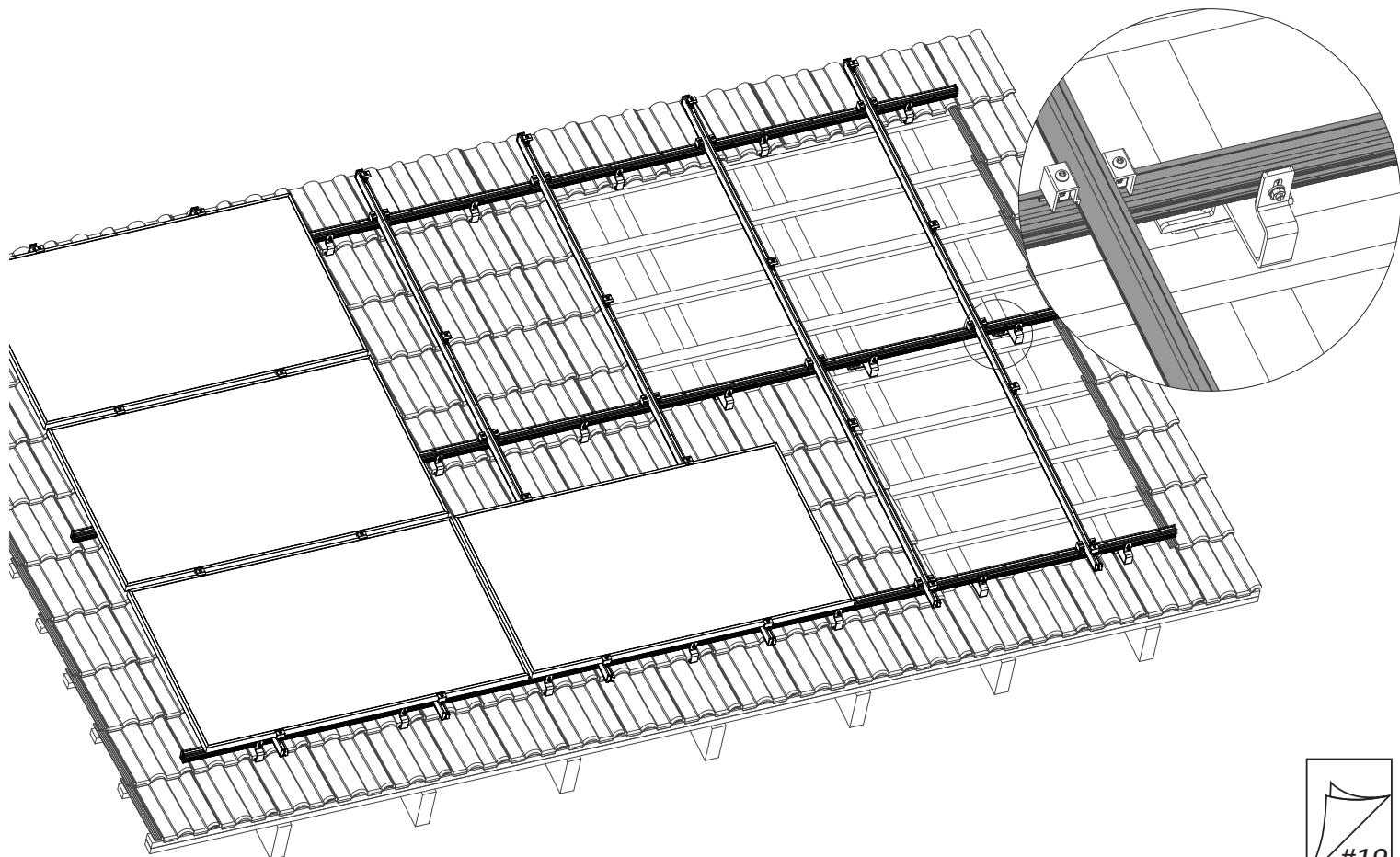
One-layer rail system - horizontal module alignment



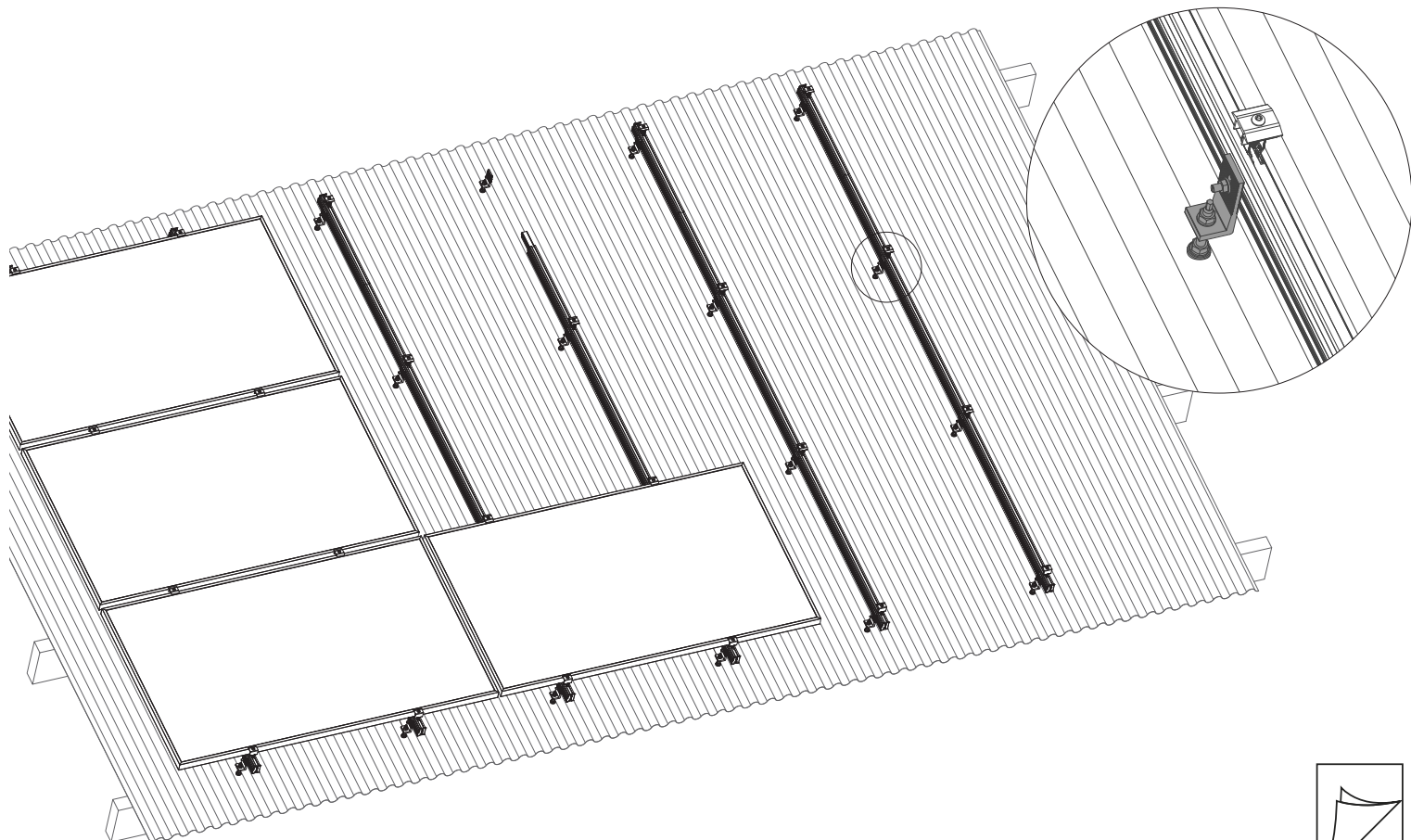
One-layer rail system - vertical module alignment



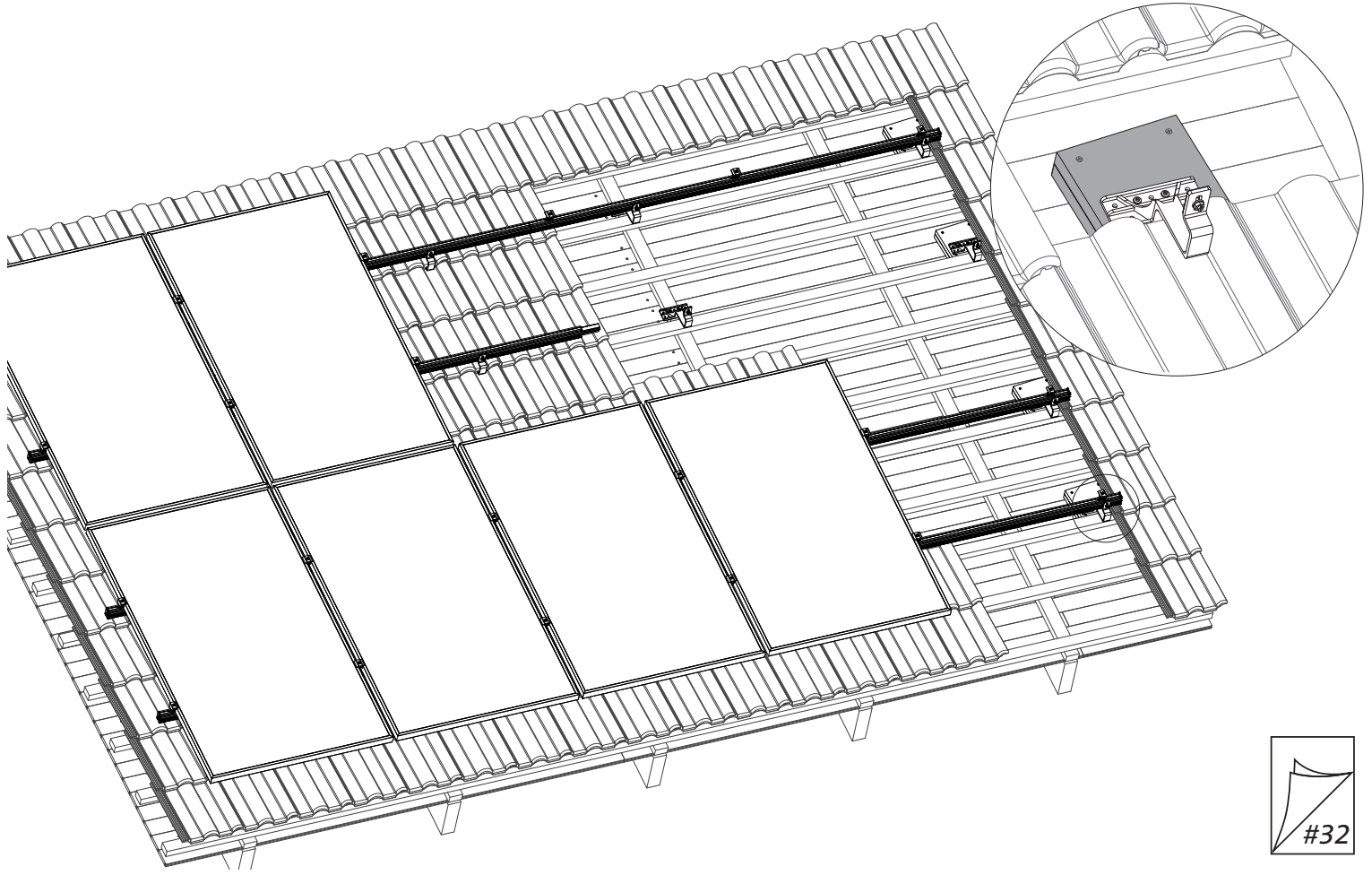
Two-layer rail system /cross rail system - horizontal module alignment



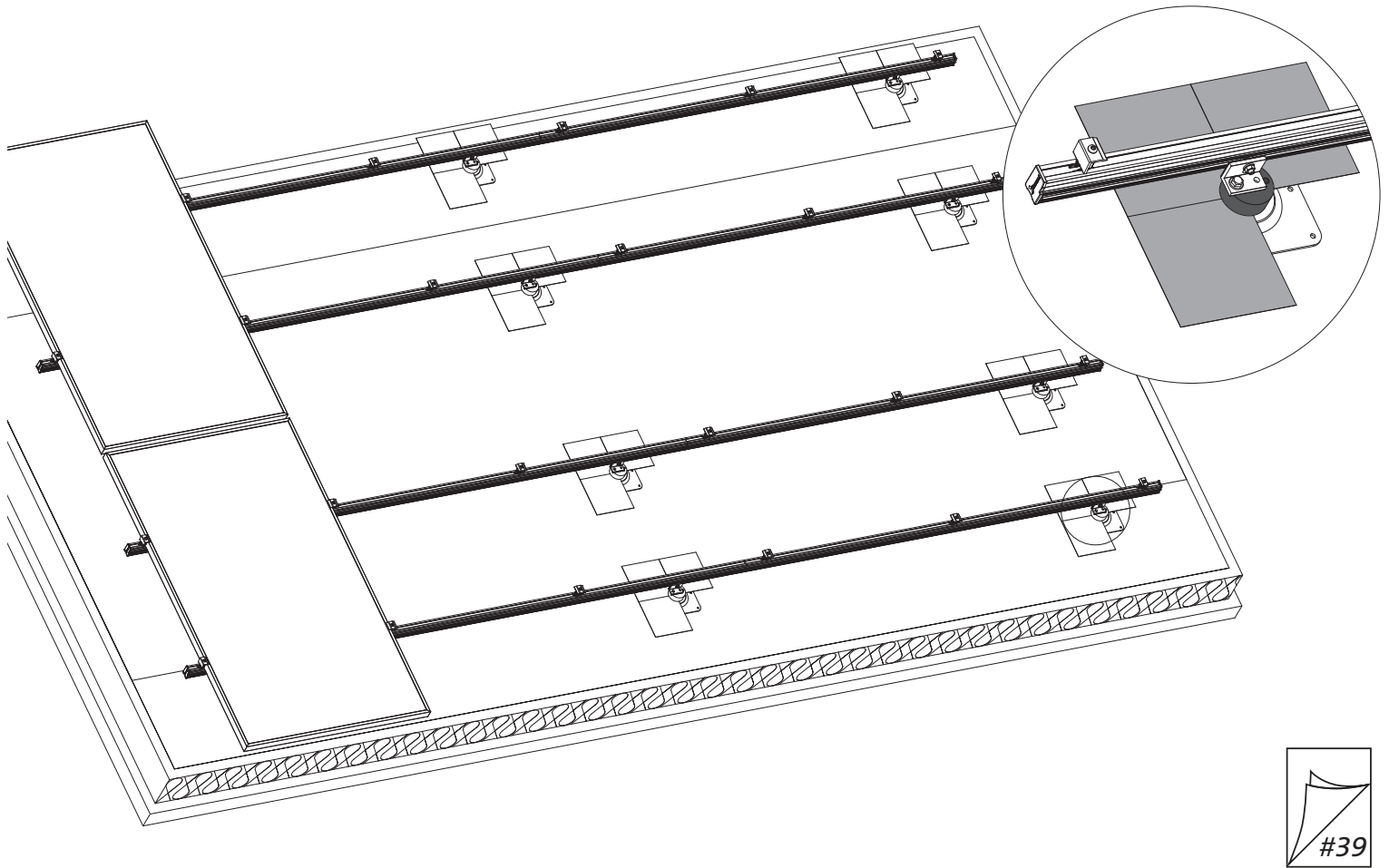
One-layer rail system with hanger bolts, - connection of solar fasteners - horizontal module alignment

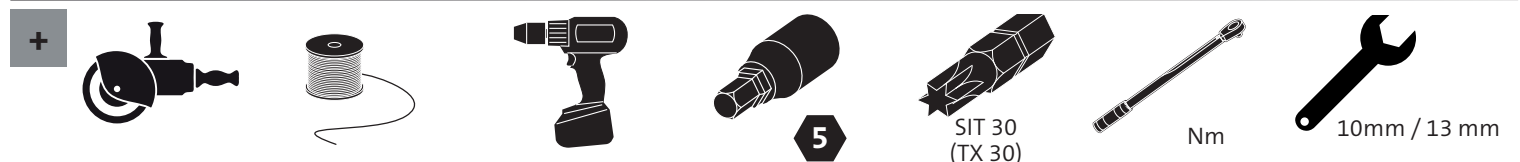
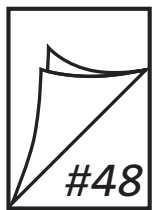
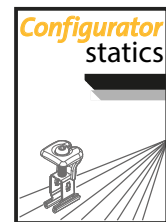
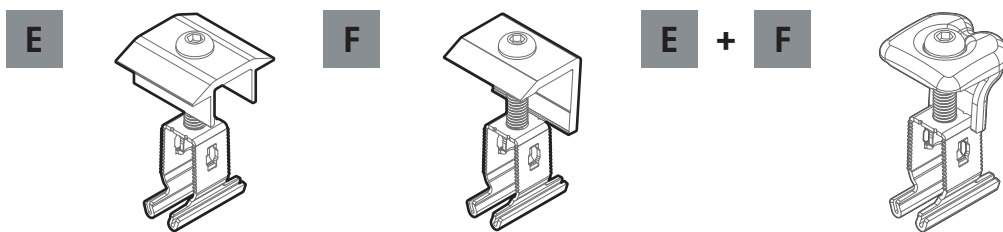
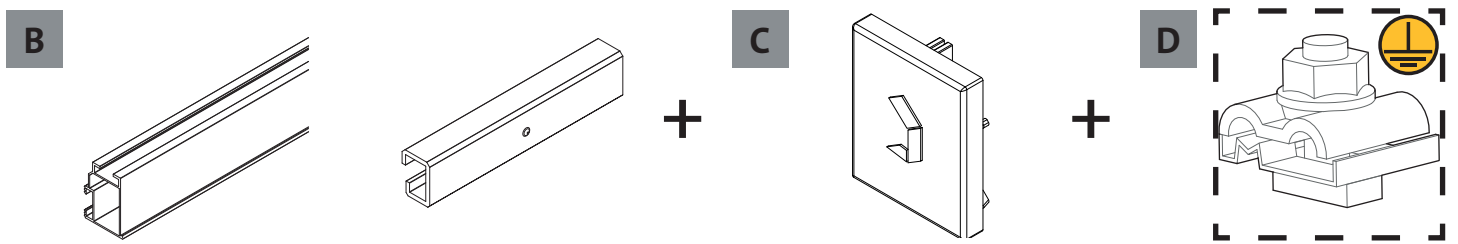
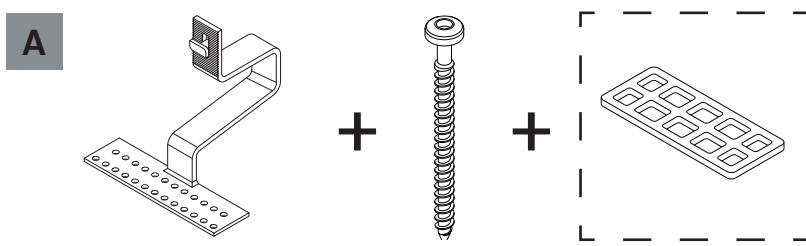
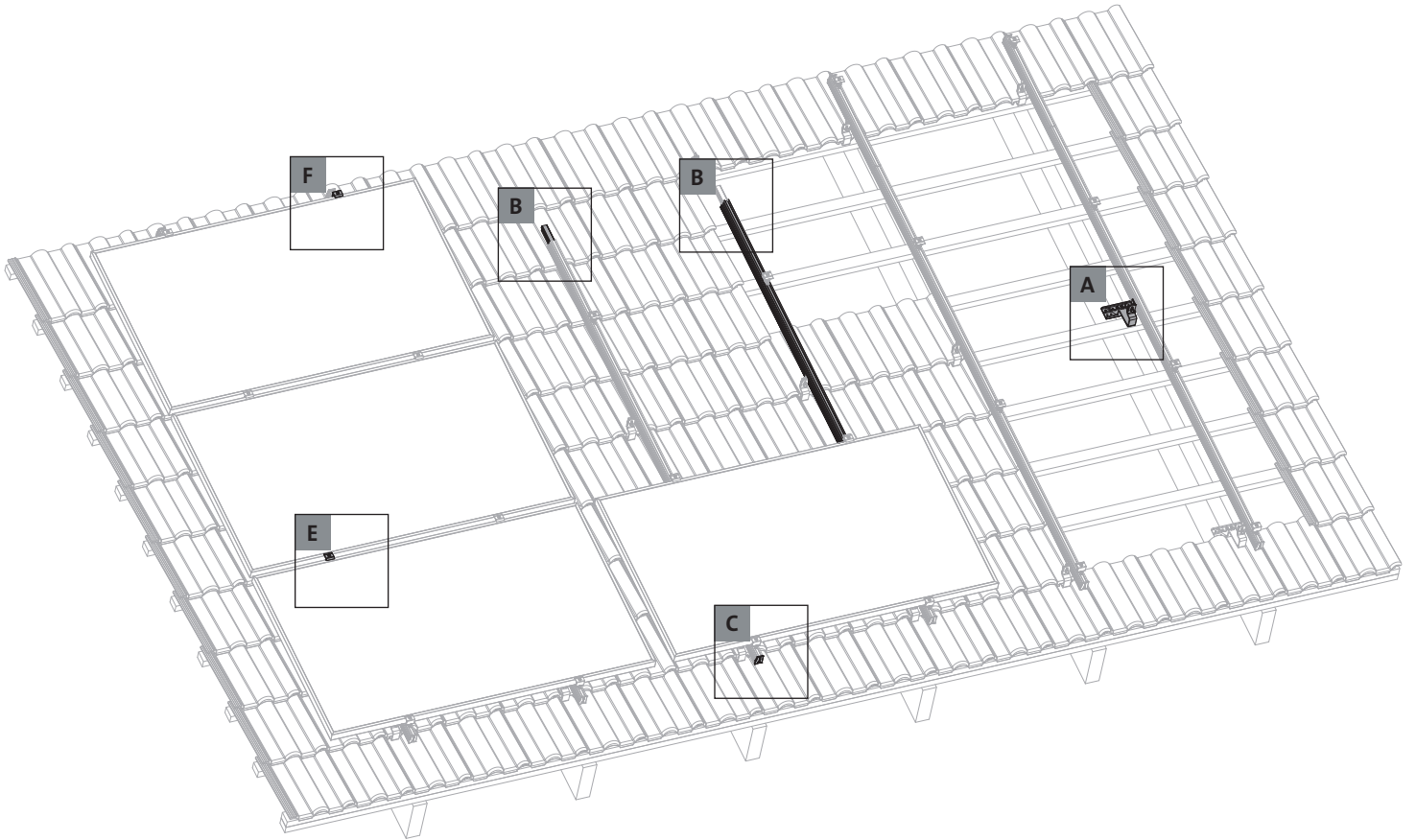


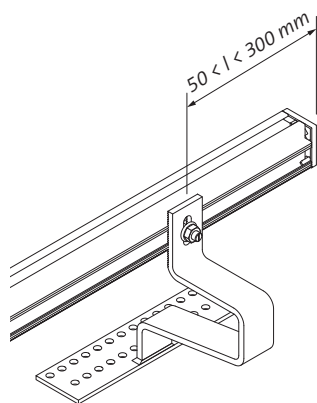
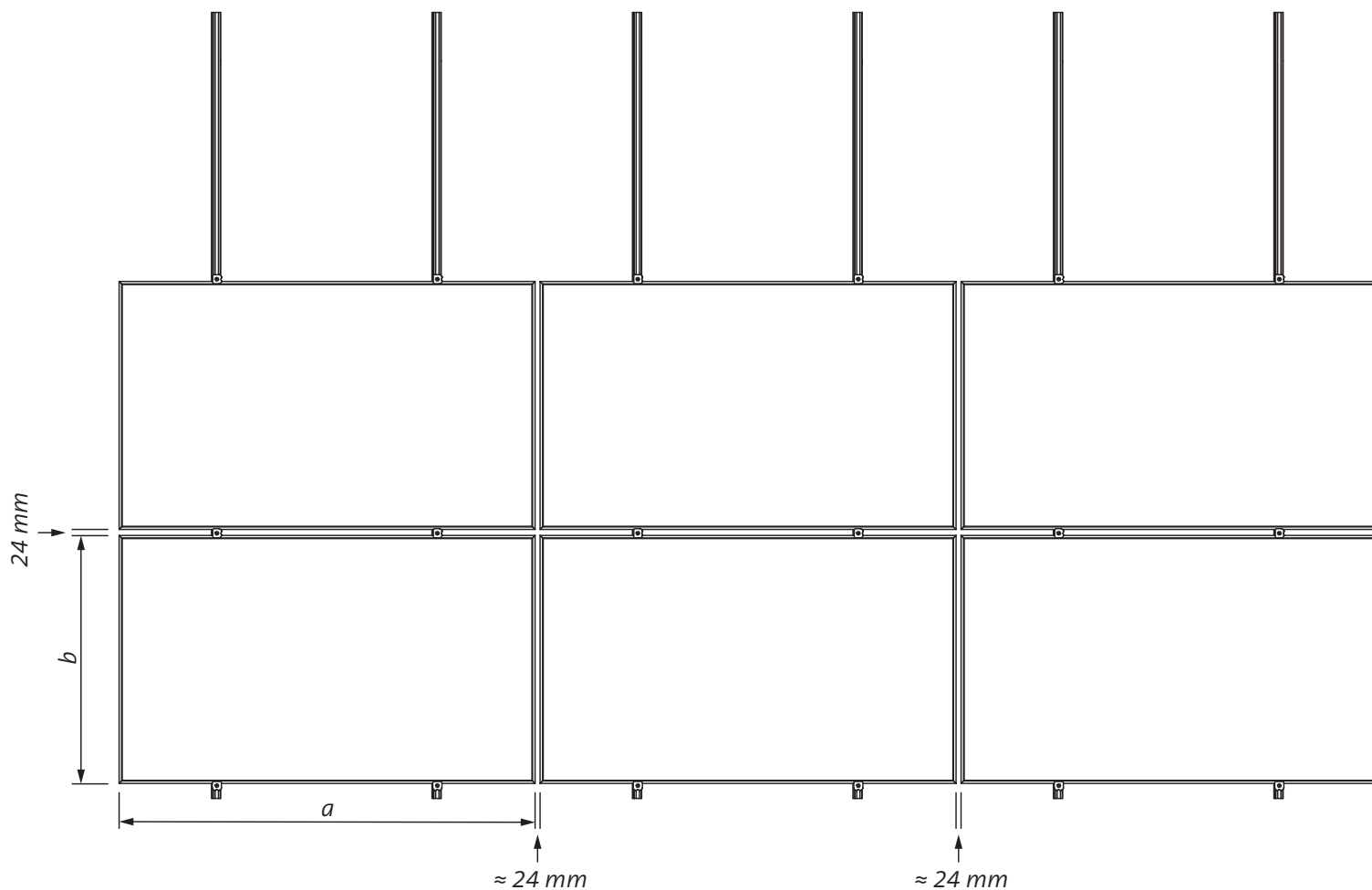
One-layer rail system on tongue and groove boards fixation - vertical module alignment



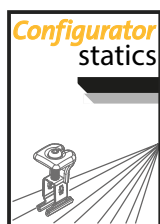
Connection to alternative fasteners



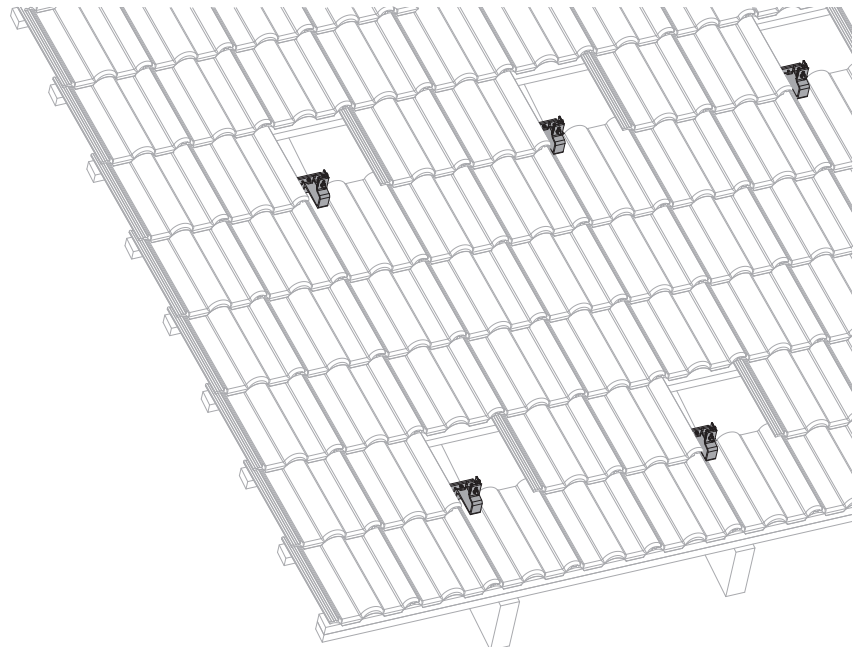
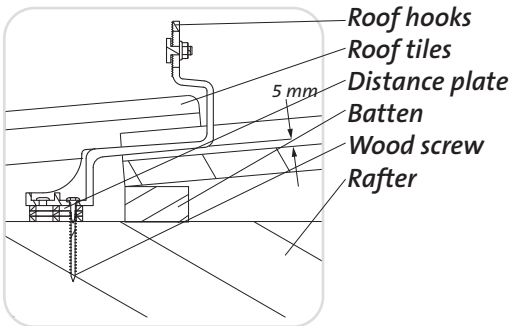
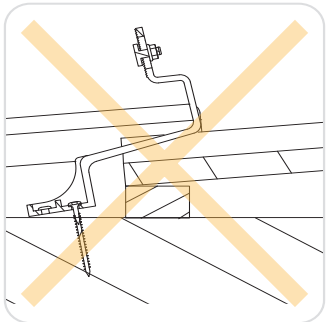
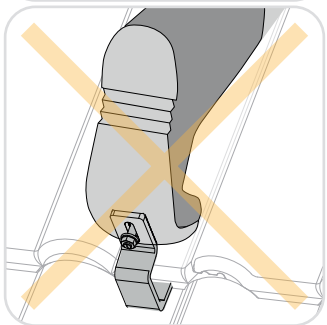
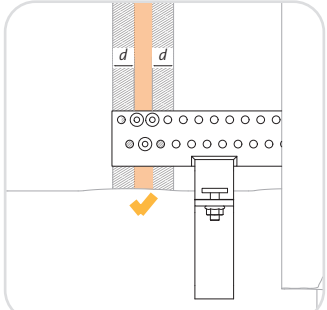
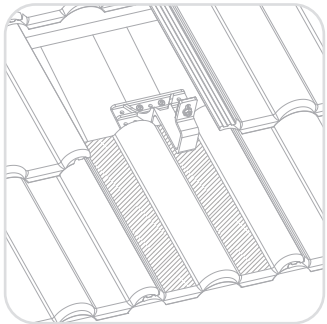
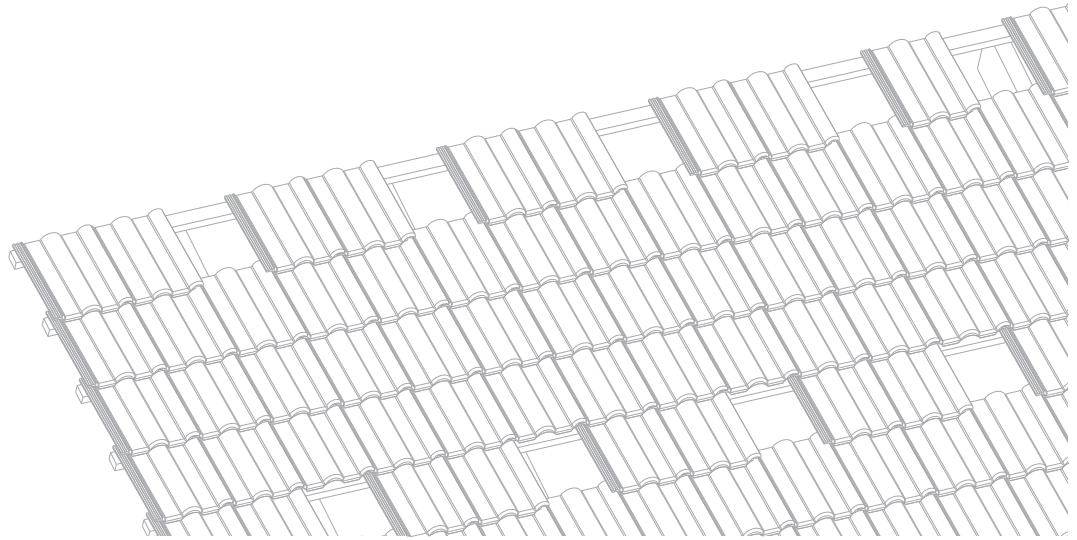




Without a structural analysis by means of the Renusol Configurator the length of the cantilever should not be longer than 300 mm.



- General instructions
- Static calculations
- Technical project overview
⇒ www.pv-configurator.com



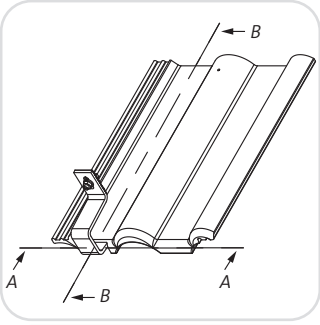
Warning!

Use the hole pattern of the roof hook to place the roof hook in the trough area of the tile. Screw the roof hook in the allowed area only. Keep a distance of $3 \times \varnothing$ of the wood screw to the outer edge of the rafter. Do not use the roof hook as step.

When mounted, the cantilever of the roof hook shall have a distance of approx. 5mm to the roof tile.

Please find the number of screws on [page 49-50](#).

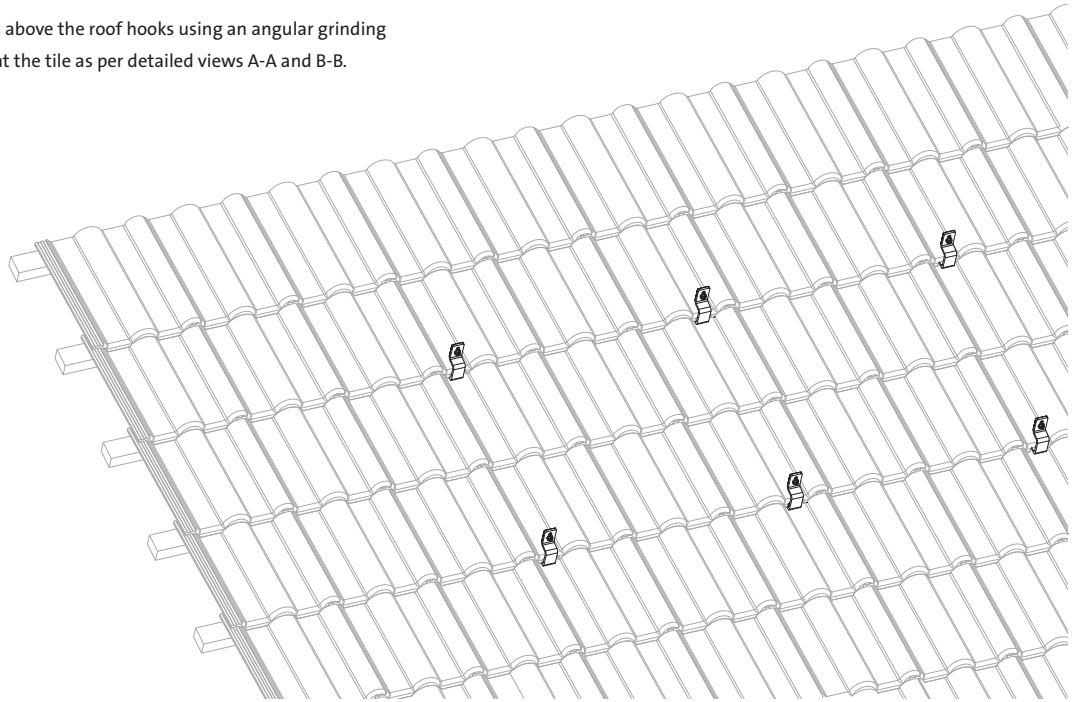
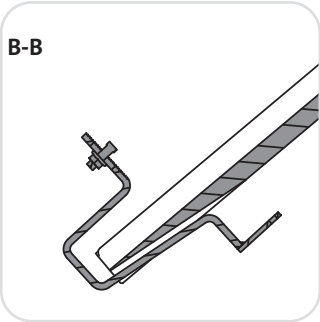
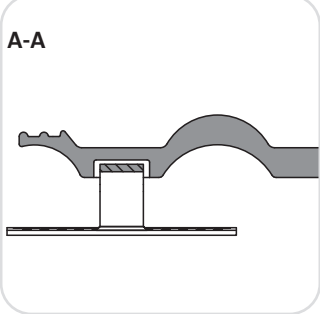
One-layer rail system - horizontal module alignment



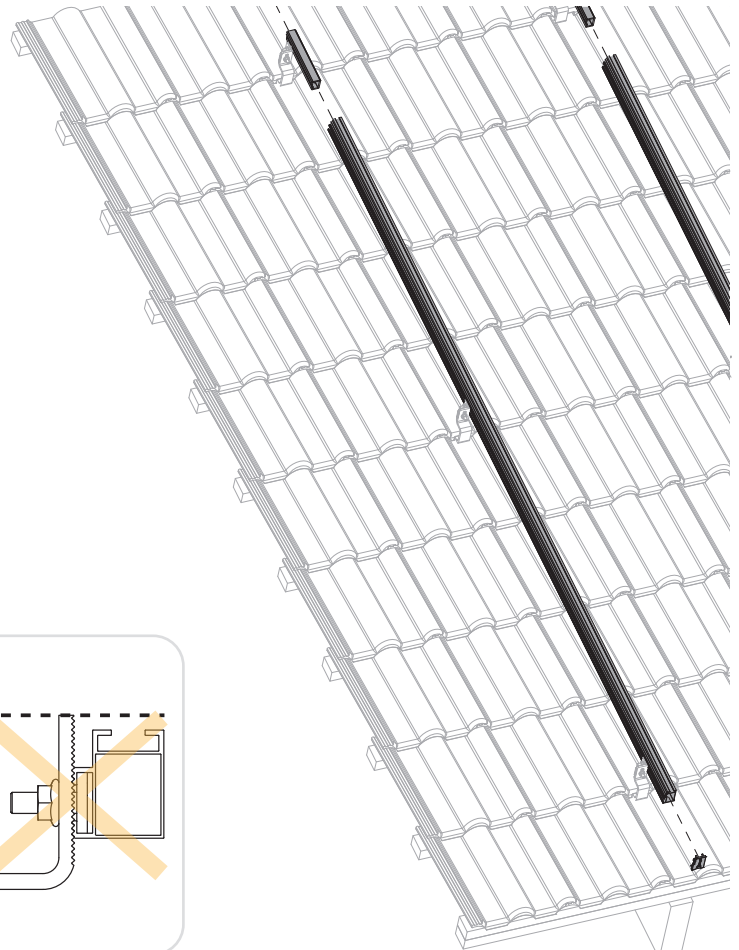
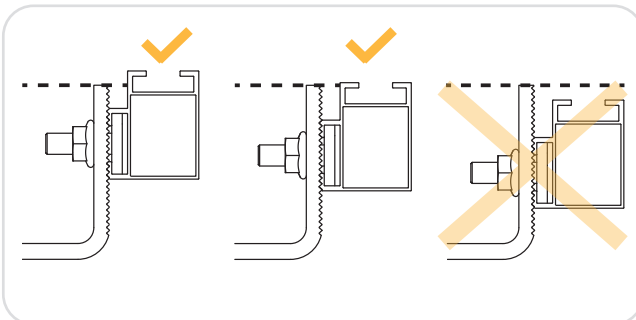
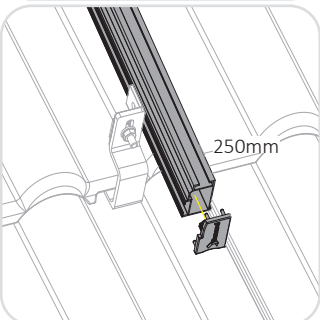
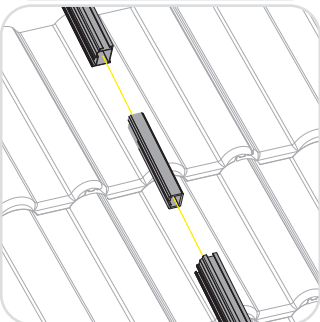
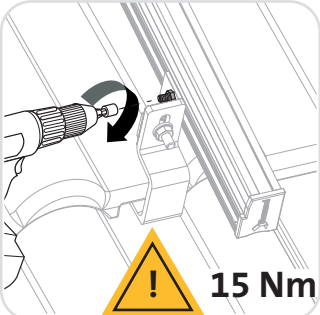
Warning!

The following treatment of tiles only applies to grooved tiles.
For flat tiles, please look at [page 44-46](#).

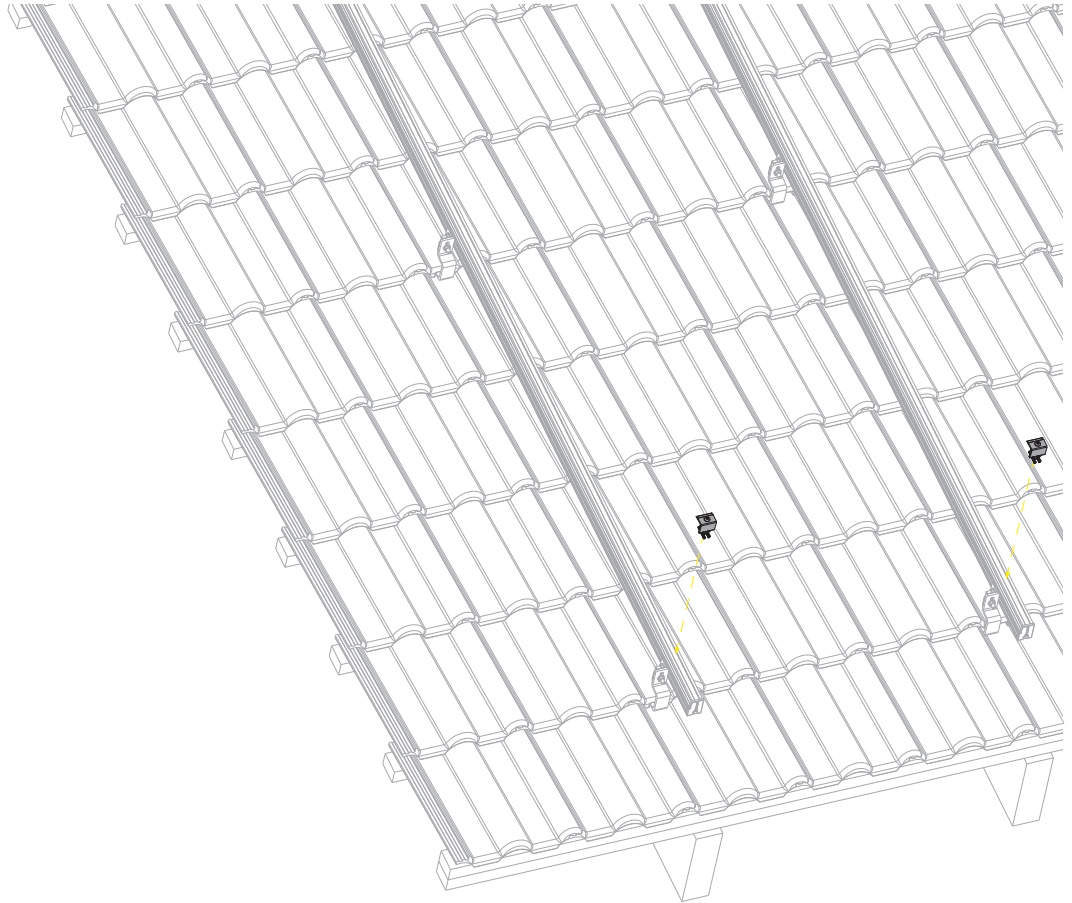
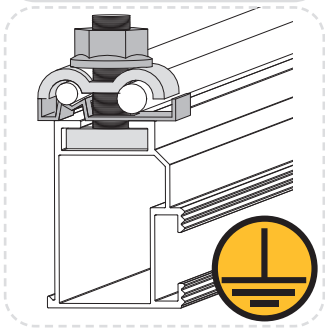
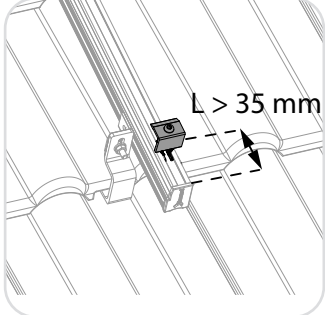
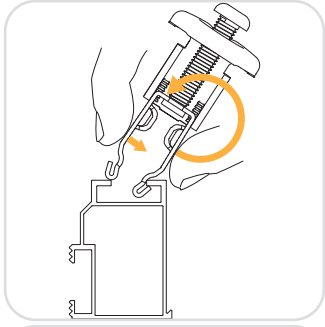
Treat the tiles above the roof hooks using an angular grinding machine.
Treat the tile as per detailed views A-A and B-B.



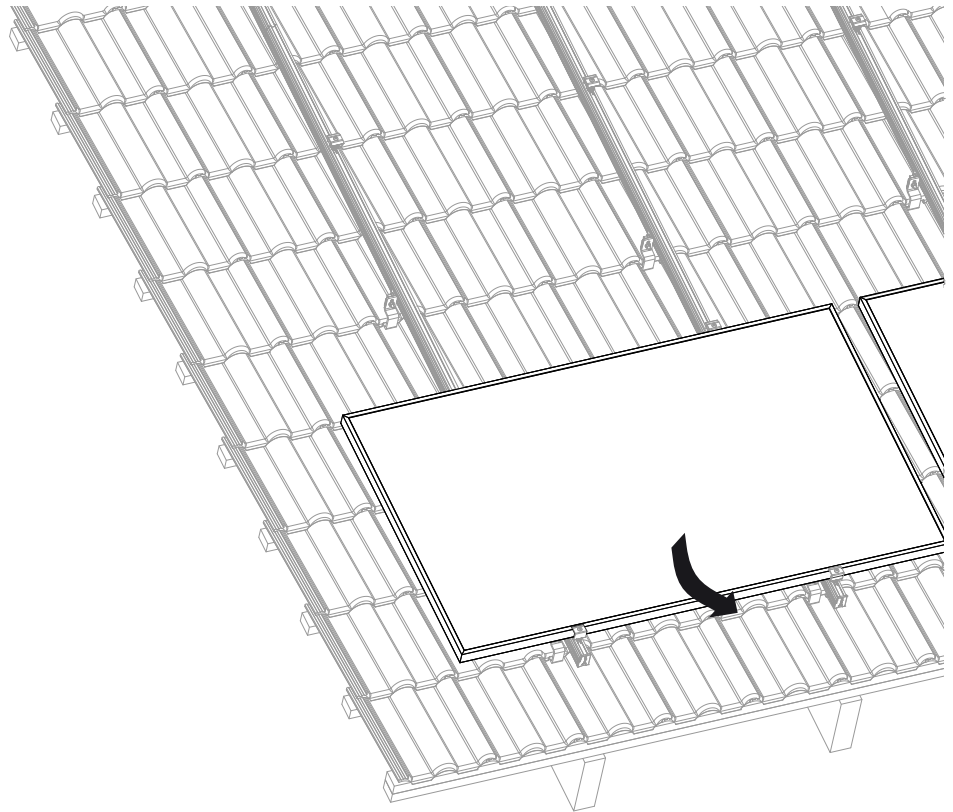
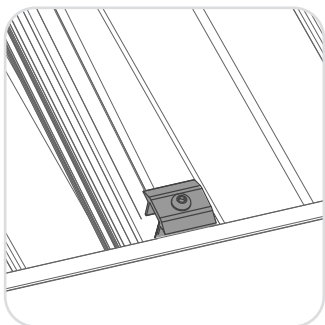
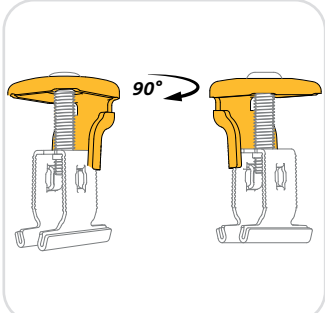
One-layer rail system - horizontal module alignment

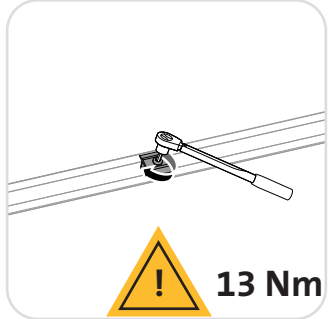
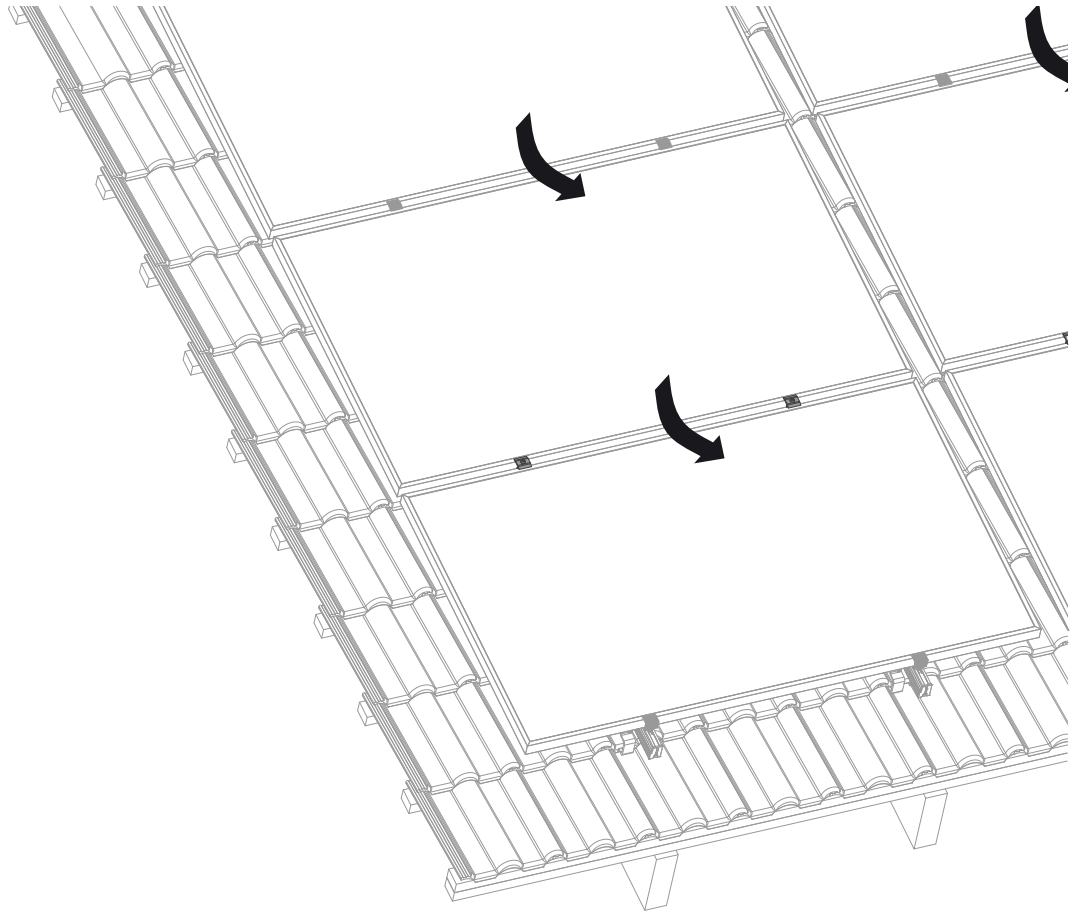


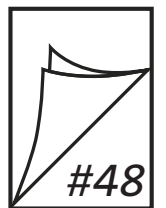
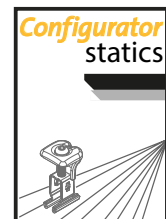
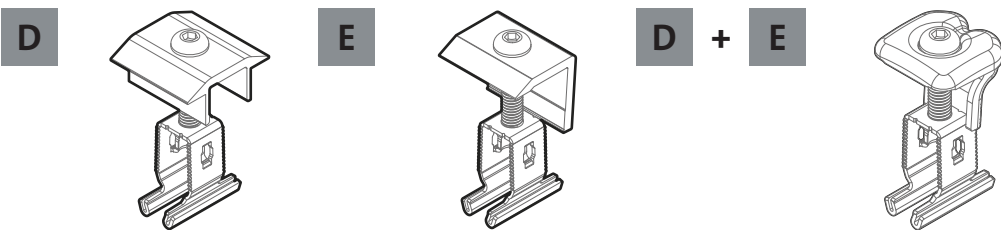
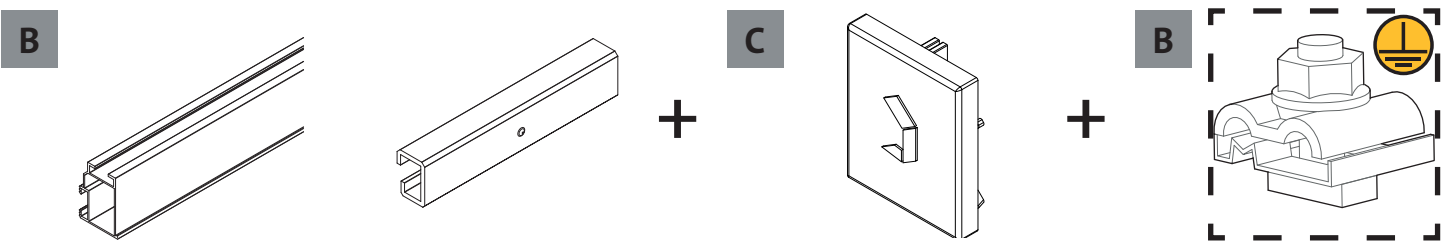
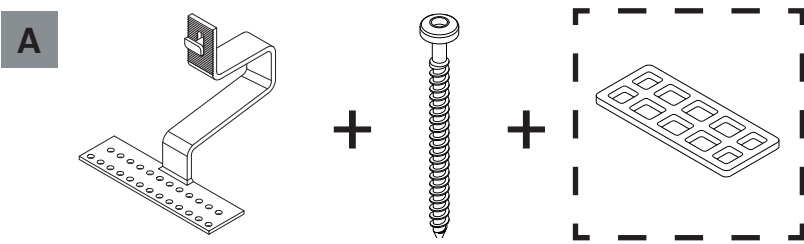
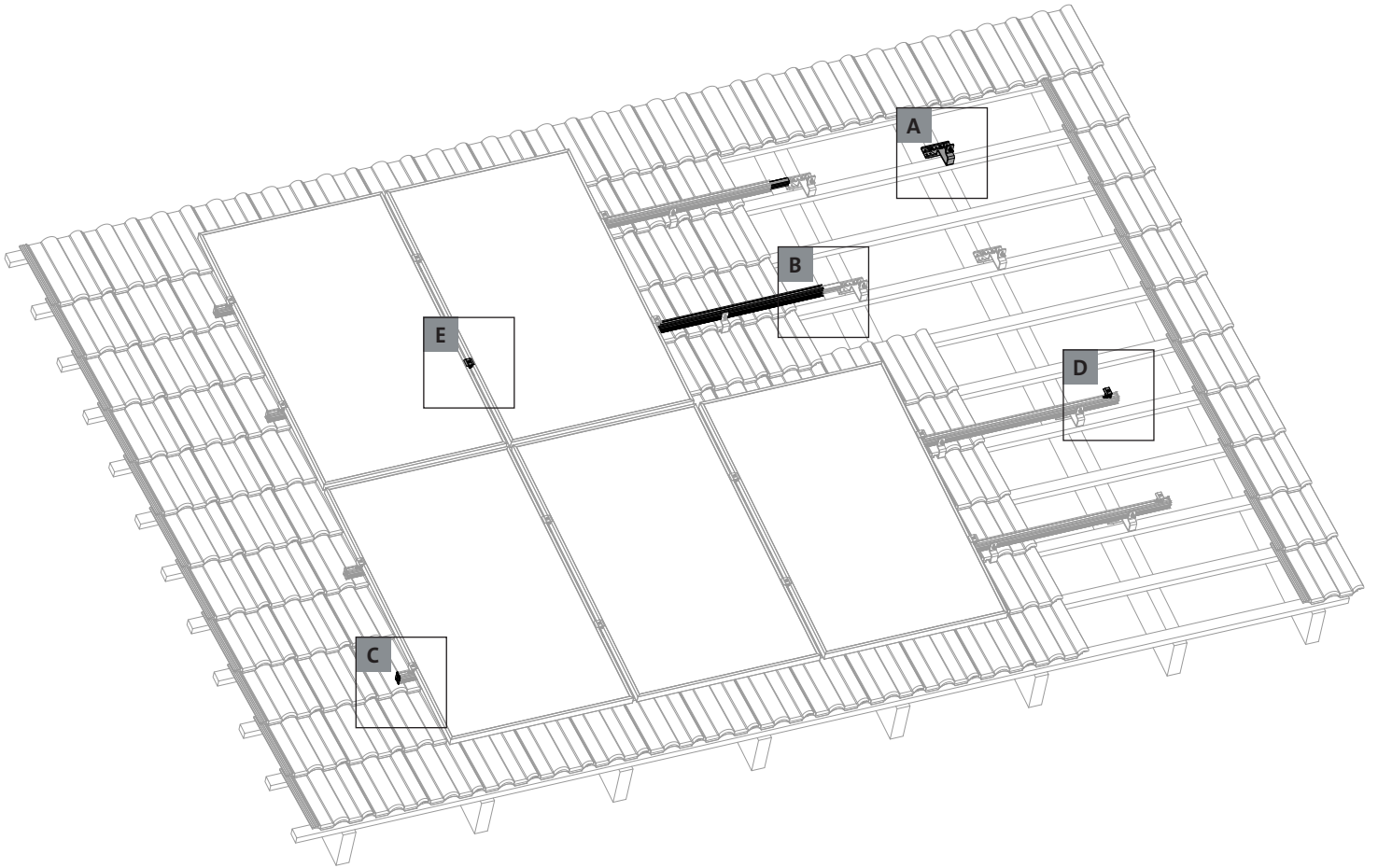
One-layer rail system - horizontal module alignment

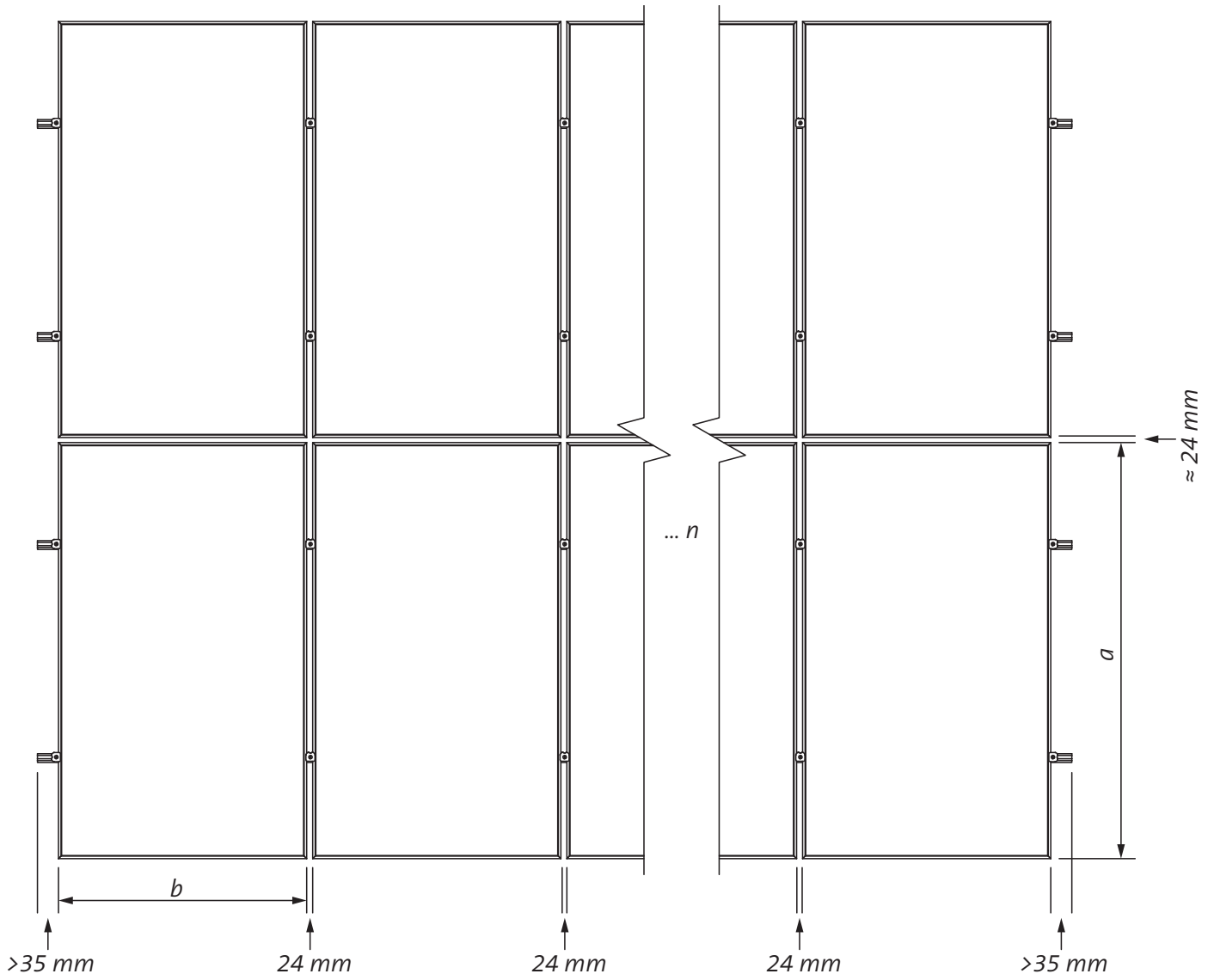


One-layer rail system - horizontal module alignment

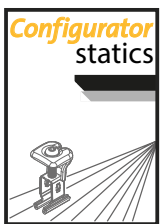
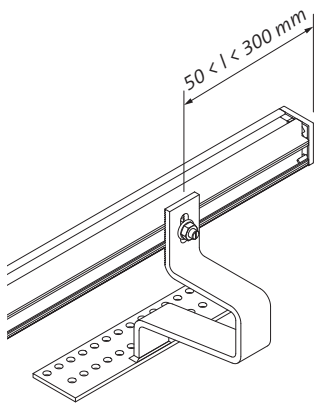




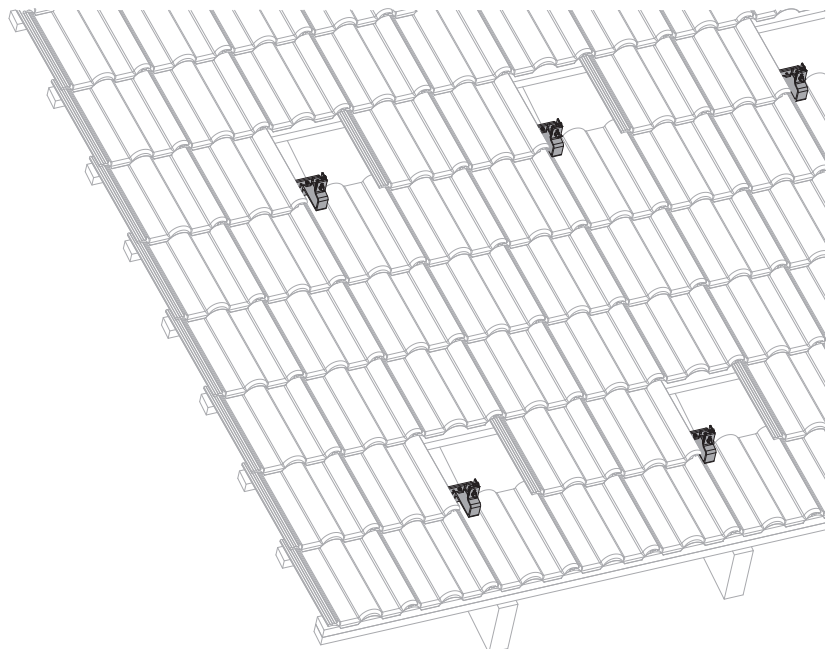
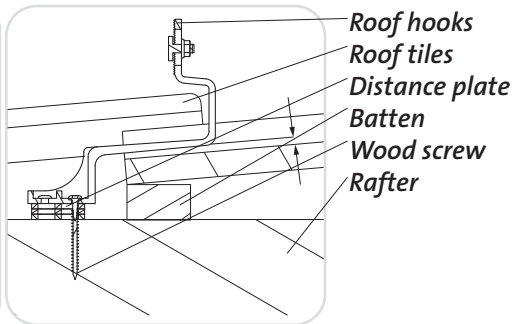
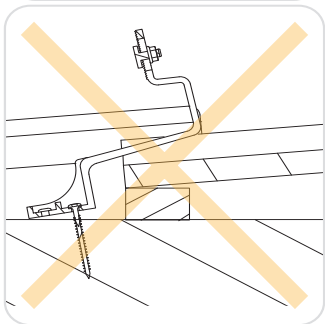
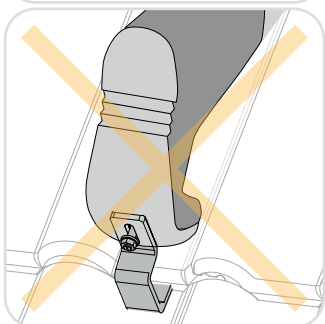
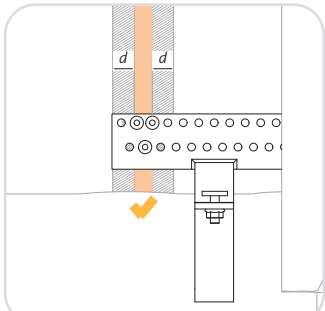
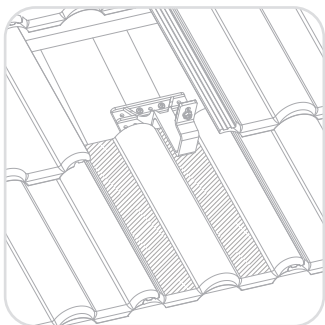
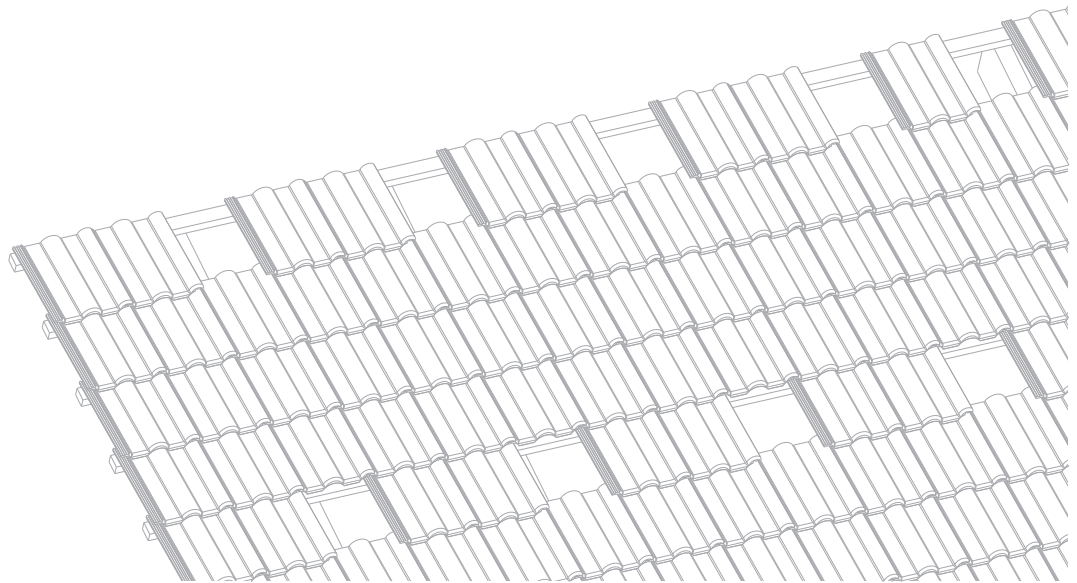




Without a structural analysis by means of the Renusol Configurator the length of the cantilever should not be longer than 300 mm.



- General instructions
 - Static calculations
 - Technical project overview
- ⇒ www.pv-configurator.com



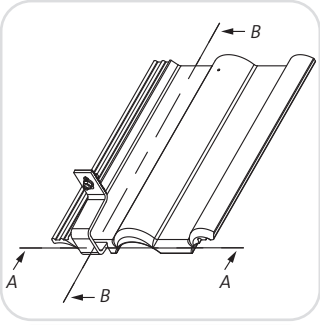
Warning!

Use the hole pattern of the roof hook to place the roof hook in the trough area of the tile. Screw the roof hook in the allowed area only. Keep a distance of $3 \times \varnothing$ of the wood screw to the outer edge of the rafter. Do not use the roof hook as step.

When mounted, the cantilever of the roof hook shall have a distance of approx. 5mm to the roof tile.

Please find the number of screws on *page 49-50*.

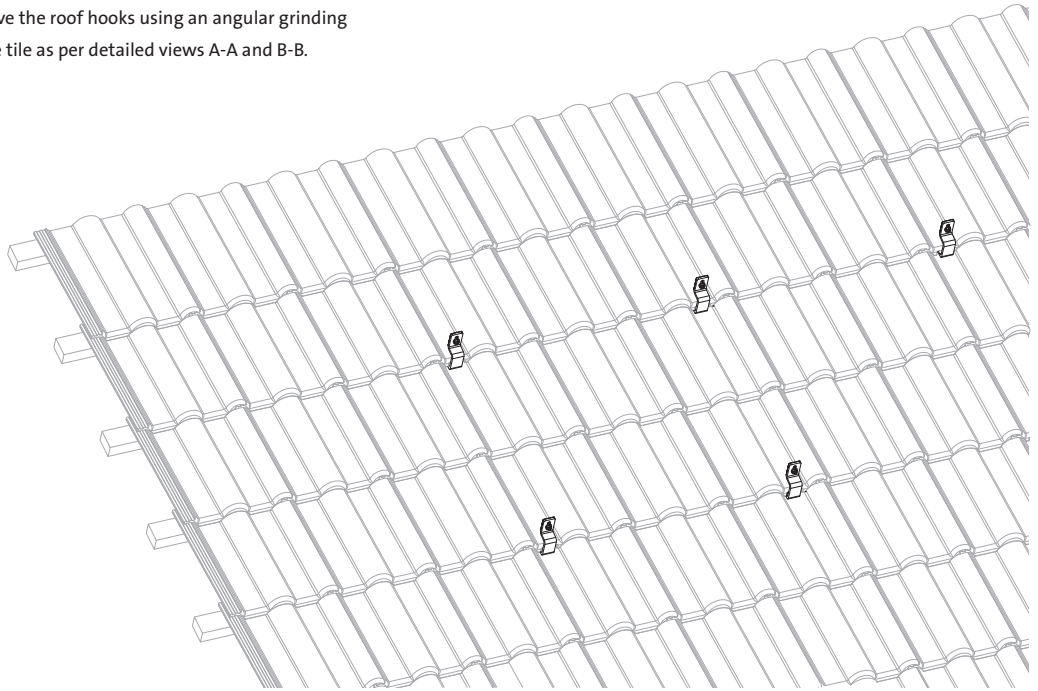
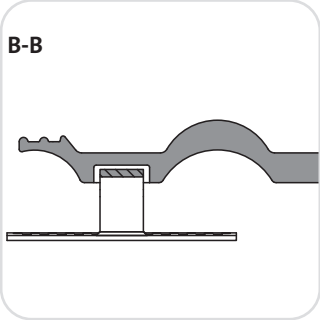
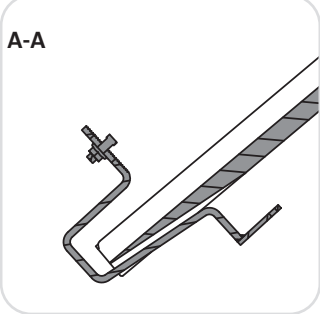
One-layer rail system - vertical module alignment



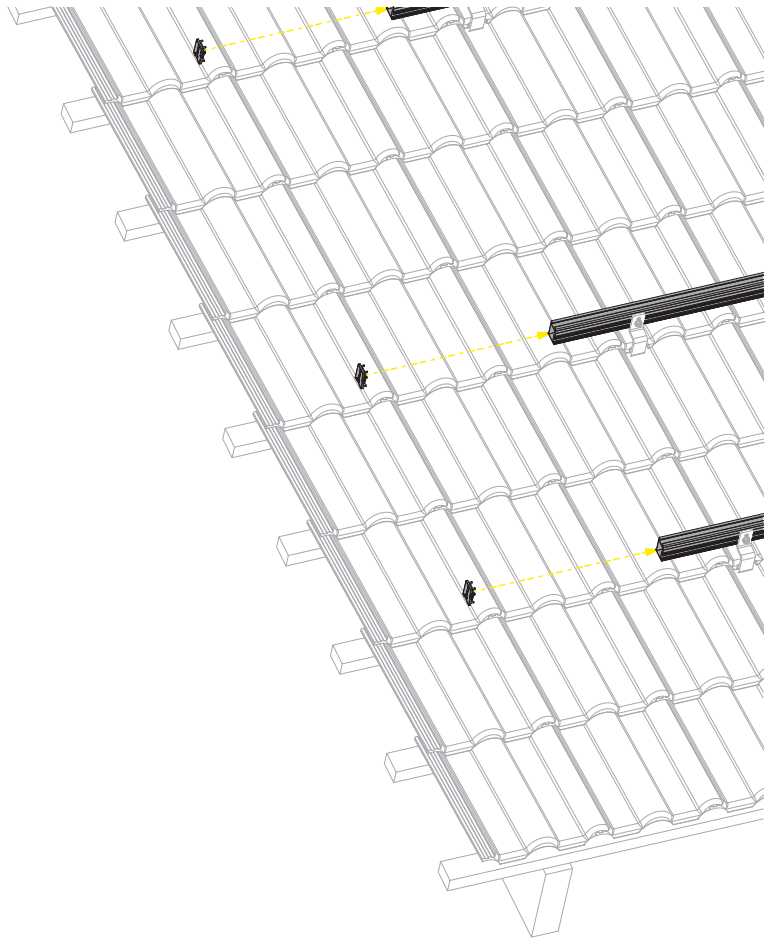
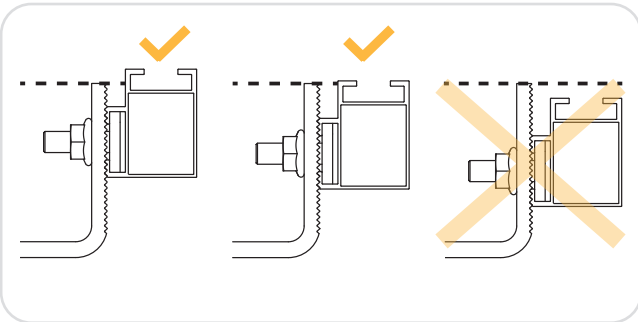
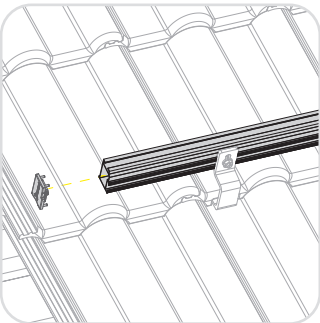
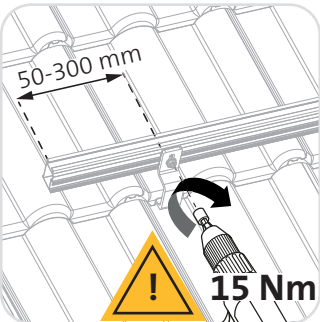
Warning!

The following treatment of tiles only applies to grooved tiles. For flat tiles, please look at [page 44-46](#).

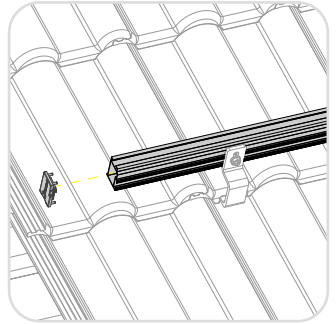
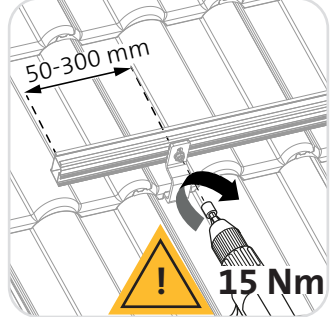
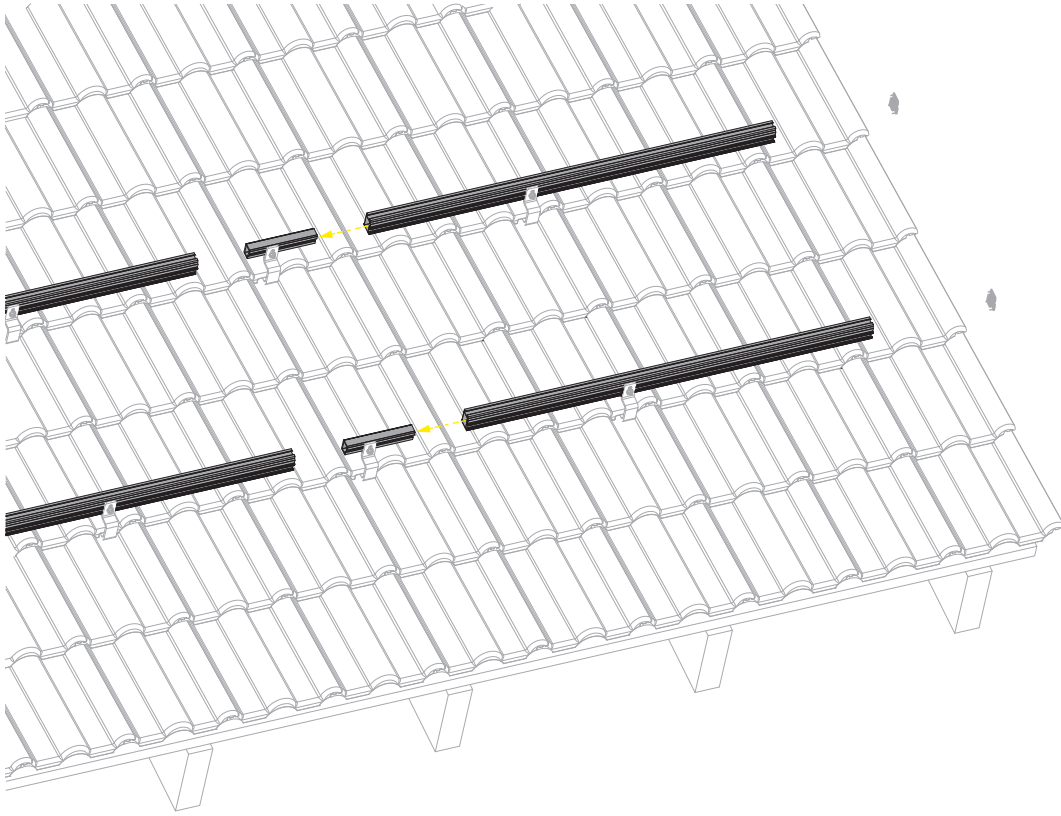
Treat the tiles above the roof hooks using an angular grinding machine. Treat the tile as per detailed views A-A and B-B.



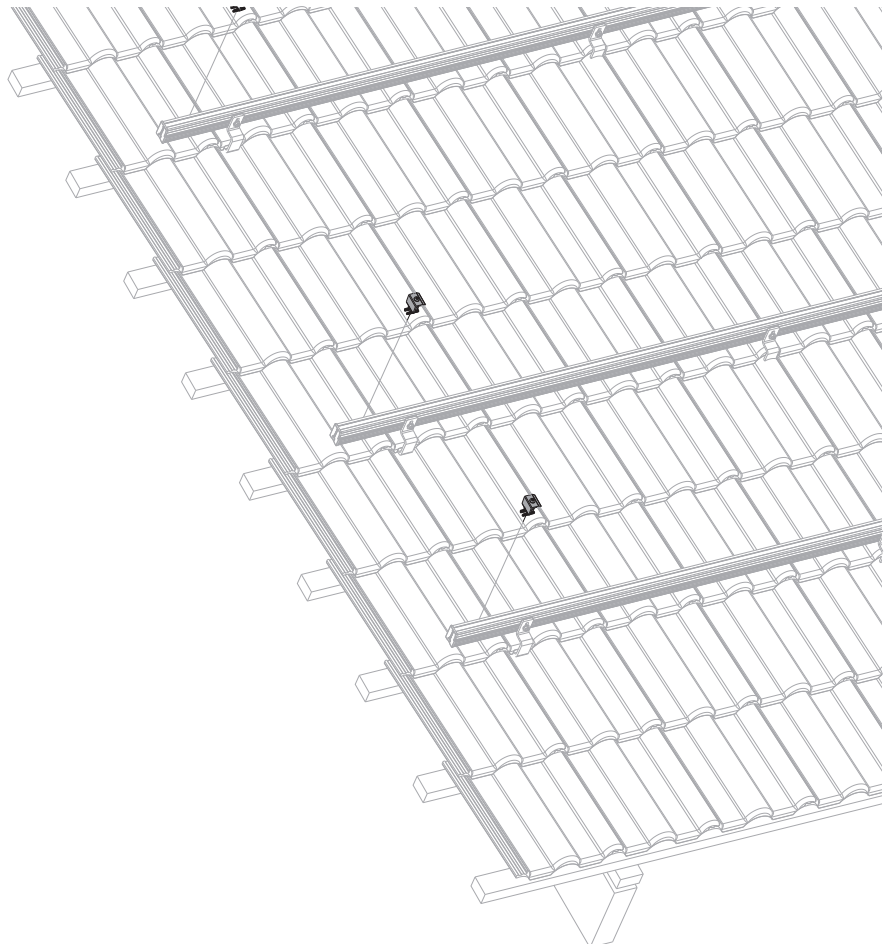
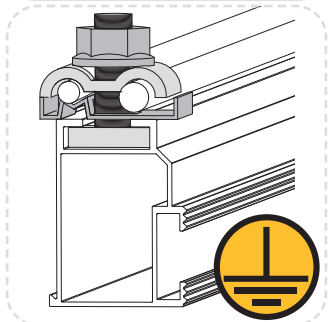
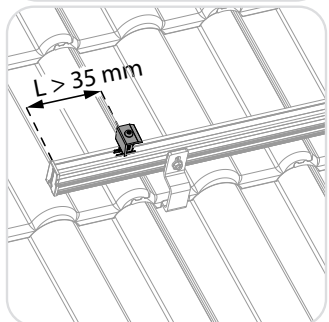
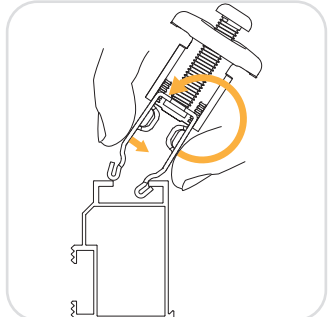
One-layer rail system - vertical module alignment



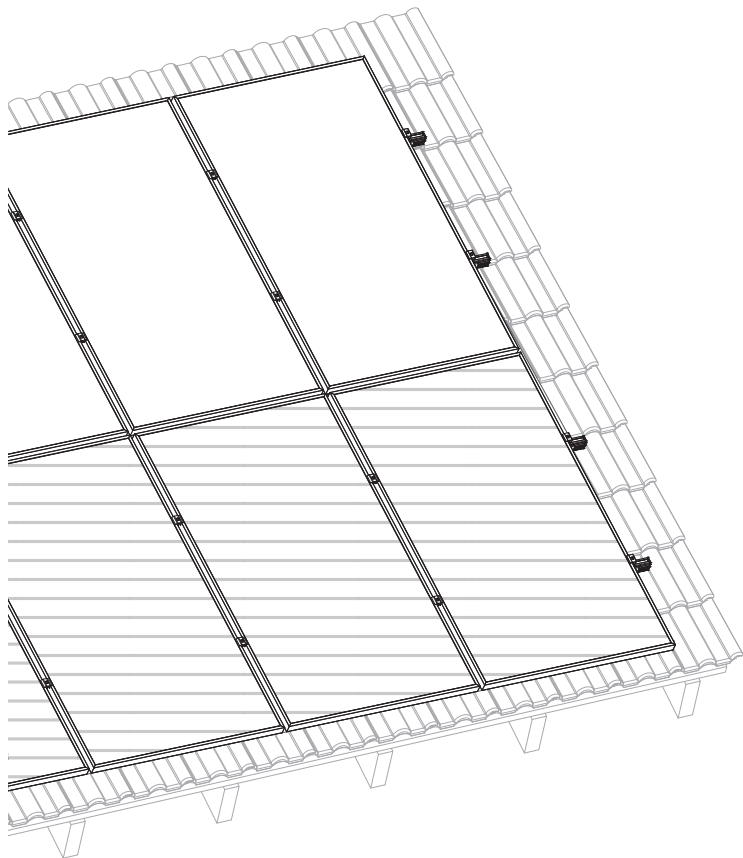
One-layer rail system - vertical module alignment



One-layer rail system - vertical module alignment



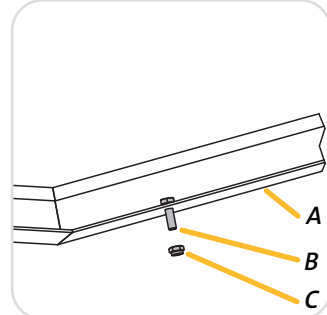
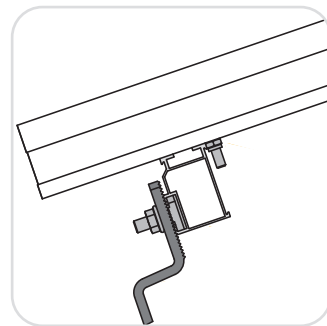
One-layer rail system - vertical module alignment



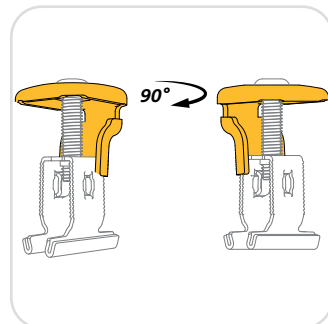
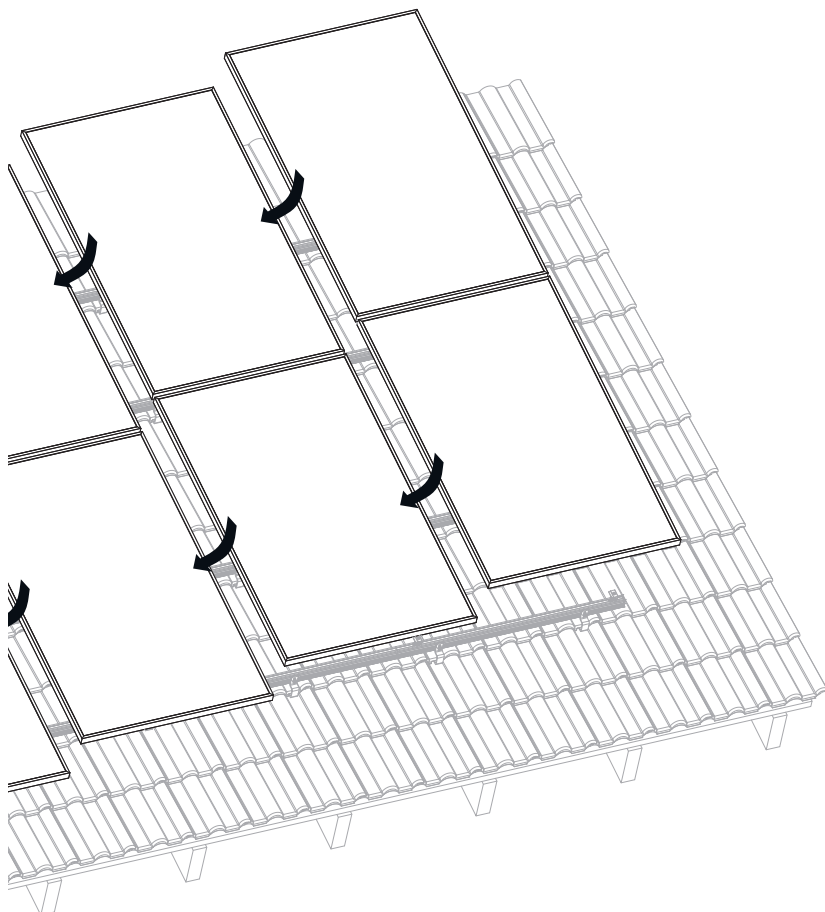
Warning!
Before installing the modules, the modules of the lowest row should be provided with anti-slip protection.

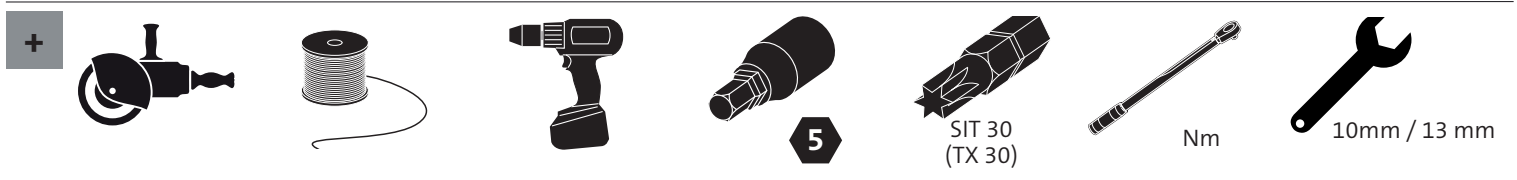
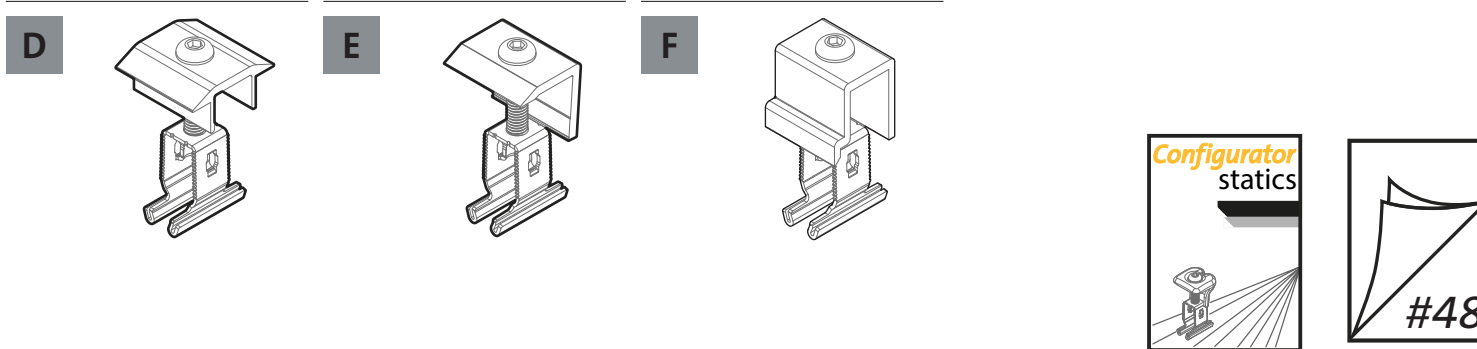
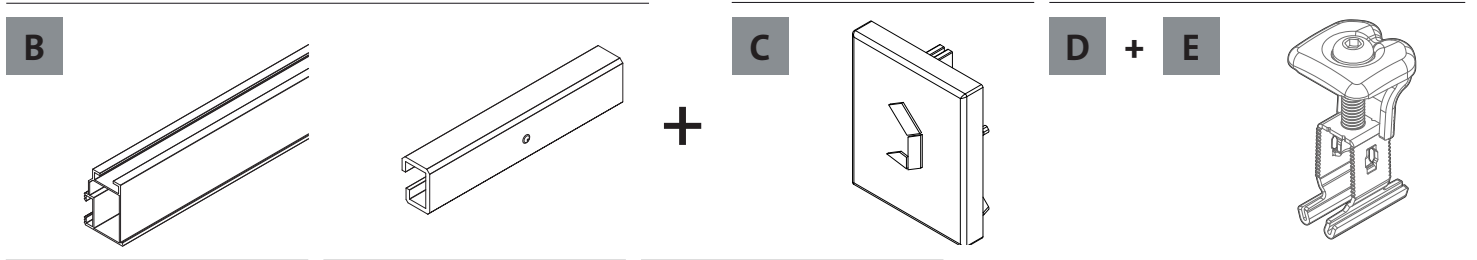
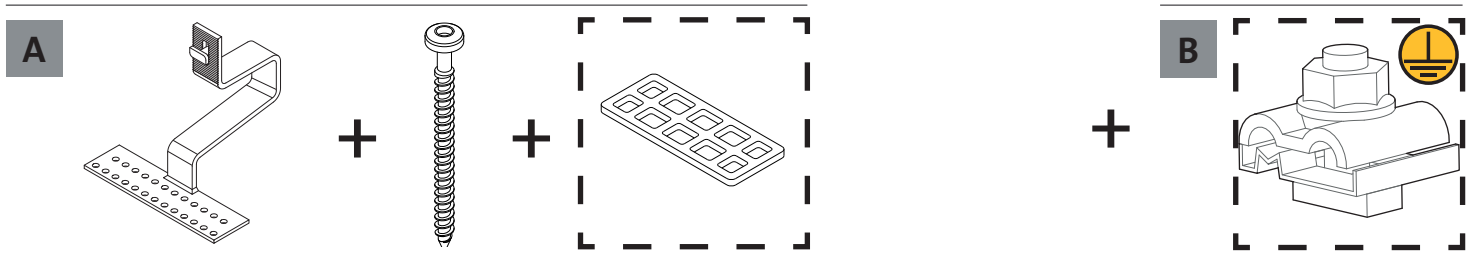
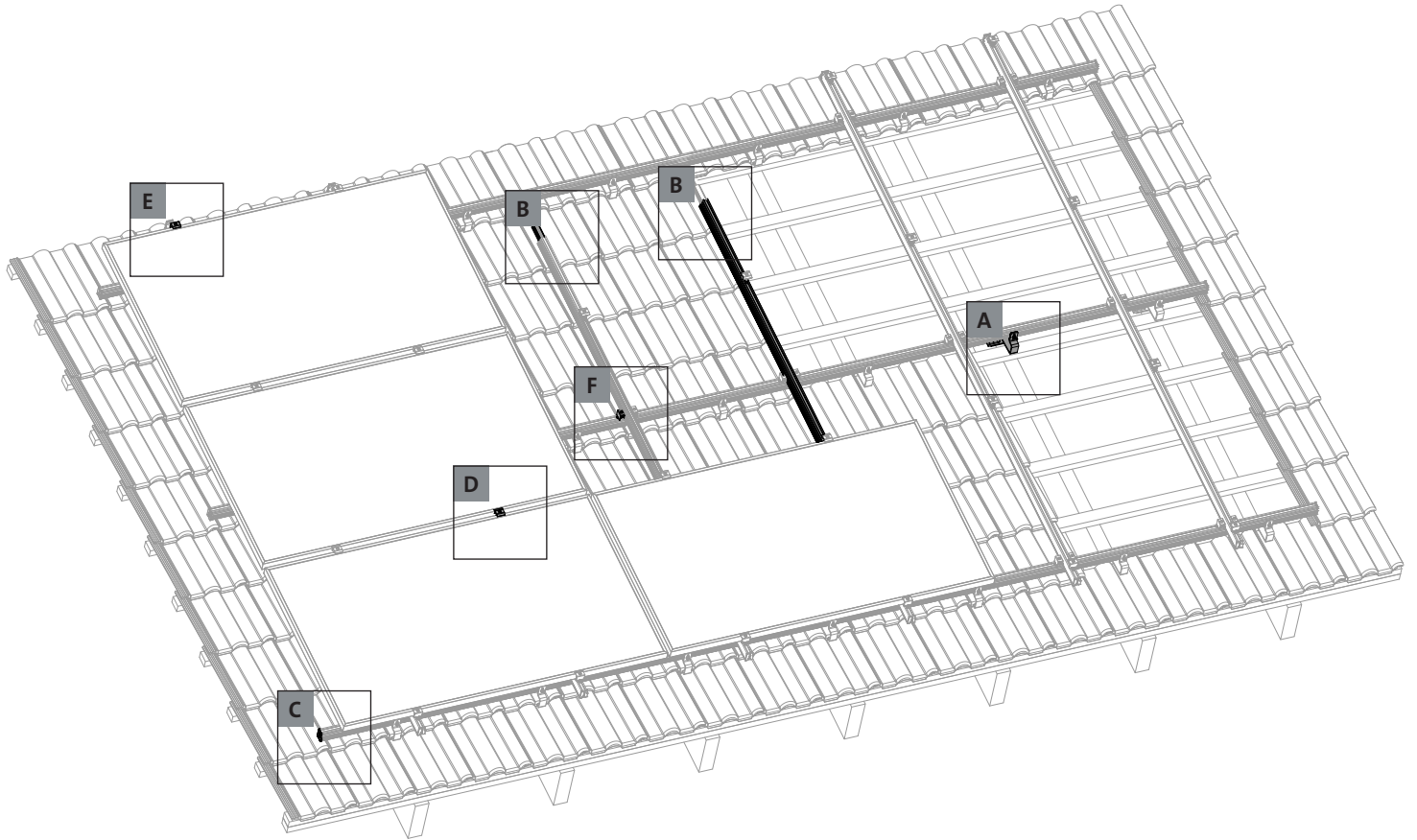
For this purpose fasten the M6x20 mm screws (with the shaft/thread pointing downwards) in the fastening points of the modules using M6 nuts. Place the modules in the lowest row in a way that the anti-slip protection abuts and the edge of the lowest mounting rail (Fig. B) touches.

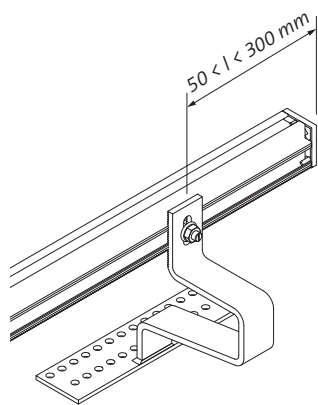
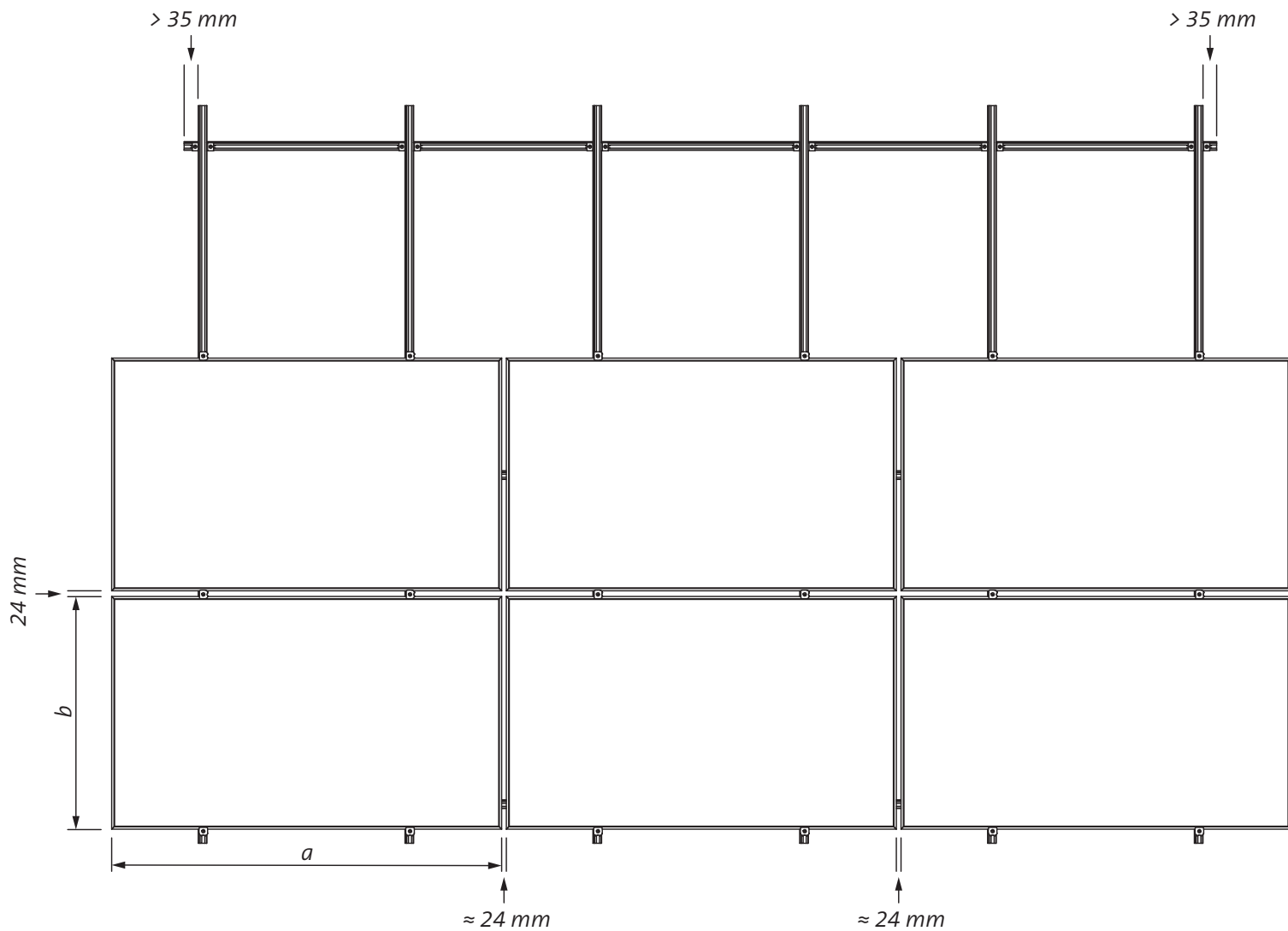
Note: The anti-slip protection can only be used with modules with the appropriate fastening holes.



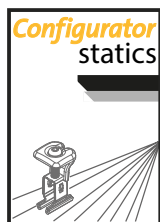
One-layer rail system - vertical module alignment





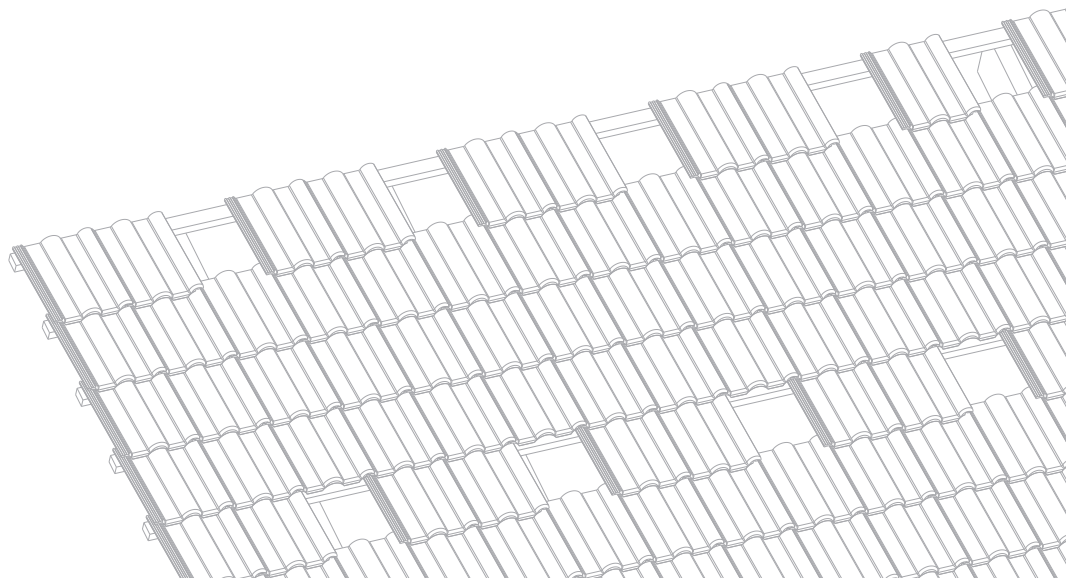


Without a structural analysis by means of the Renusol Configurator the length of the cantilever should not be longer than 300 mm.

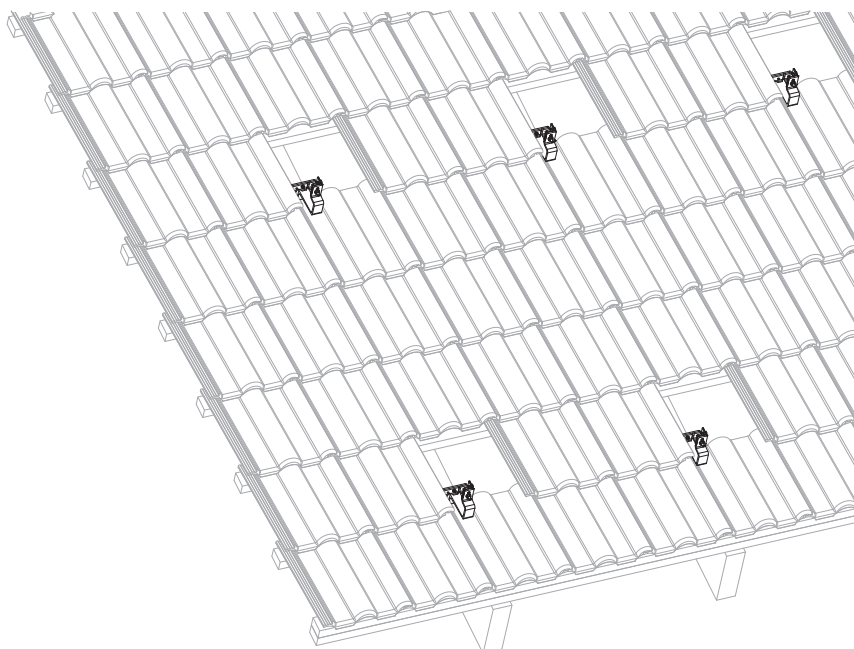
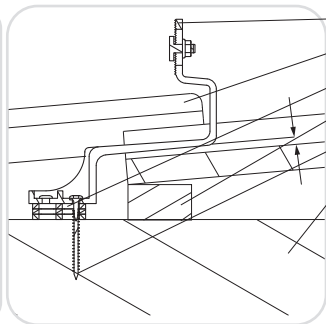
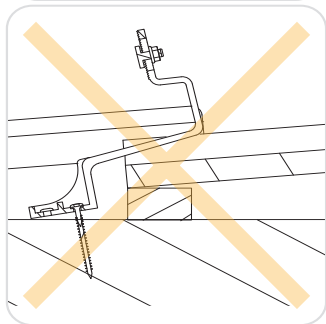
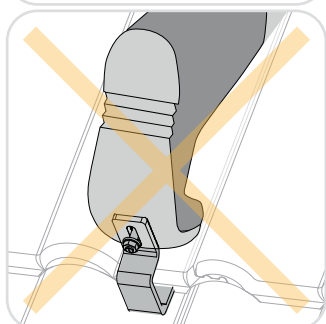
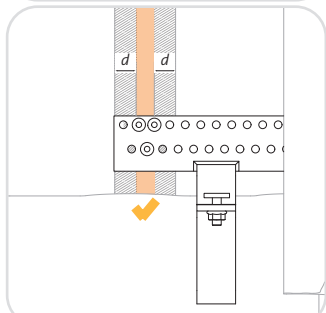
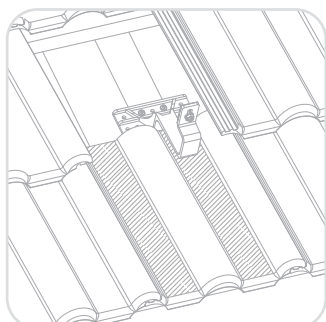


- General instructions
- Static calculations
- Technical project overview
 ⇒ www.pv-configurator.com

Two-layer rail system - horizontal module alignment



Two-layer rail system - horizontal module alignment



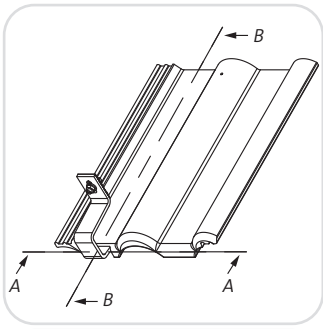
Warning!

Use the hole pattern of the roof hook to place the roof hook in the trough area of the tile. Screw the roof hook in the allowed area only. Keep a distance of $3 \times \varnothing$ of the wood screw to the outer edge of the rafter. Do not use the roof hook as step.

When mounted, the cantilever of the roof hook shall have a distance of approx. 5mm to the roof tile.

Please find the number of screws on page 49-50.

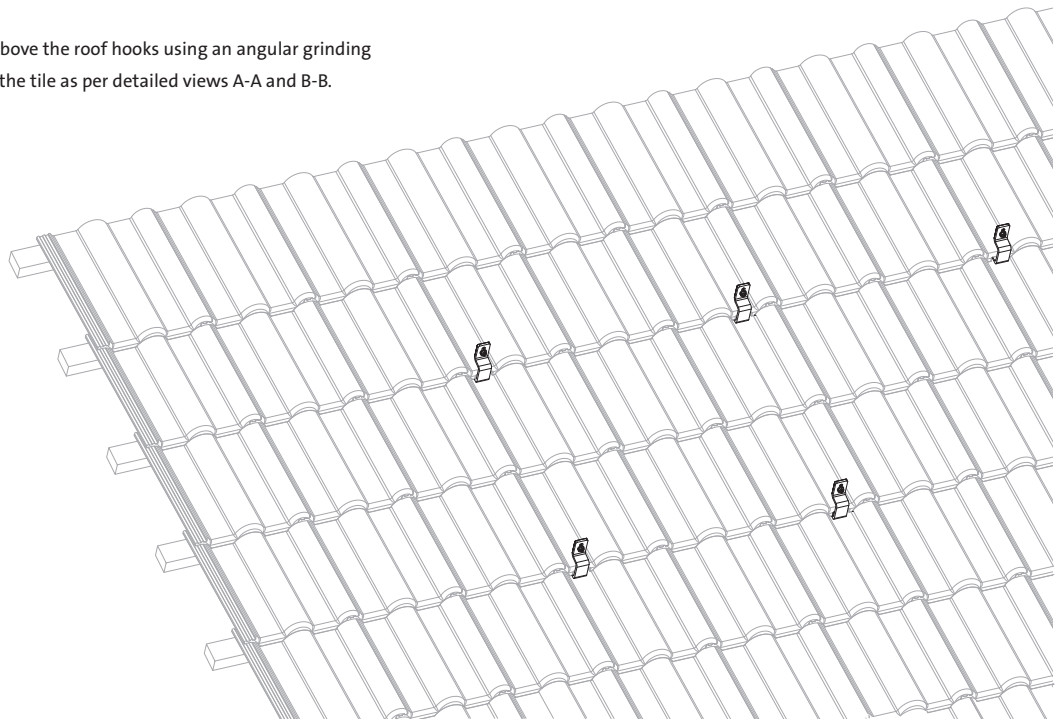
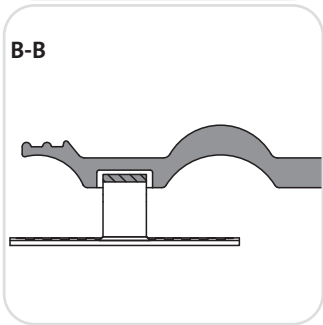
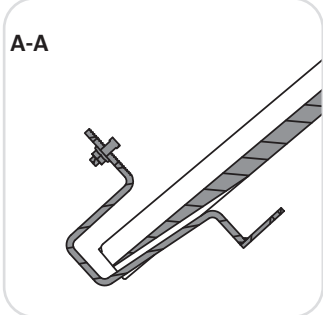
Two-layer rail system - horizontal module alignment



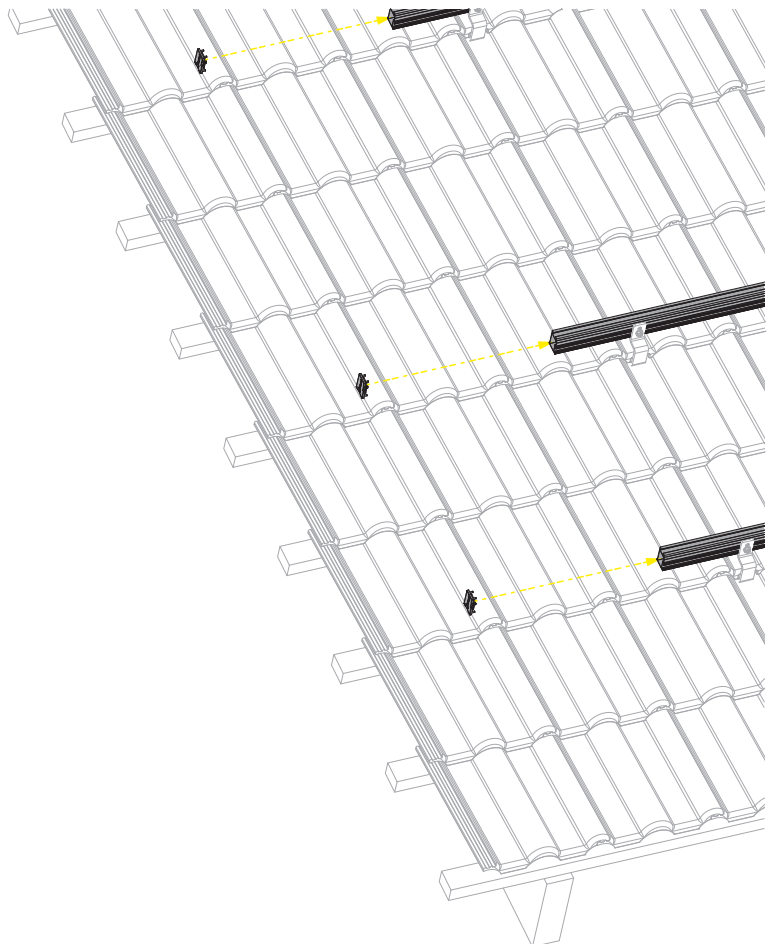
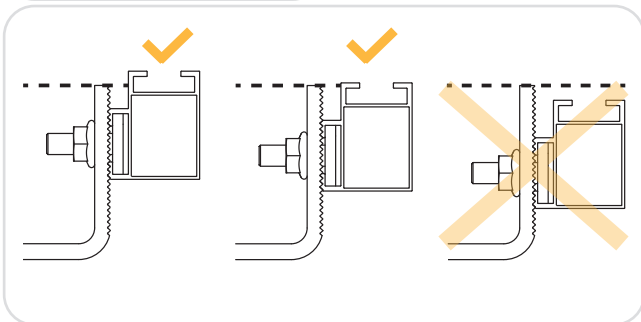
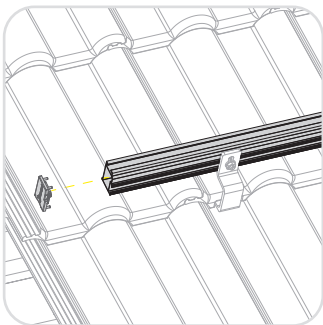
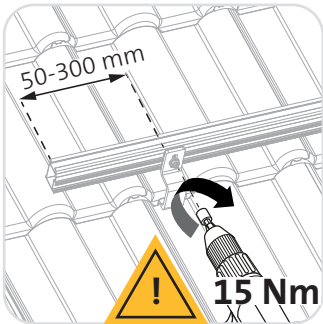
Warning!

The following treatment of tiles only applies to grooved tiles.
For flat tiles, please look at [page 44-46](#).

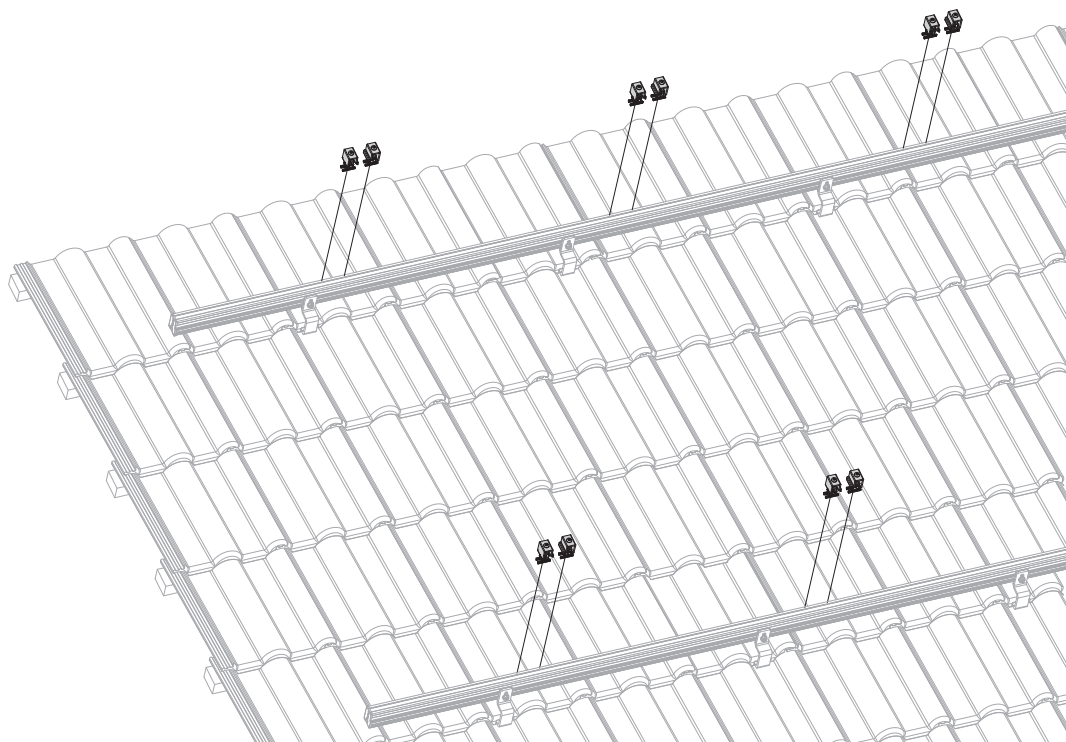
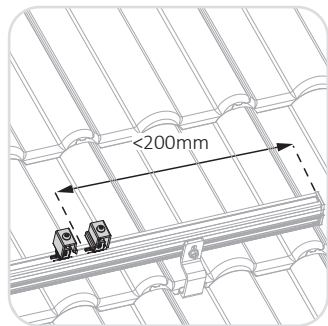
Treat the tiles above the roof hooks using an angular grinding machine. Treat the tile as per detailed views A-A and B-B.



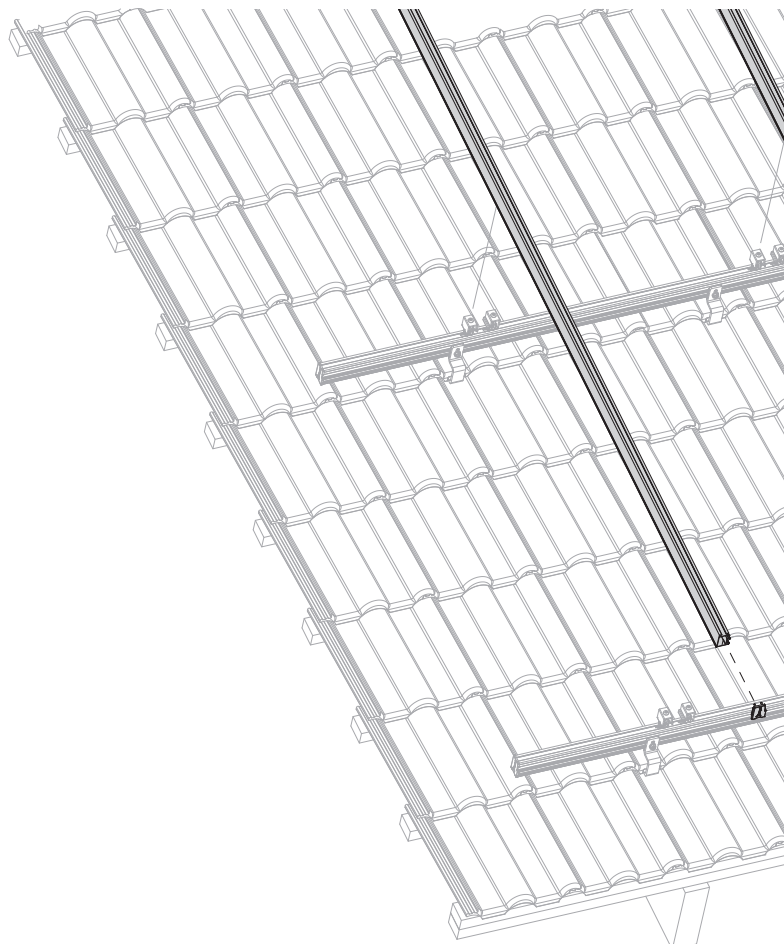
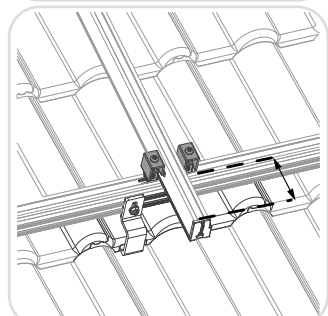
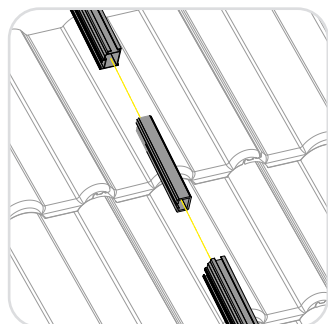
Two-layer rail system - horizontal module alignment



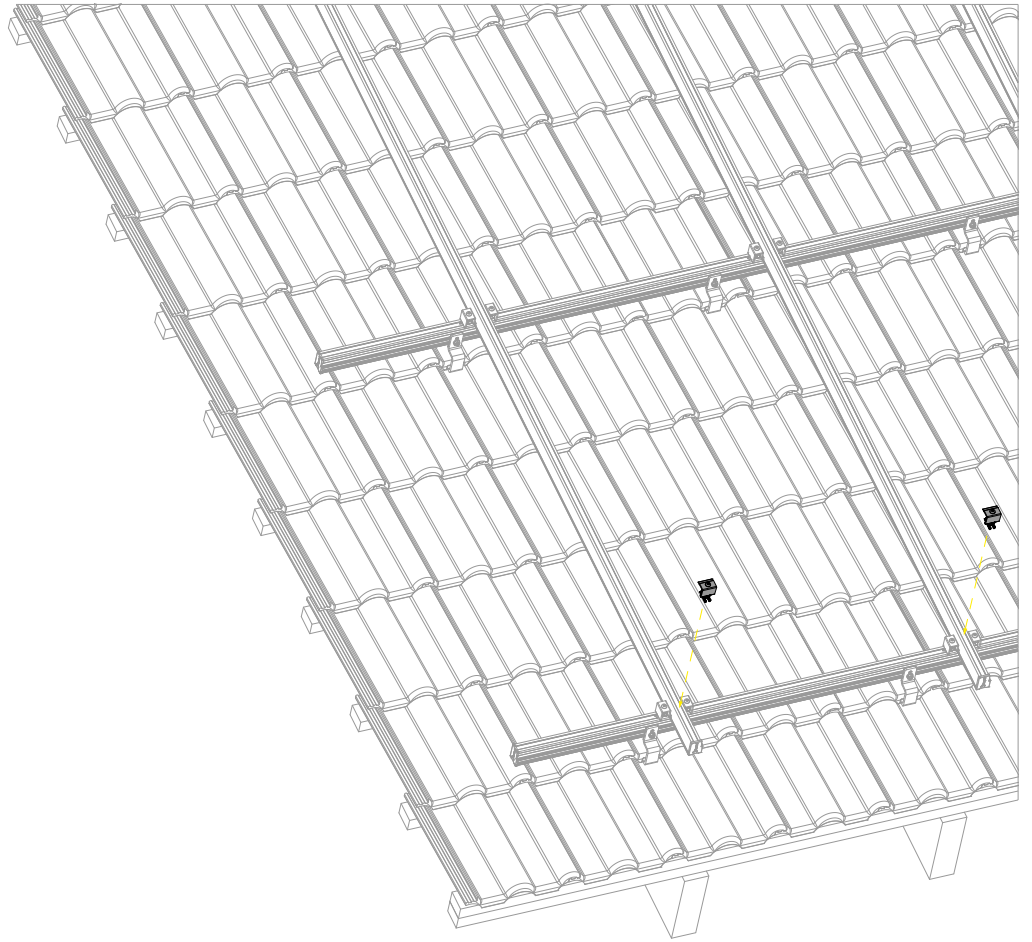
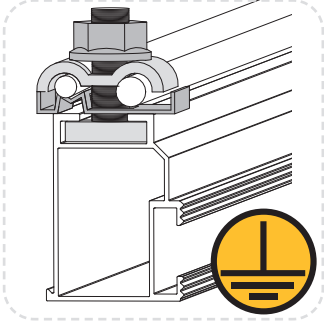
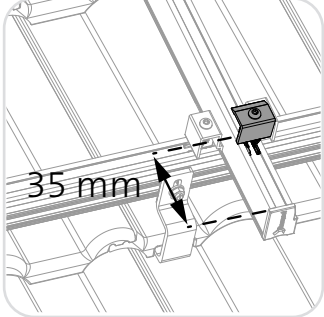
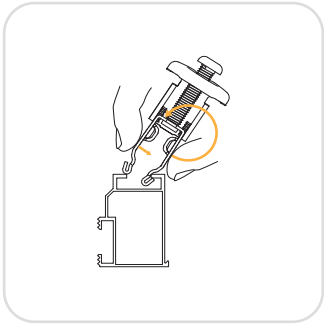
Two-layer rail system - horizontal module alignment



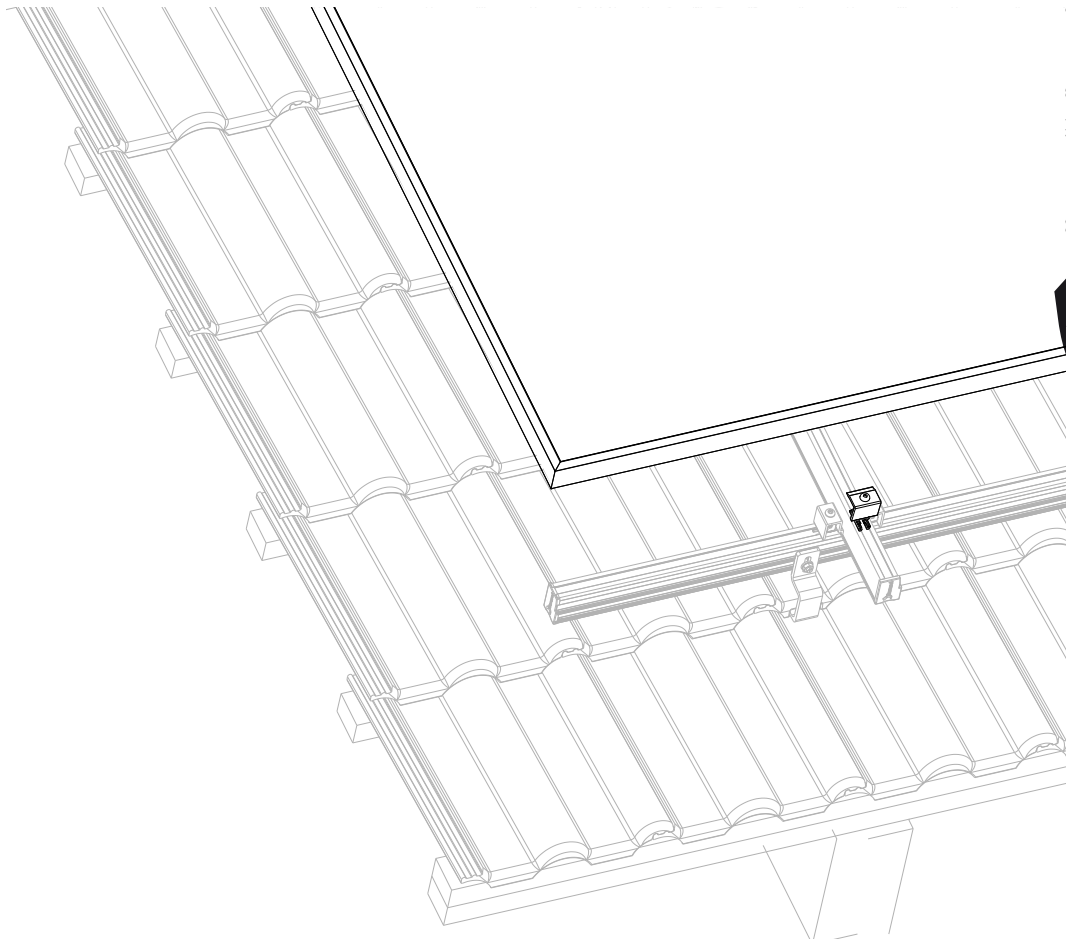
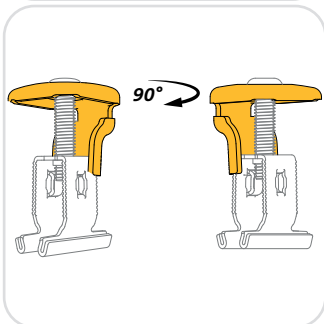
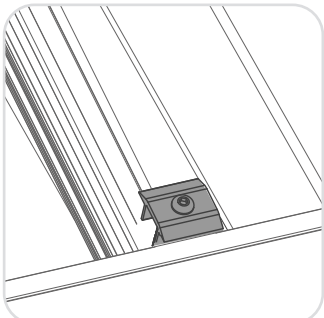
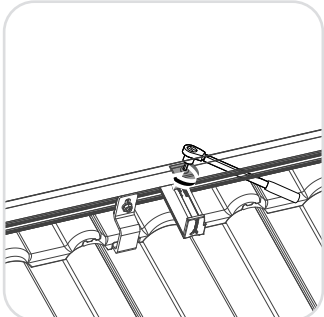
Two-layer rail system - horizontal module alignment

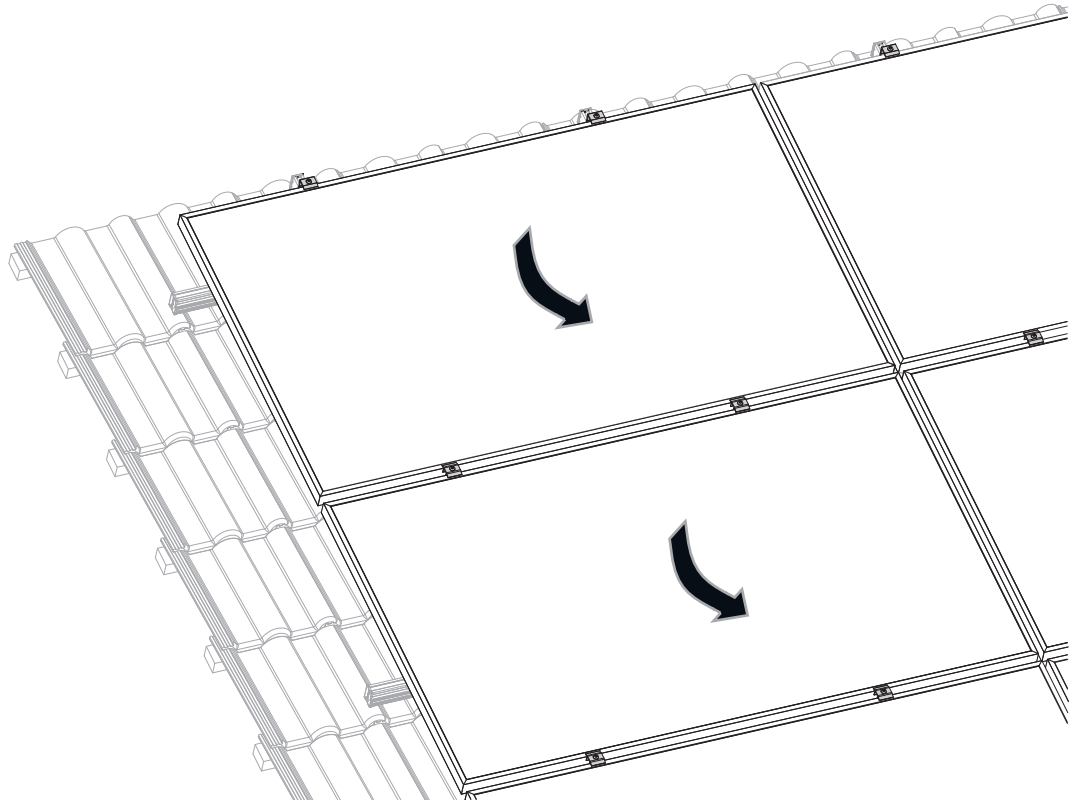


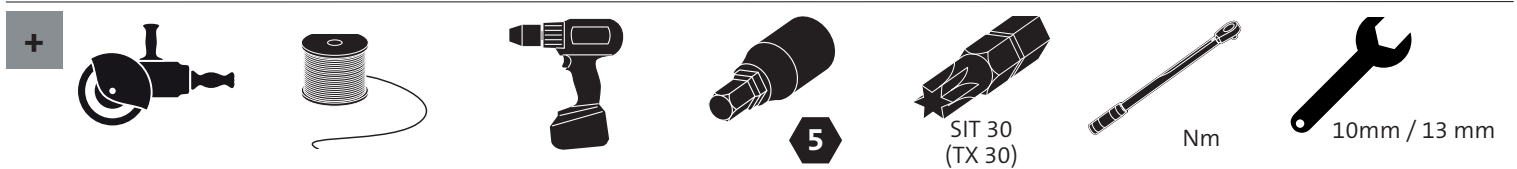
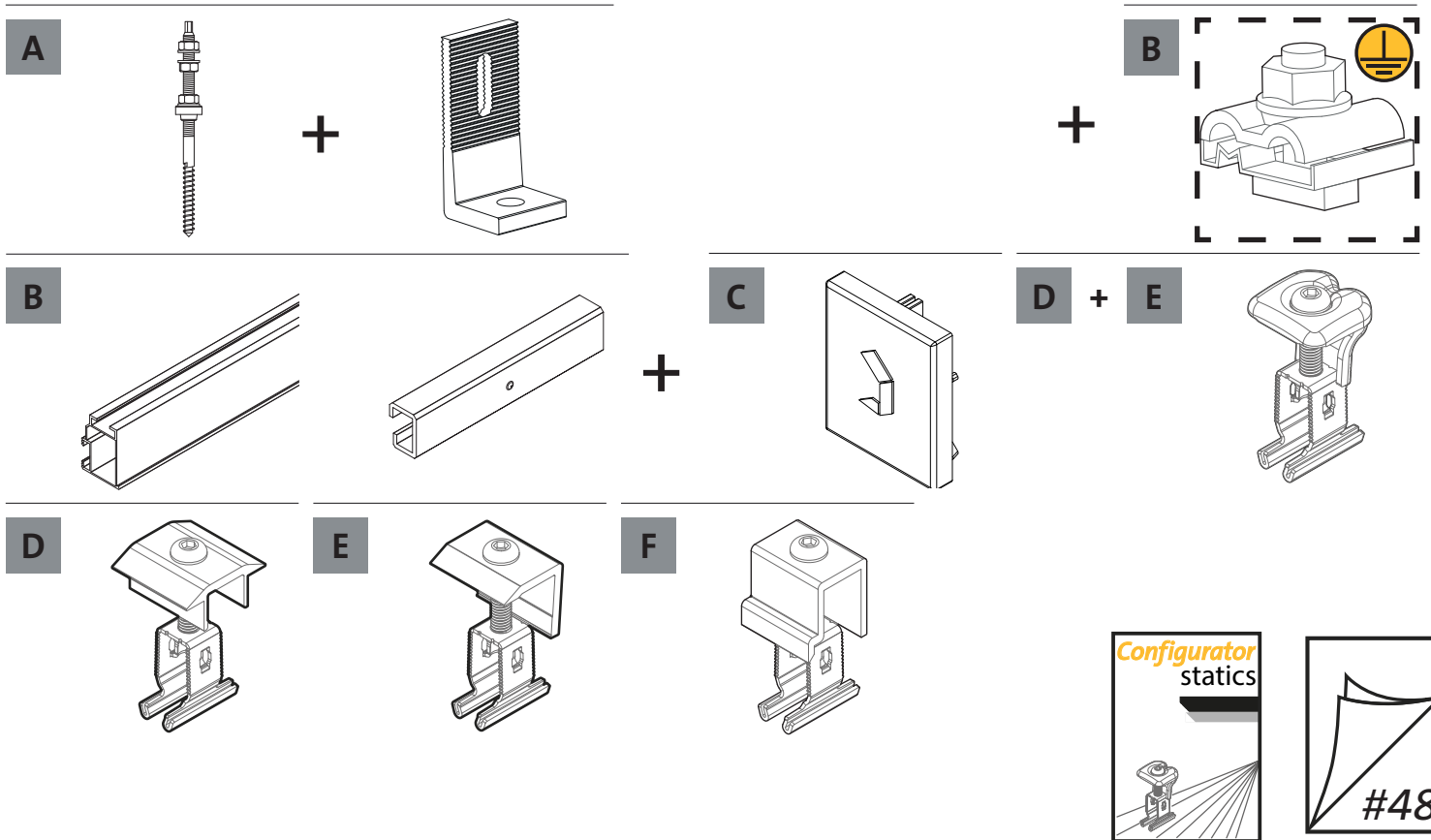
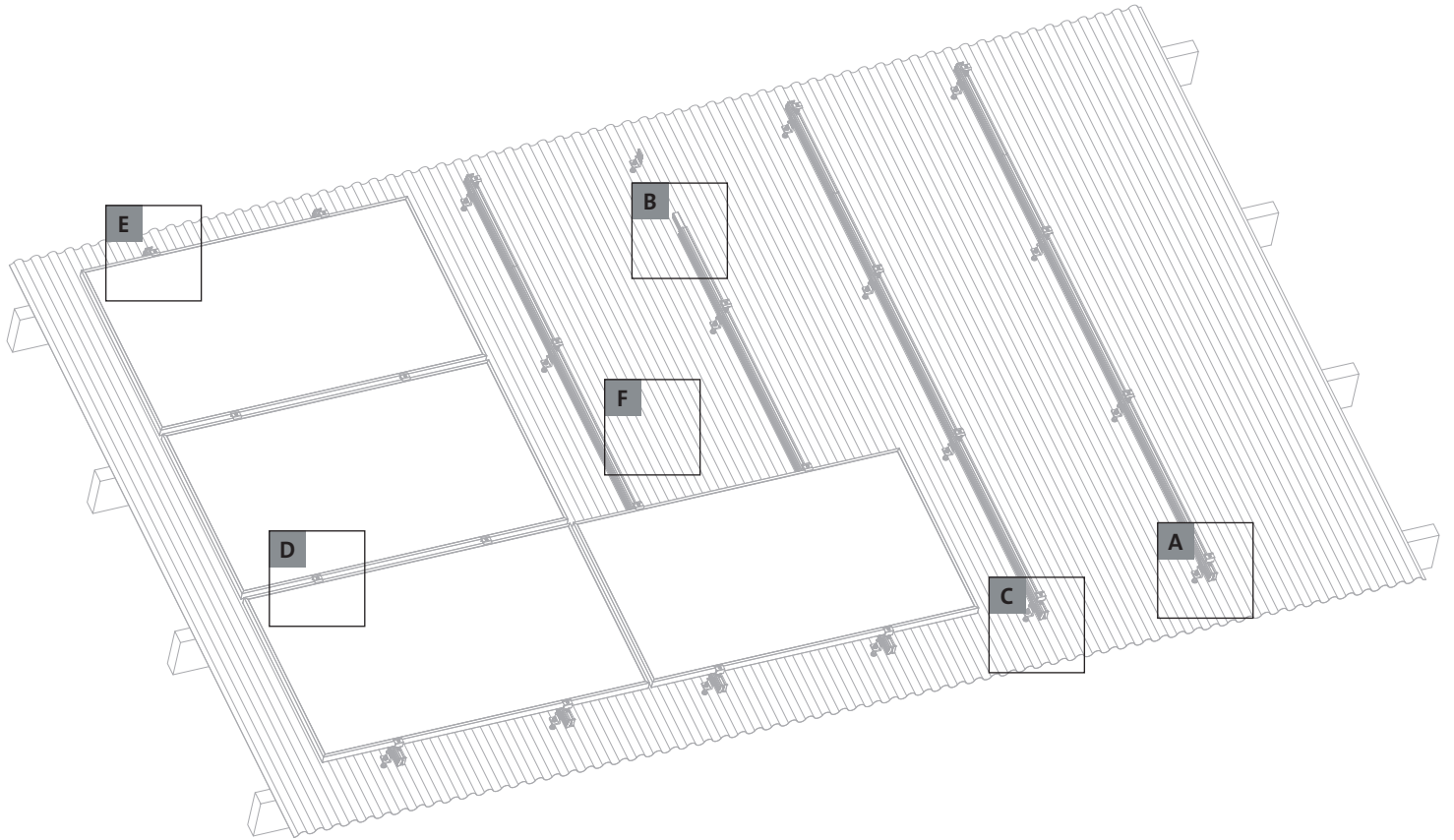
Two-layer rail system - horizontal module alignment

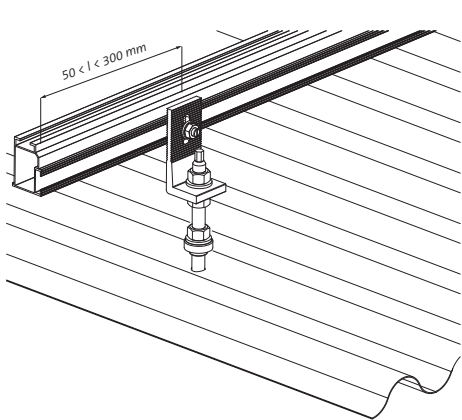
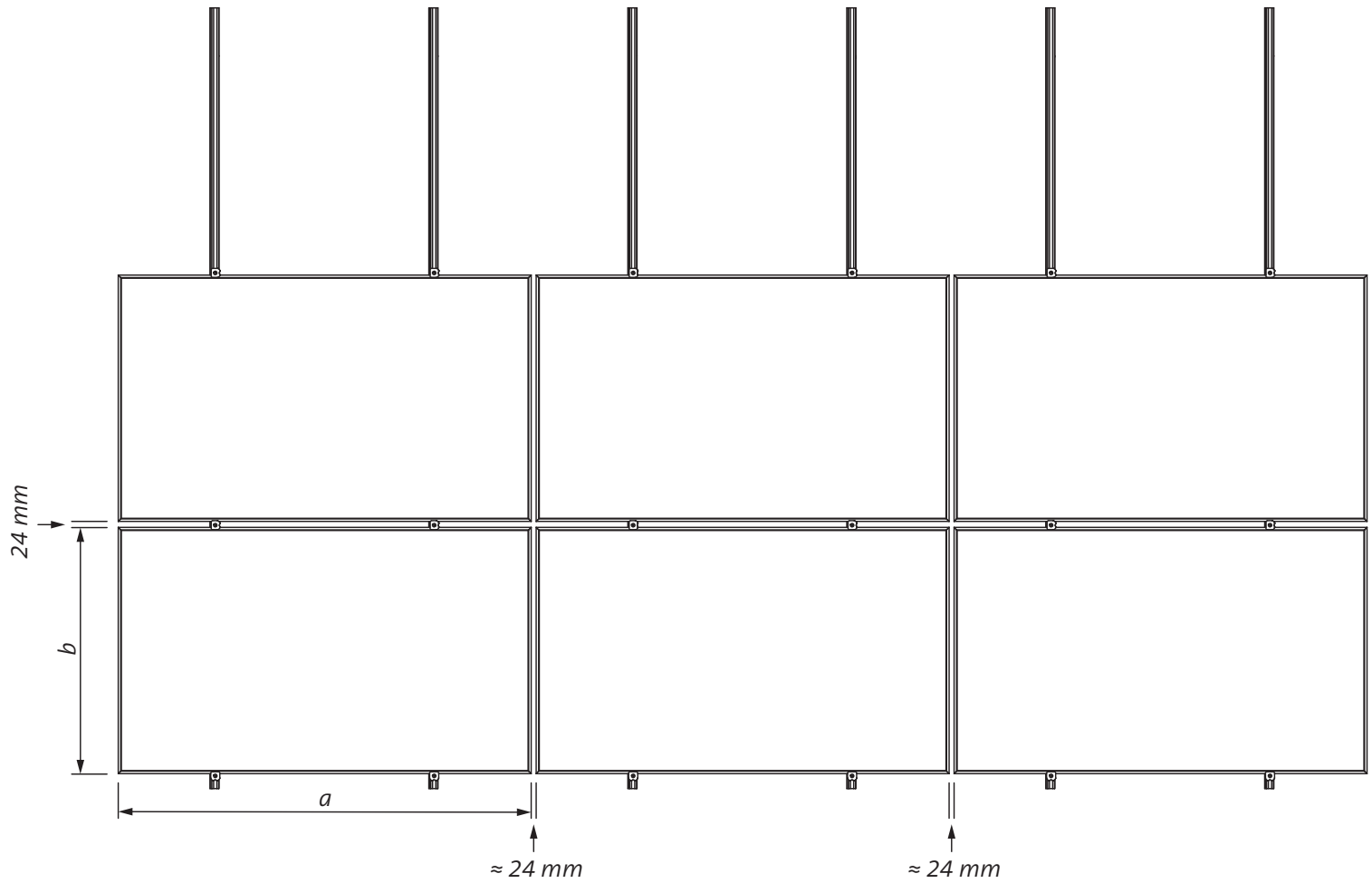


Two-layer rail system - horizontal module alignment

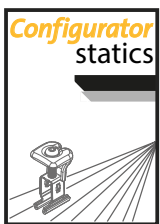






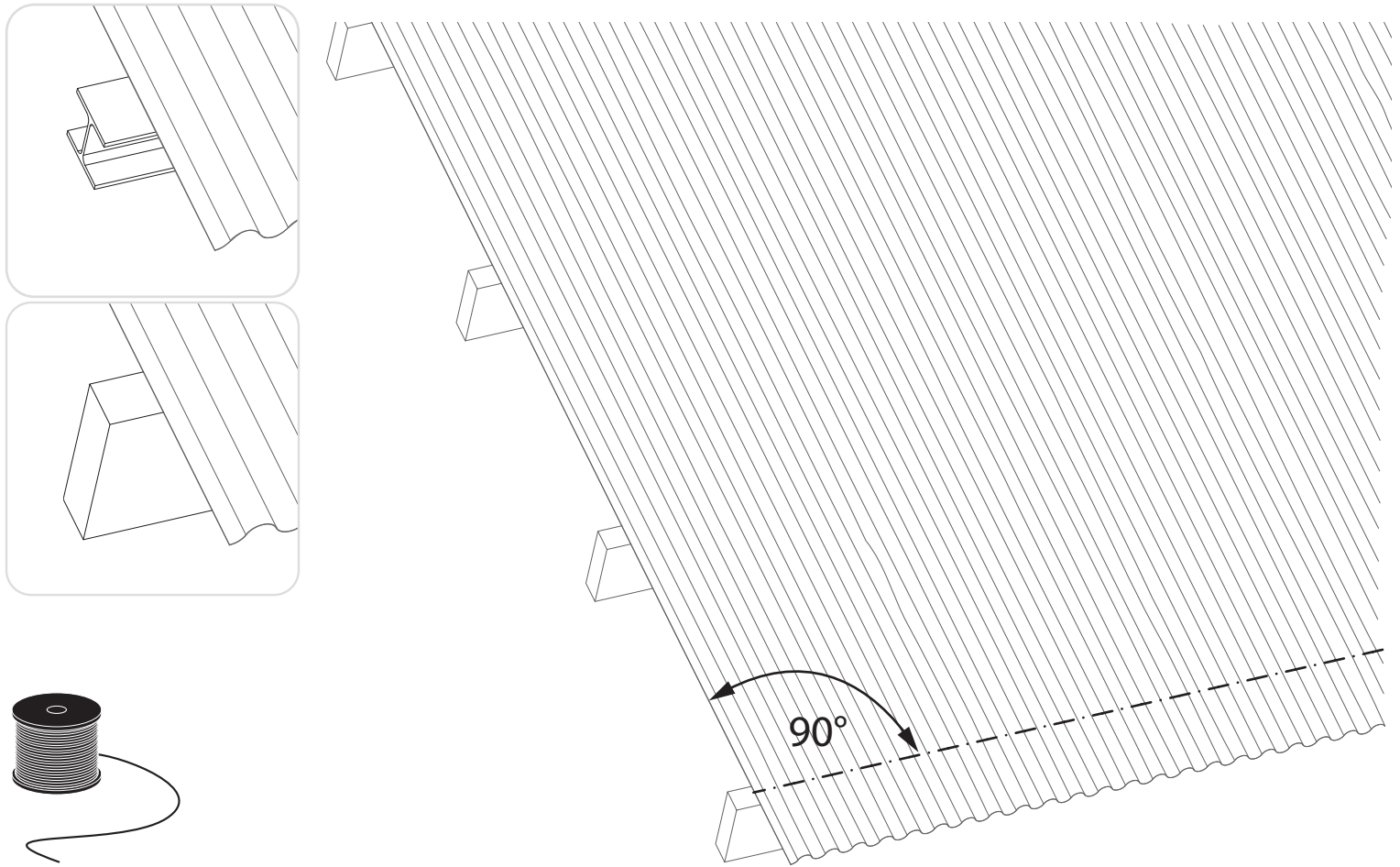


Without a structural analysis by means of the Renusol Configurator the length of the cantilever should not be longer than 300 mm.



- General instructions
- Static calculations
- Technical project overview
⇒ www.pv-configurator.com

Hanger bolts - solar fastener connection - horizontal module alignment

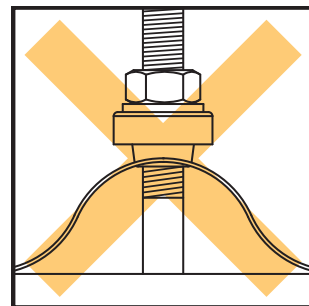
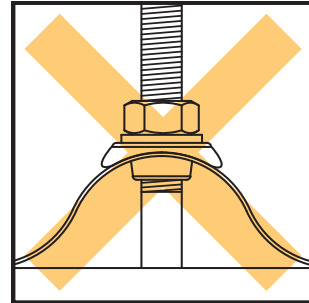
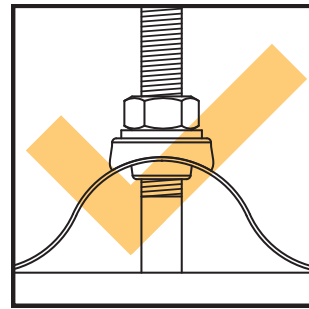
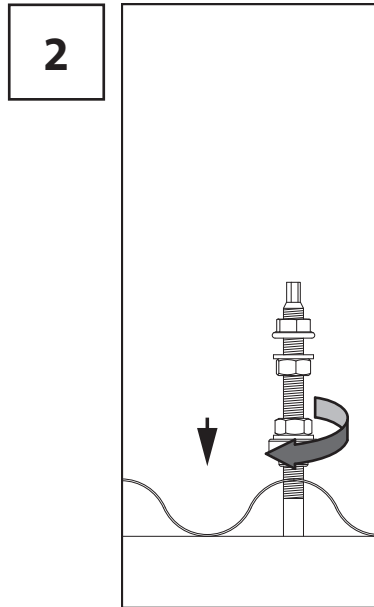
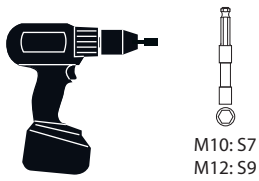
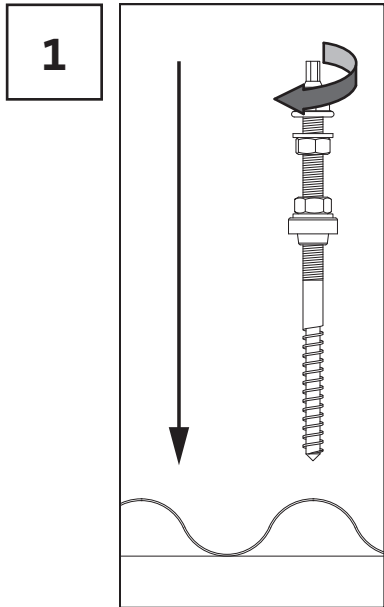


Hanger bolts - solar fastener connection - horizontal module alignment

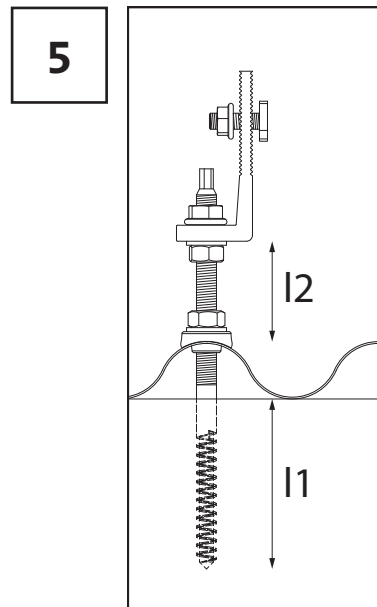
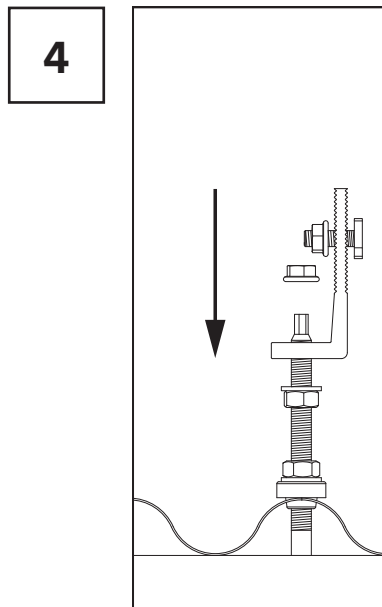
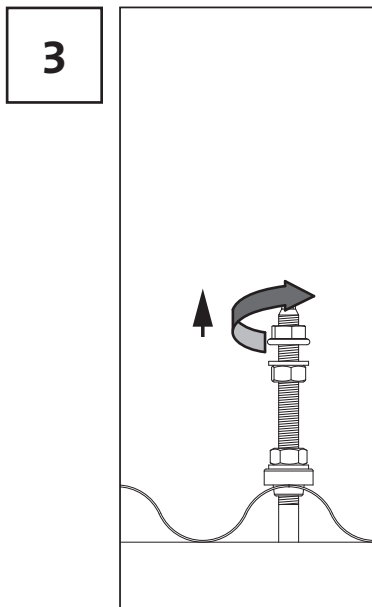
$t=$ (mm)	1,5 - 5,0	6,0	8,0	>10
ϕ_1 (mm)	14 mm			
ϕ_2 (mm)	6,8	7,0	7,2	7,4

ϕ	M10	M12
ϕ_1	14 mm	
ϕ_2	7,0 mm	8,4 mm

Hanger bolts - solar fastener connection - horizontal module alignment

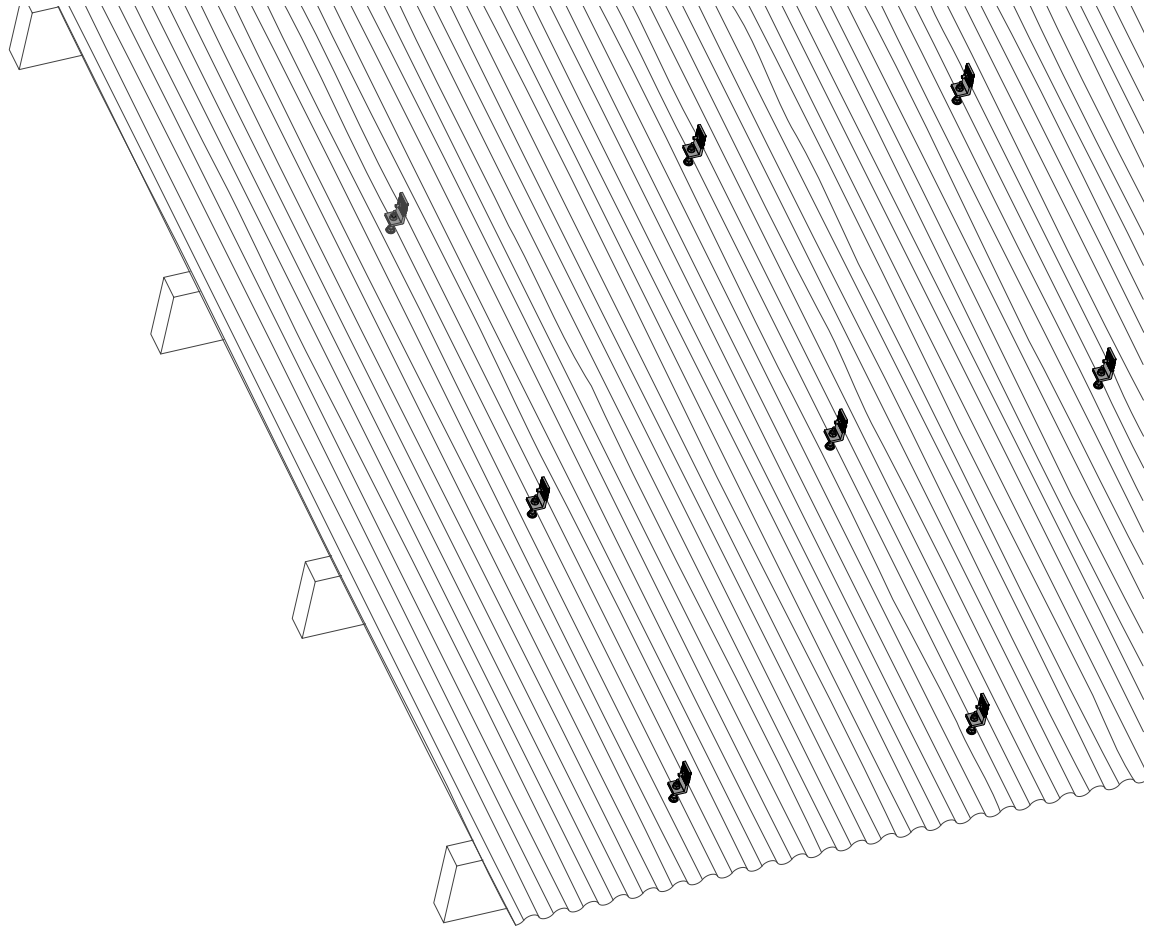
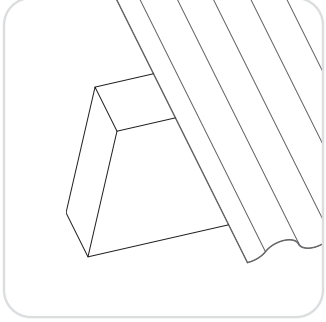
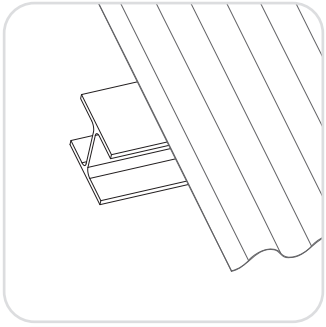


Hanger bolts - solar fastener connection - horizontal module alignment

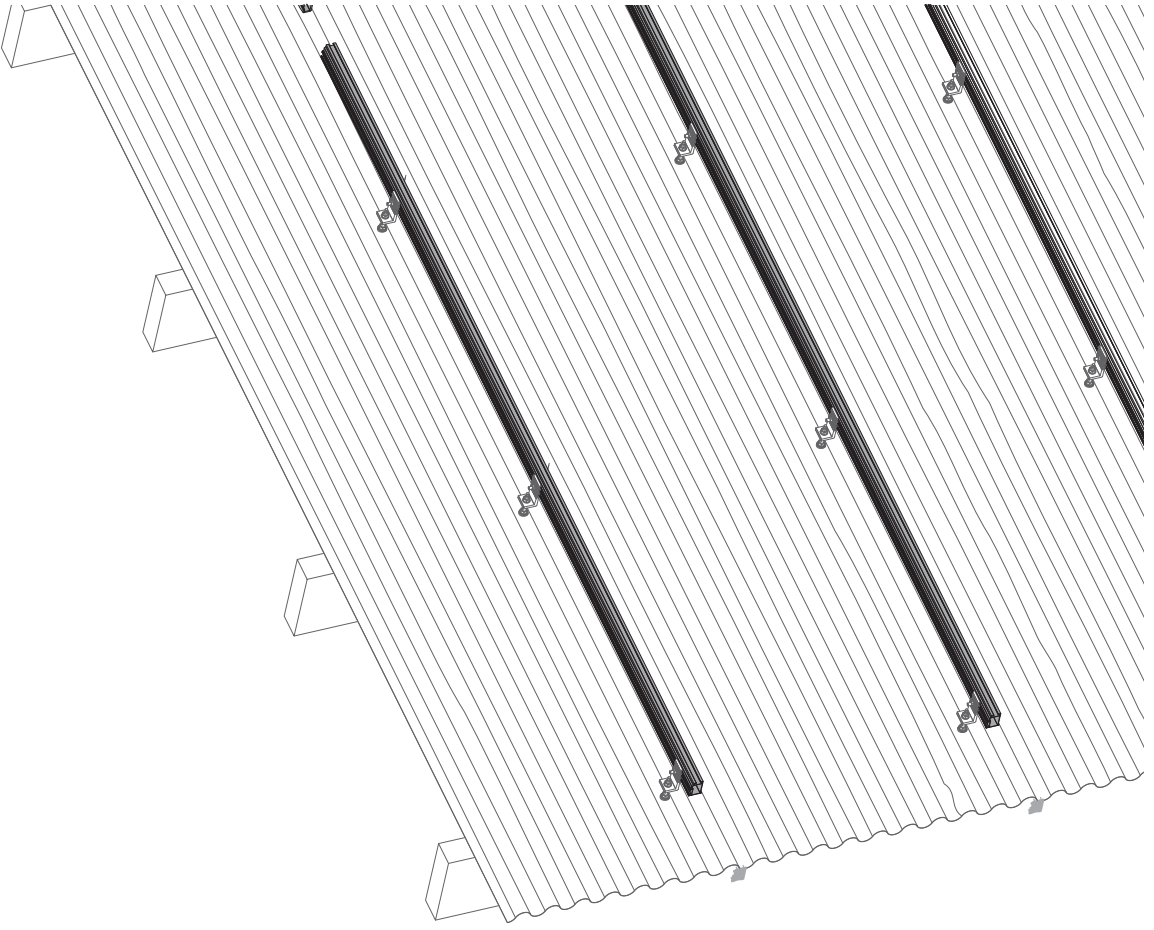
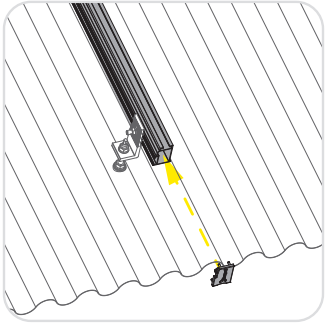


	M10	M12
l1	>40mm	>48mm
l2	<40 mm	

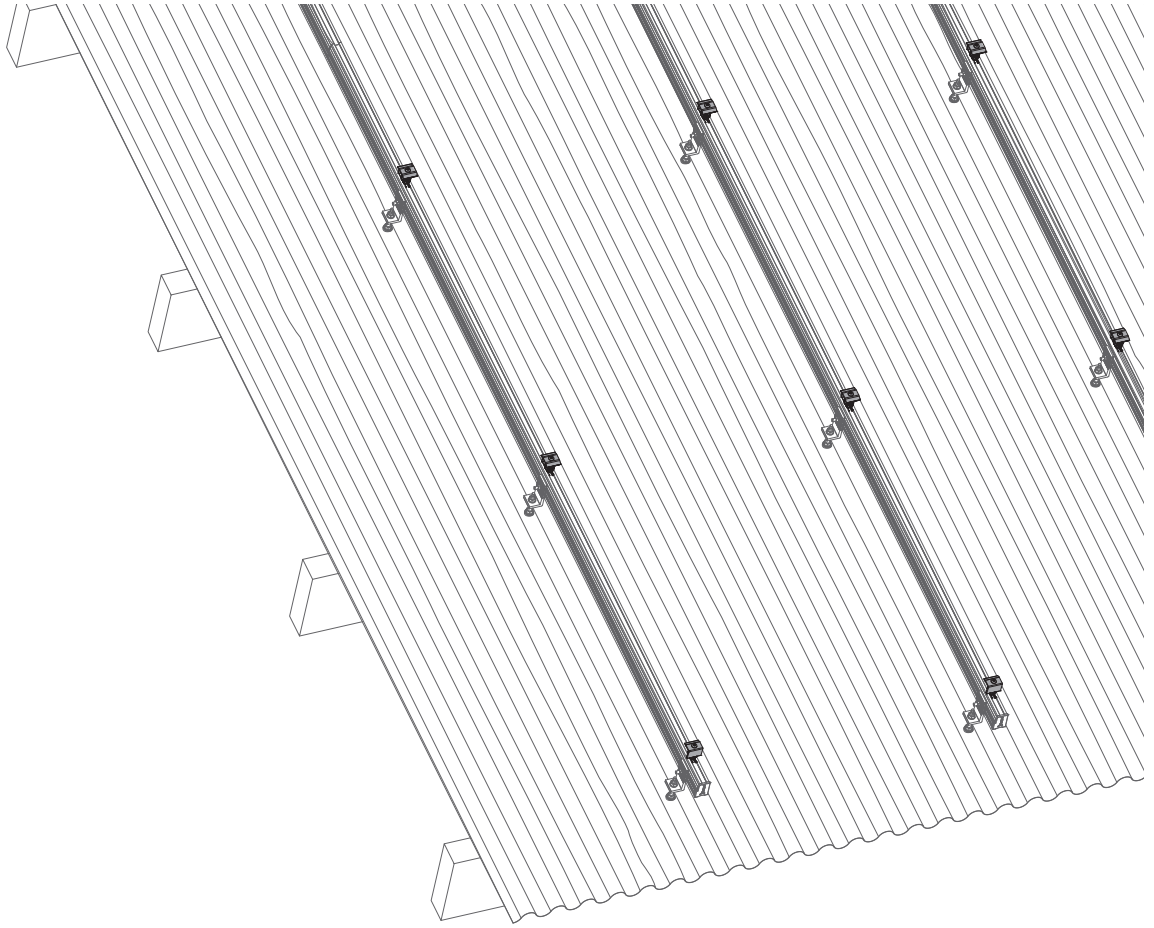
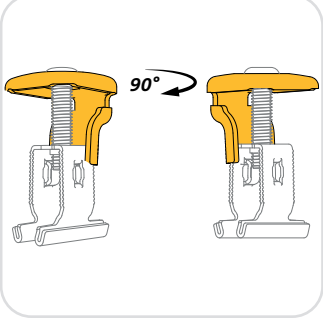
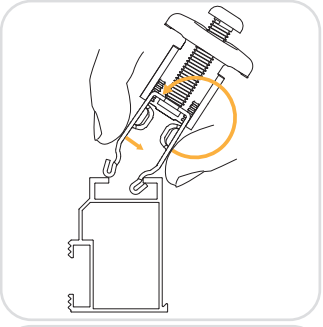
Hanger bolts - solar fastener connection - horizontal module alignment



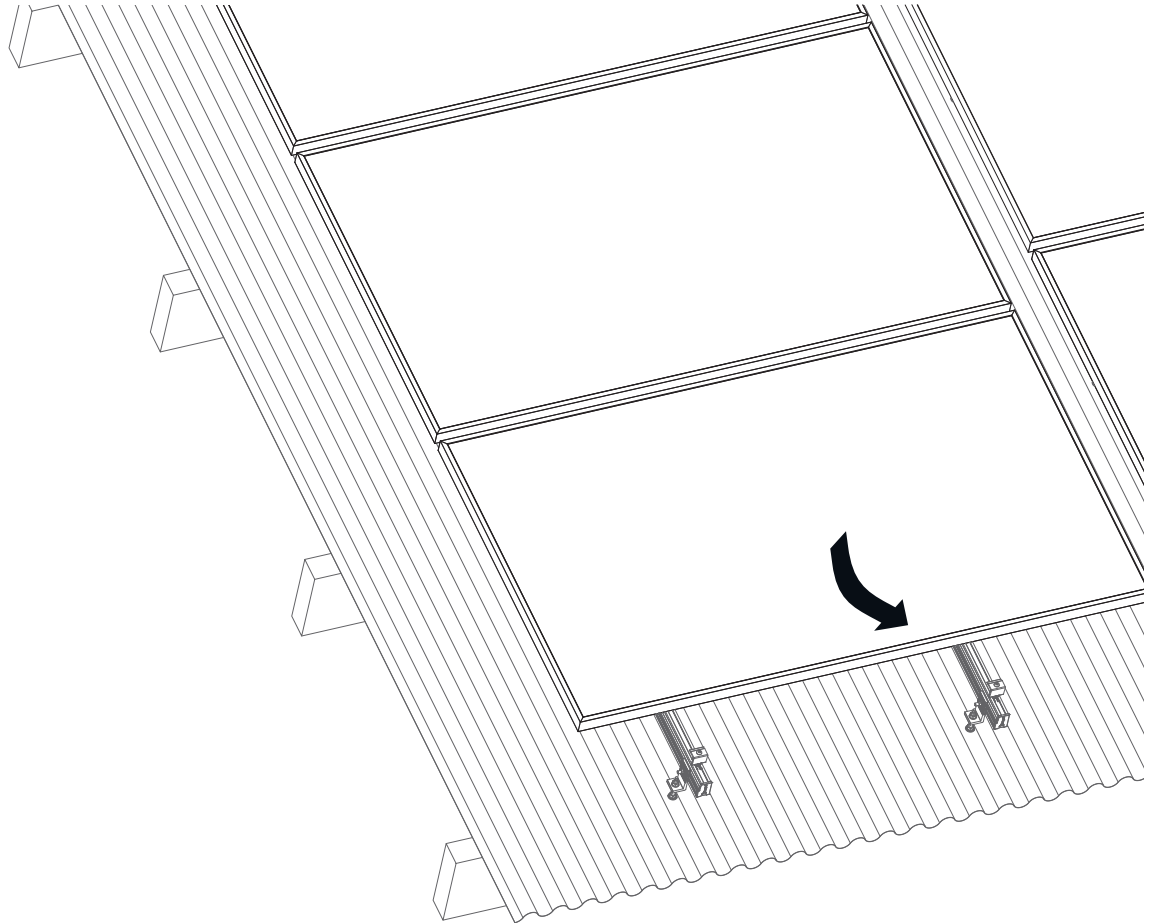
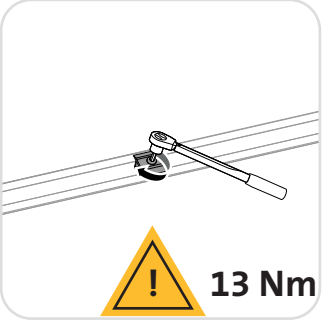
Hanger bolts - solar fastener connection - horizontal module alignment

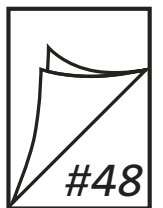
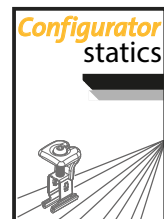
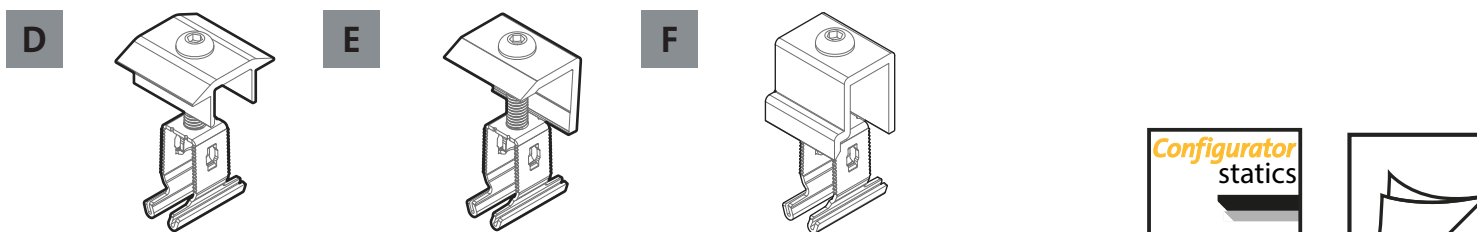
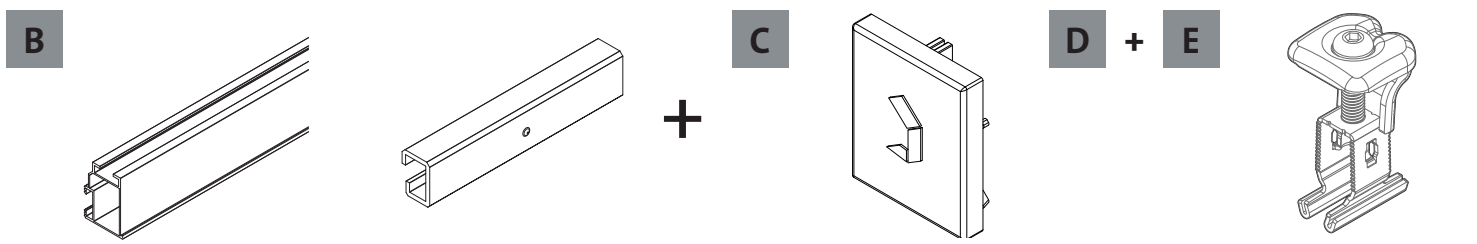
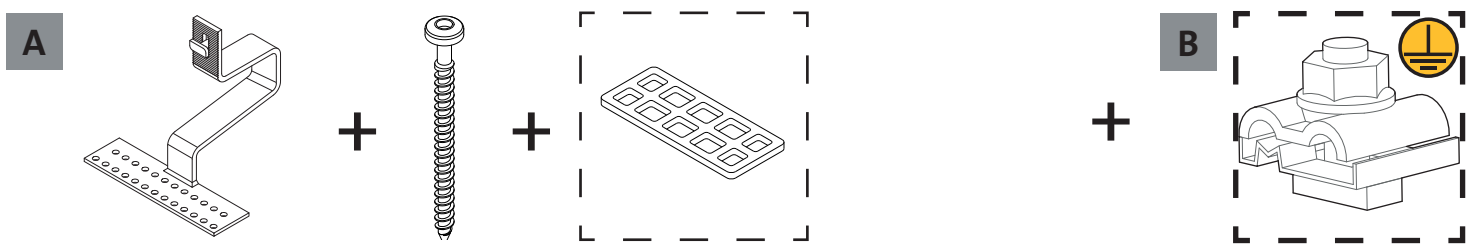
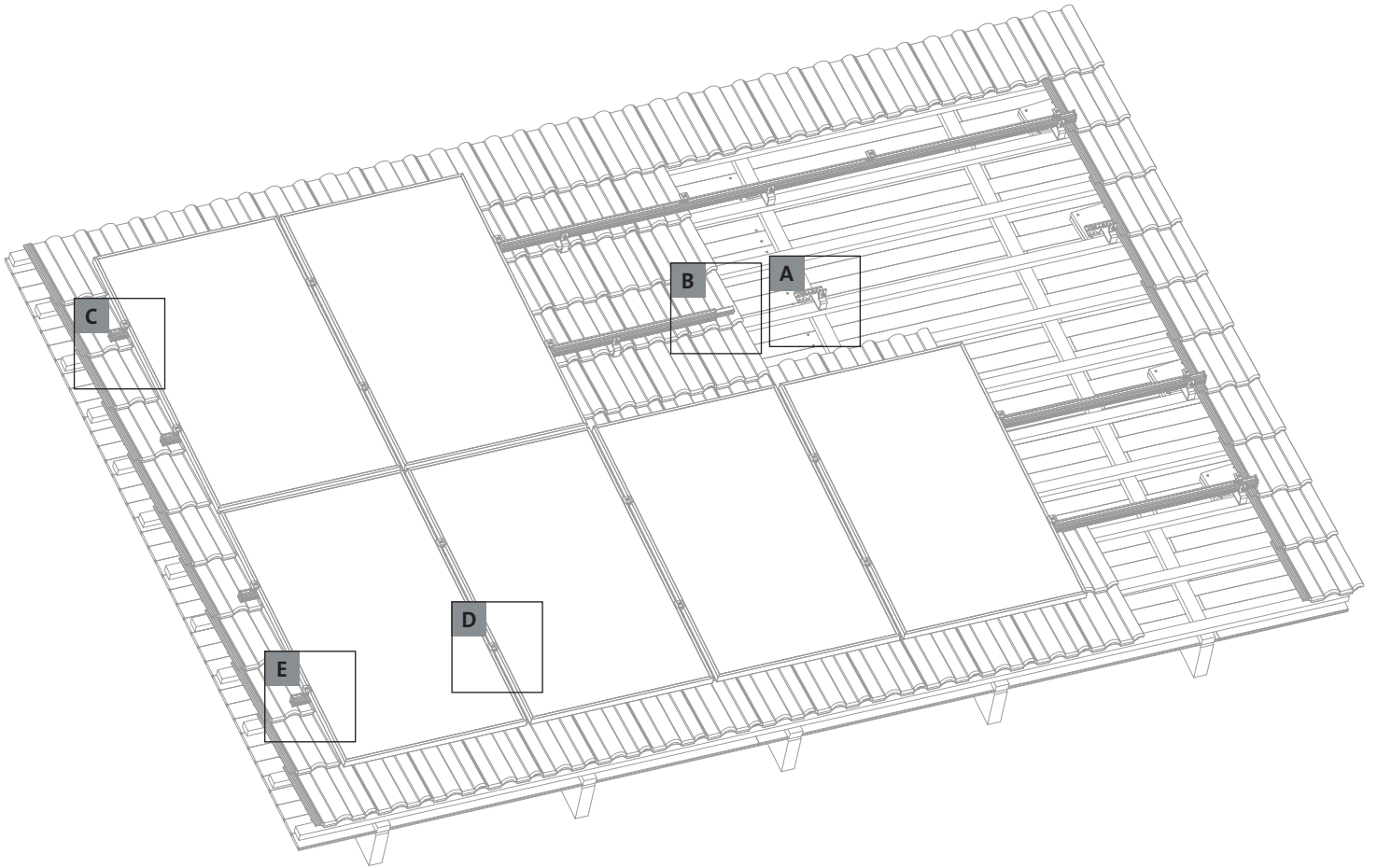


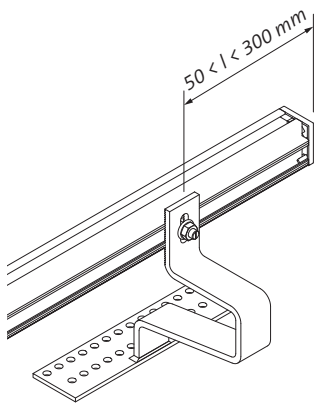
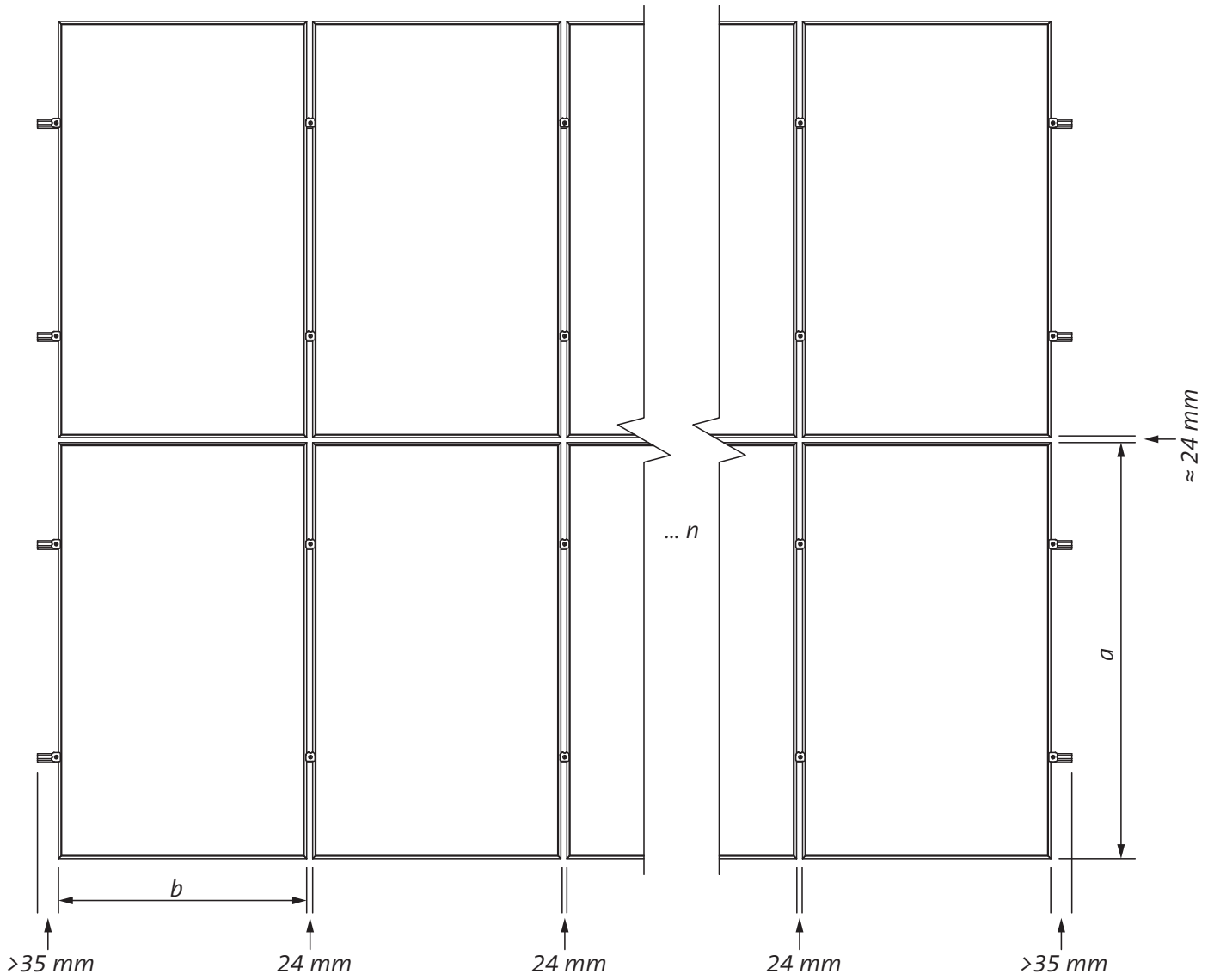
Hanger bolts - solar fastener connection - horizontal module alignment



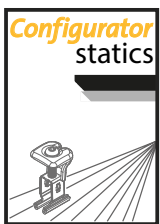
Hanger bolts - solar fastener connection - horizontal module alignment







Without a structural analysis by means of the Renusol Configurator the length of the cantilever should not be longer than 300 mm.



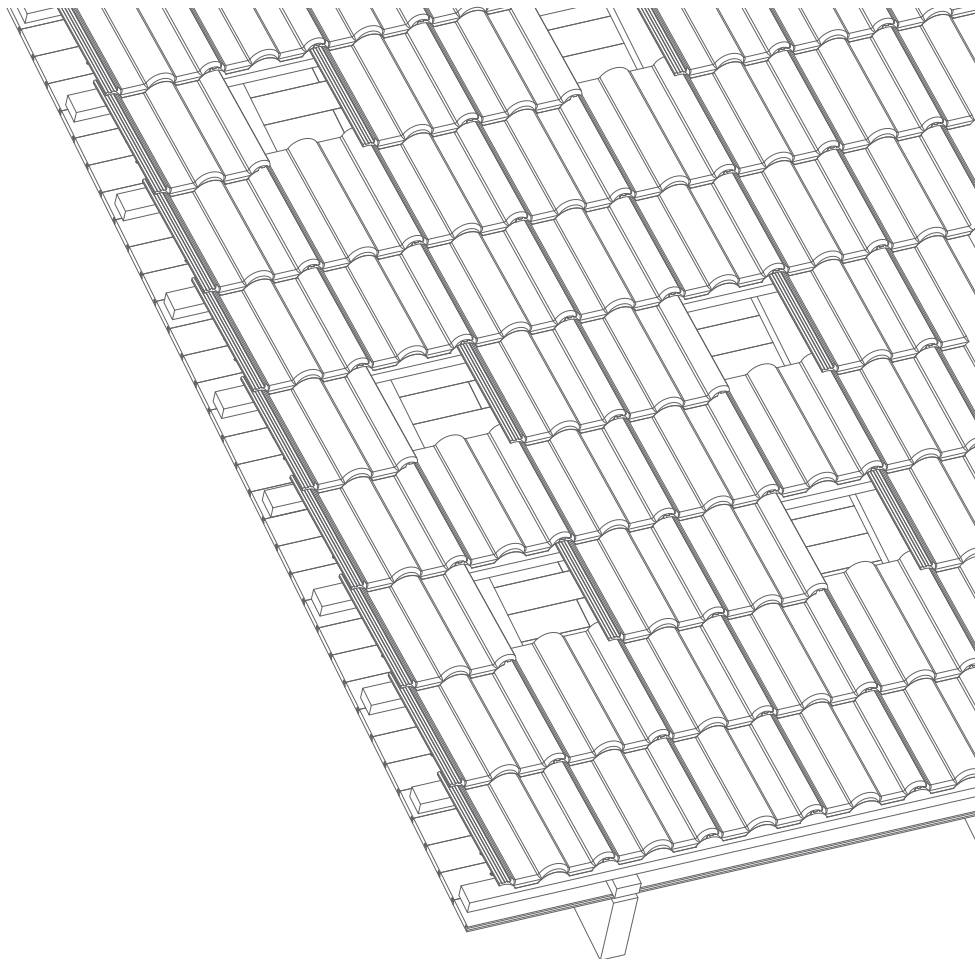
- General instructions
- Static calculations
- Technical project overview
 ⇒ www.pv-configurator.com

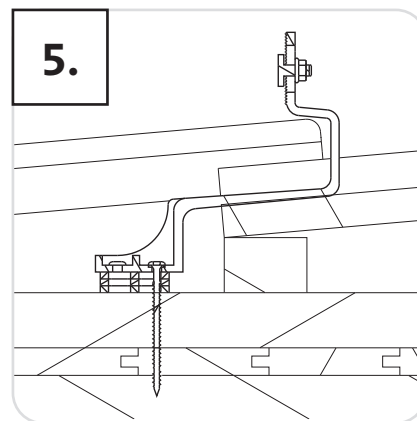
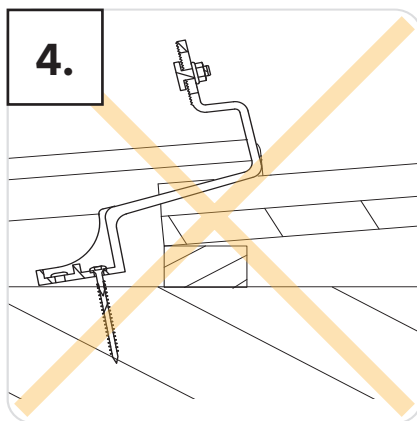
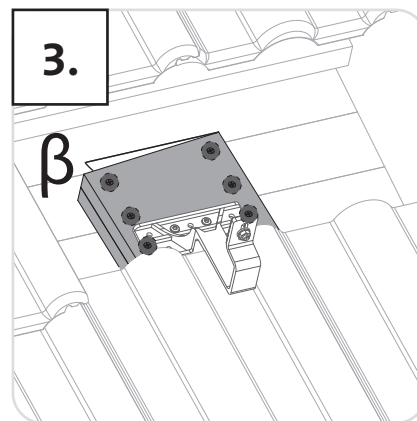
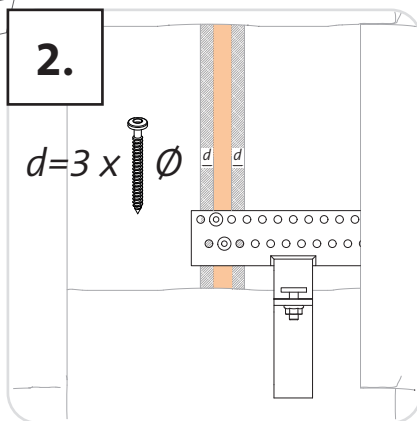
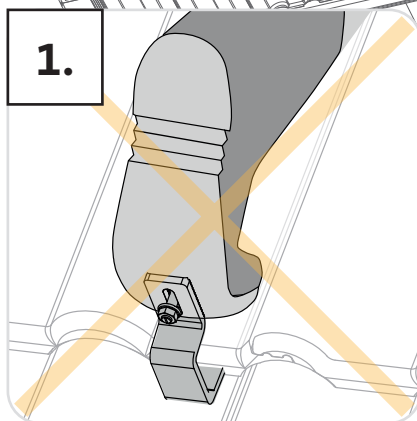
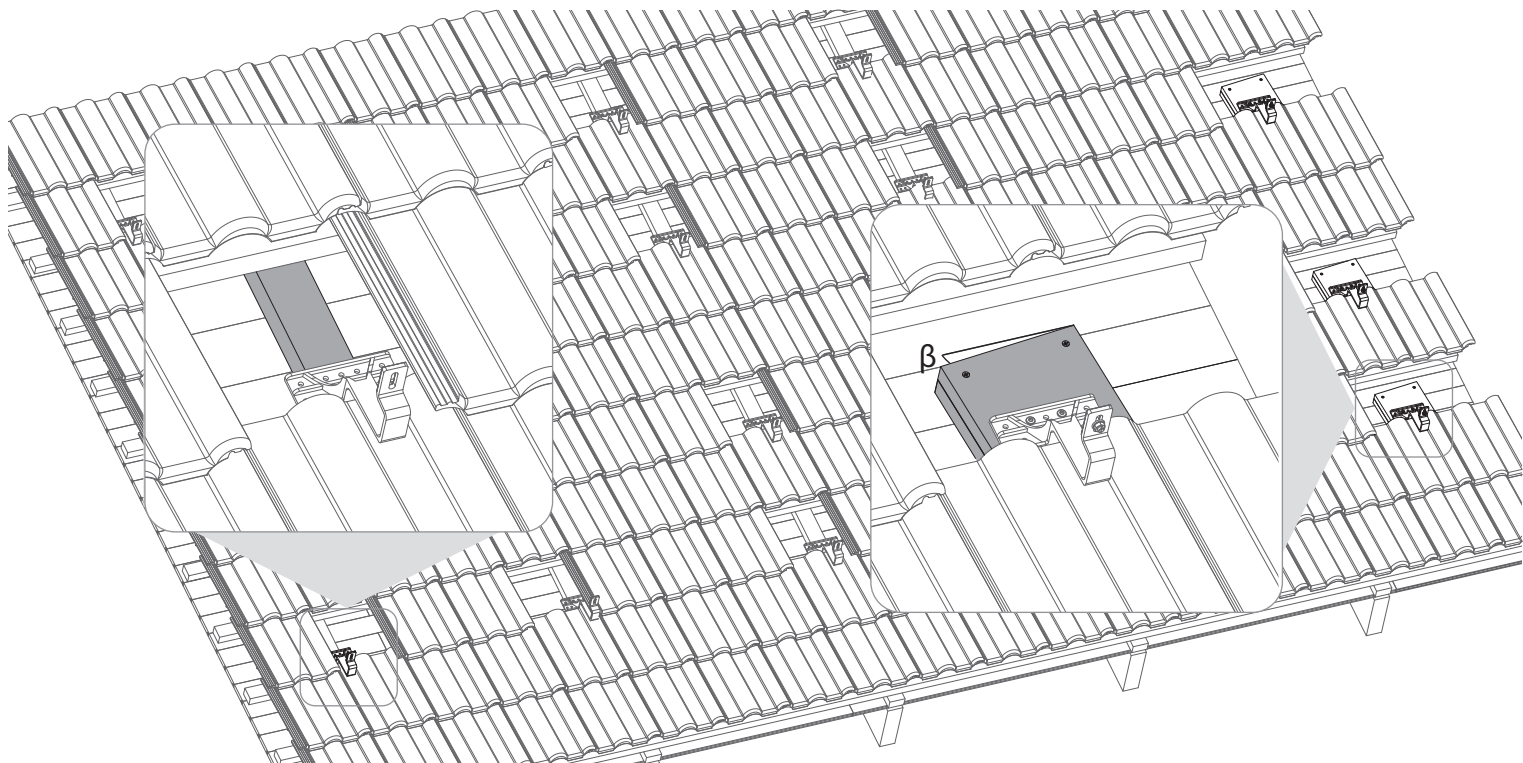
One-layer rail system on tongue and groove boards fixation - vertical module alignment

Remove the additional gutter tiles on the top side as per layout to have more work space.

Warning!

Check the condition of the roof construction before starting the installation. This includes quality and thickness of rafters, purlins and the roof sealing. The building structure must be able to safely and durably bear the additional loads of the photovoltaic system.





Warning!

A surveyor must assess the quality of the rafters, laths as well as the grooved board and the strictly required screwed fixations of the grooved board with the rafters and ascertain whether the roof is suitable for the installation of VarioSole taking into account the local wind and snow conditions. Replace bad or old roof laths as well as the grooved boards by new ones, which at least comply with the currently applicable regulations.

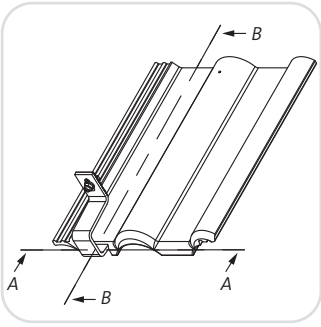
If mounted on grooved boards, the load capacity of the roof hook is clearly lower compared with the screwed connection on rafters.

The Renusol Europe GmbH will not accept liability for the direct screwed connection on the grooved board. The following steps shall only serve for illustration. To ensure warranty, please follow the instructions “One-layer rail system - vertical module alignment” and read our warranty conditions in www.Renusol.com. Only use the levelling element on a timber lining of at least 20 mm thickness with an NH strength class of min. C24.

Warning!

1. Do not use the roof hook as step
2. Screw the roof hooks fastened on the rafter within the allowed range only. Keep a distance of $3 \times \varnothing$ of the wood screw to the outer edge. Please find the number of screws on page 49-50.
3. Screw on the levelling elements in an angle of approx. $\beta \approx 5^\circ$, to avoid stagnant water. Screw on 6 wood screws.
4. If screwed on grooved board and on roof rafters, make sure that the tile does not rest on.
5. Screw on the roof hooks through all levelling elements (incl. grooved board)

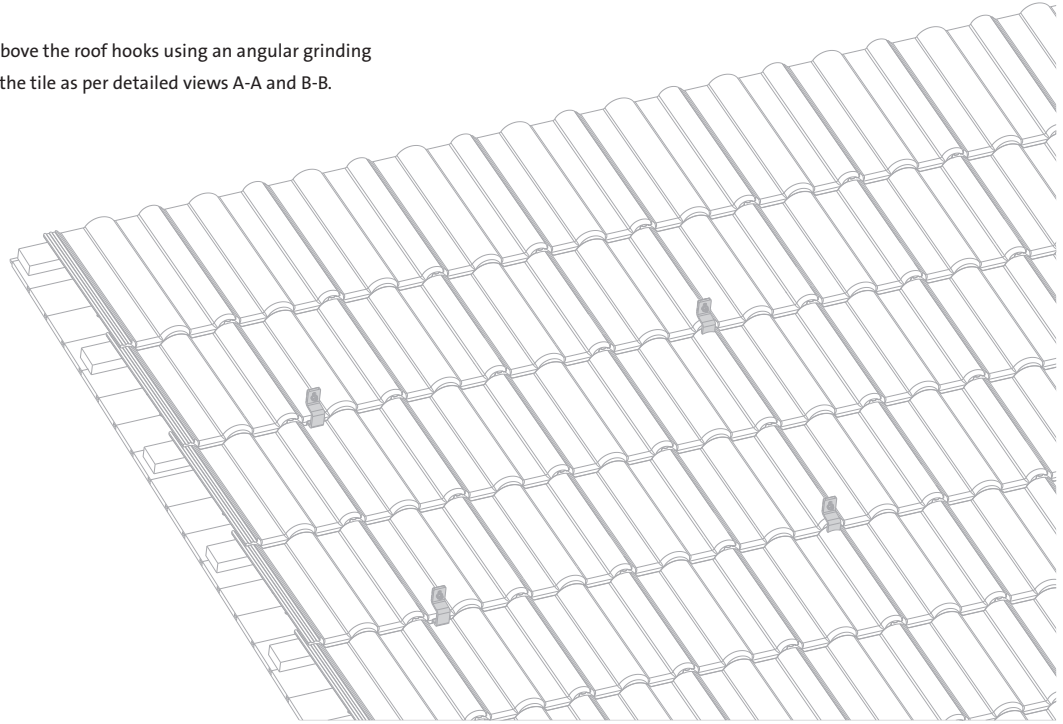
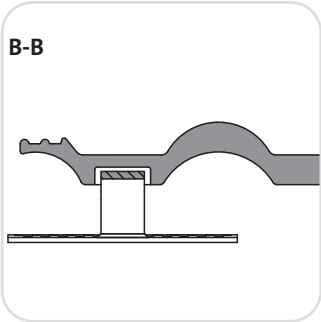
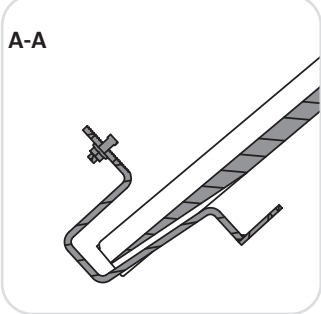
One-layer rail system on tongue and groove boards fixation - vertical module alignment



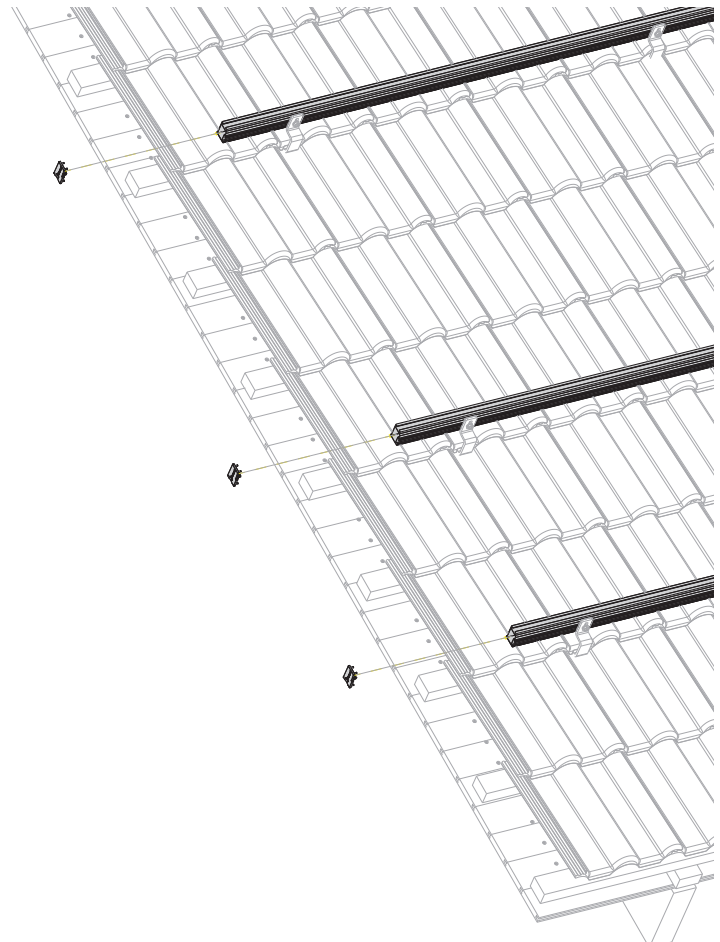
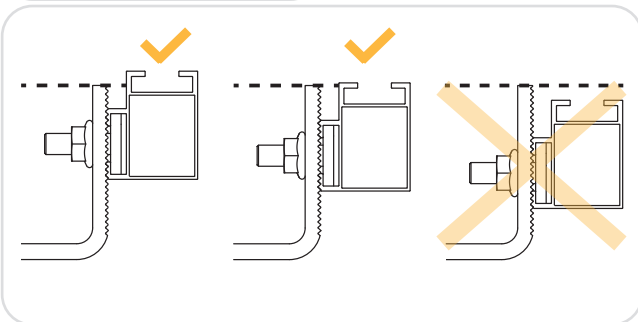
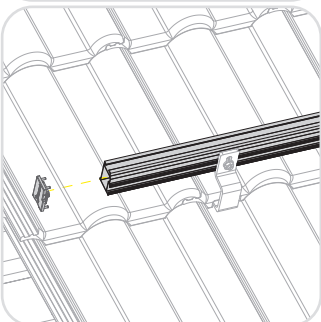
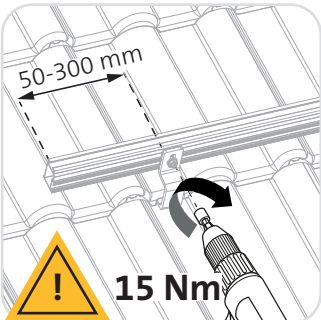
Warning!

The following treatment of tiles only applies to grooved tiles.
For flat tiles, please look at *page 44-46*.

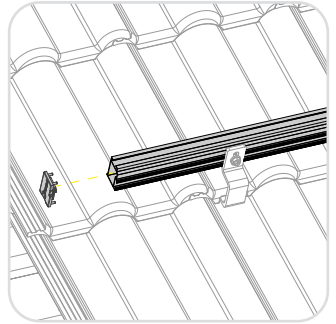
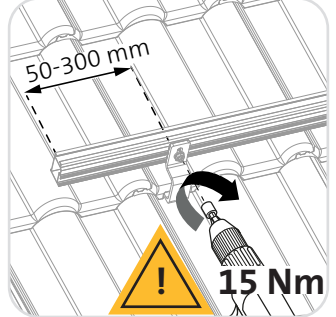
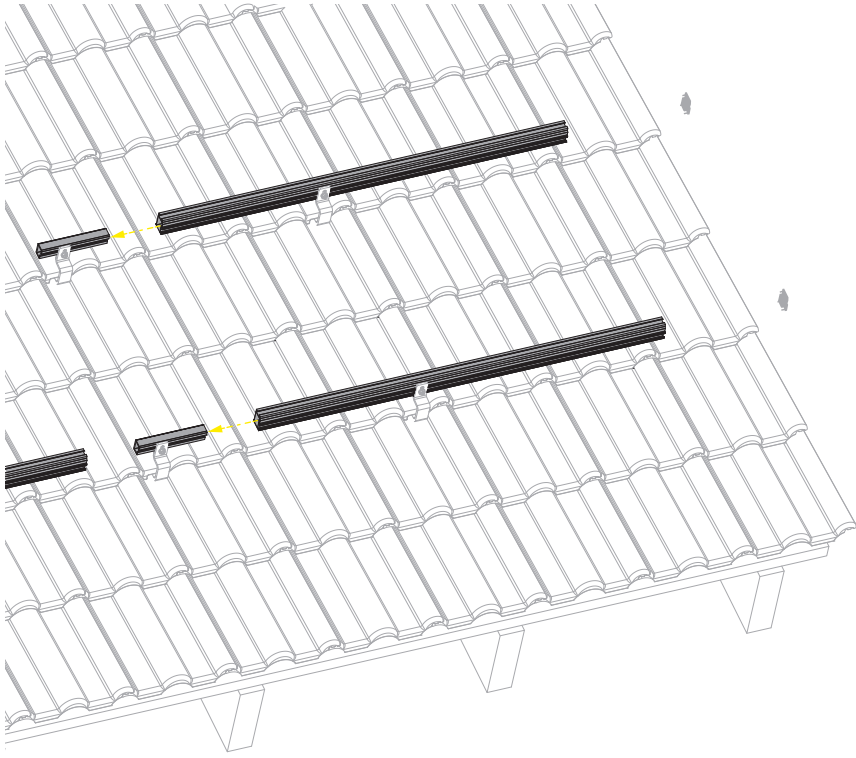
Treat the tiles above the roof hooks using an angular grinding machine. Treat the tile as per detailed views A-A and B-B.



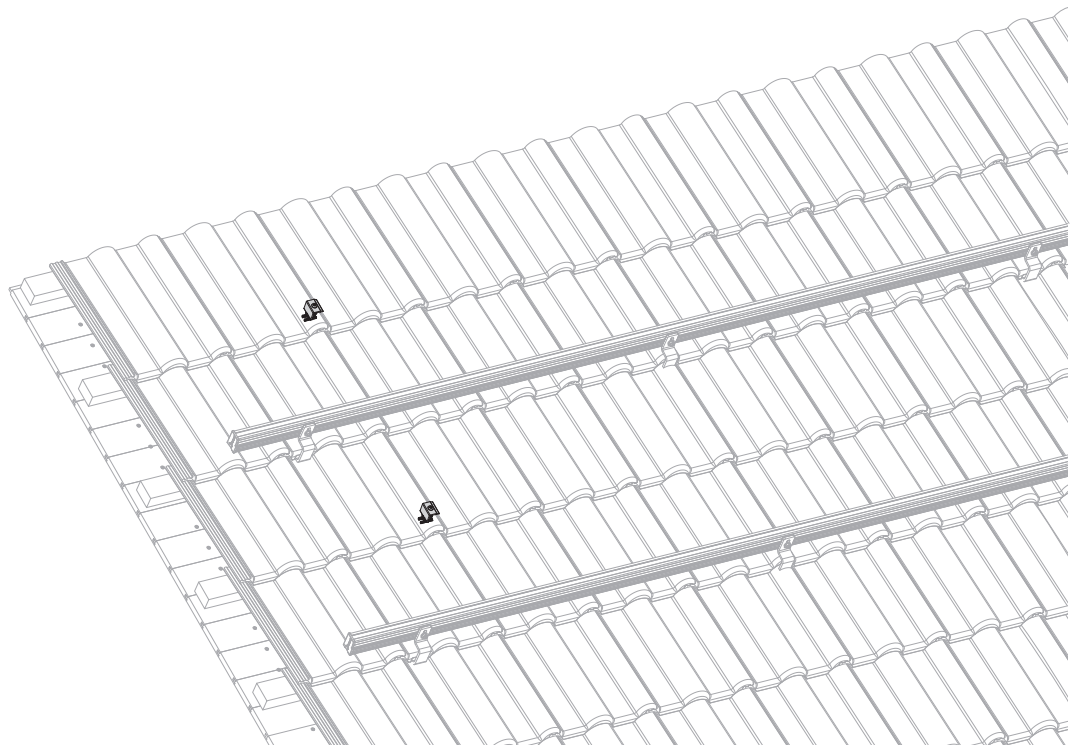
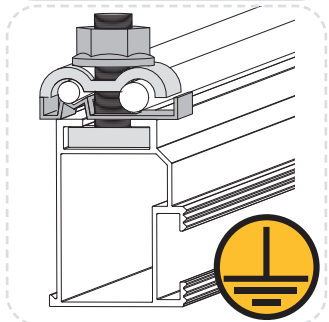
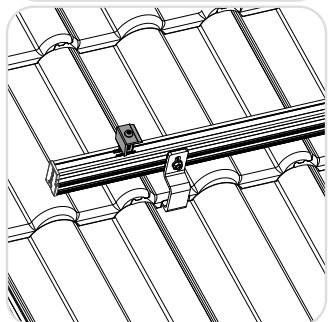
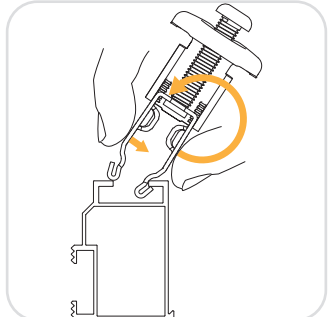
One-layer rail system on tongue and groove boards fixation - vertical module alignment



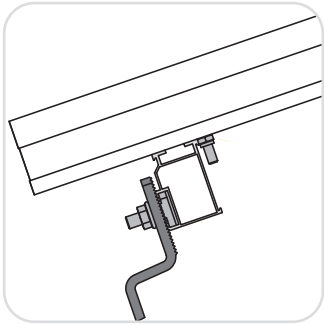
One-layer rail system on tongue and groove boards fixation - vertical module alignment



One-layer rail system on tongue and groove boards fixation - vertical module alignment



One-layer rail system on tongue and groove boards fixation - vertical module alignment

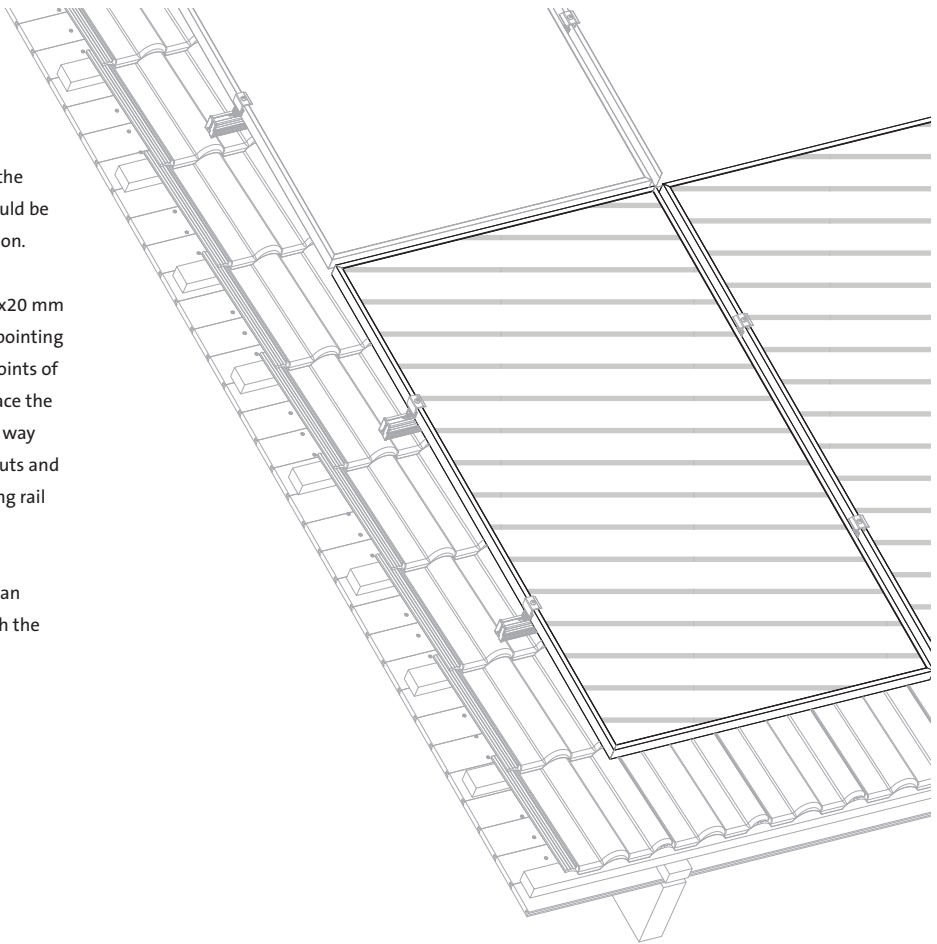
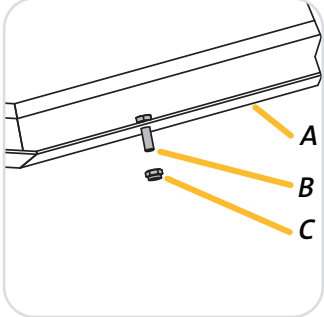


Warning!

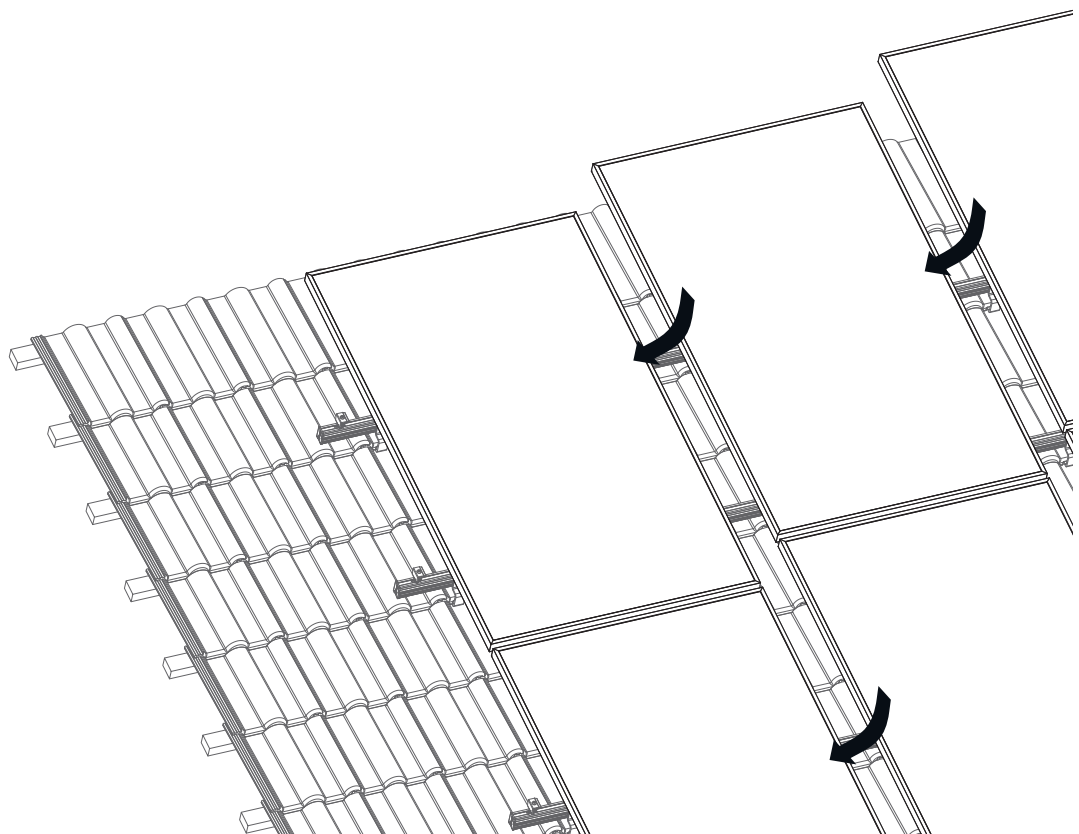
Before installing the modules, the modules of the lowest row should be provided with anti-slip protection.

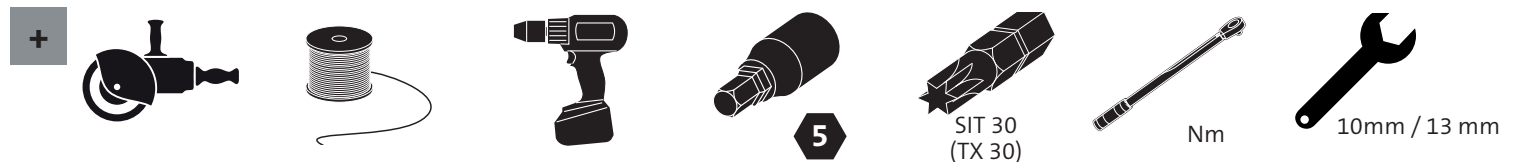
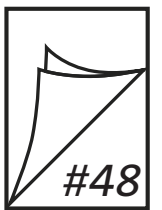
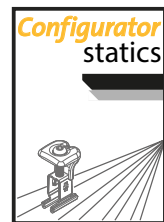
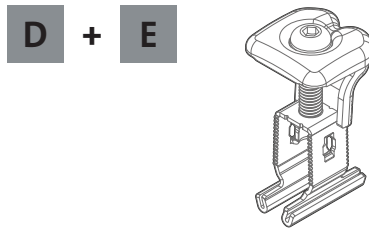
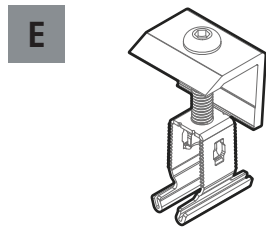
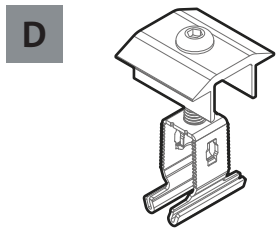
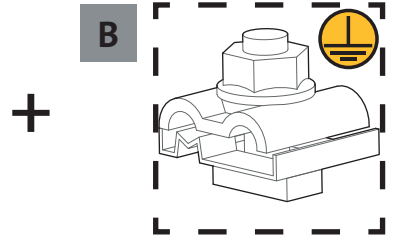
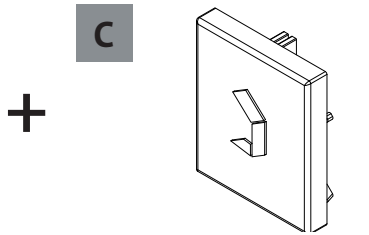
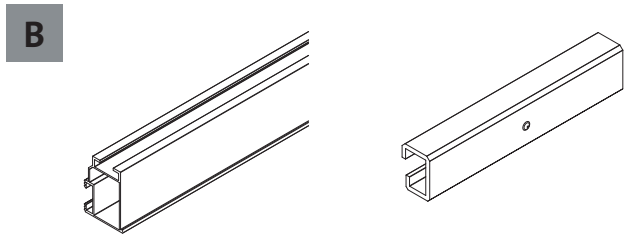
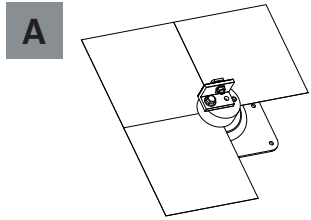
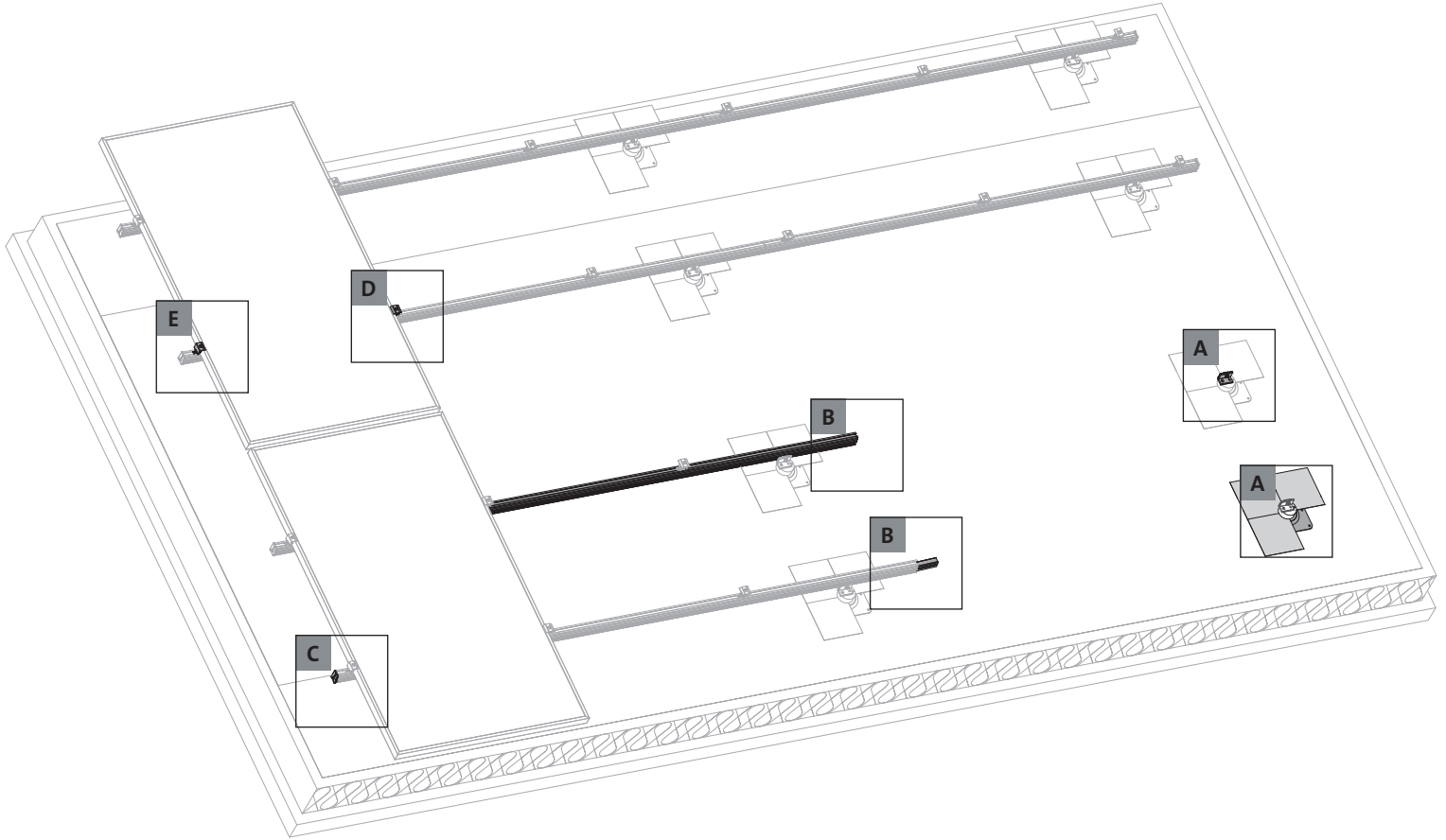
For this purpose fasten the M6x20 mm screws (with the shaft/thread pointing downwards) in the fastening points of the modules using M6 nuts. Place the modules in the lowest row in a way that the anti-slip protection abuts and the edge of the lowest mounting rail (Fig. B) touches.

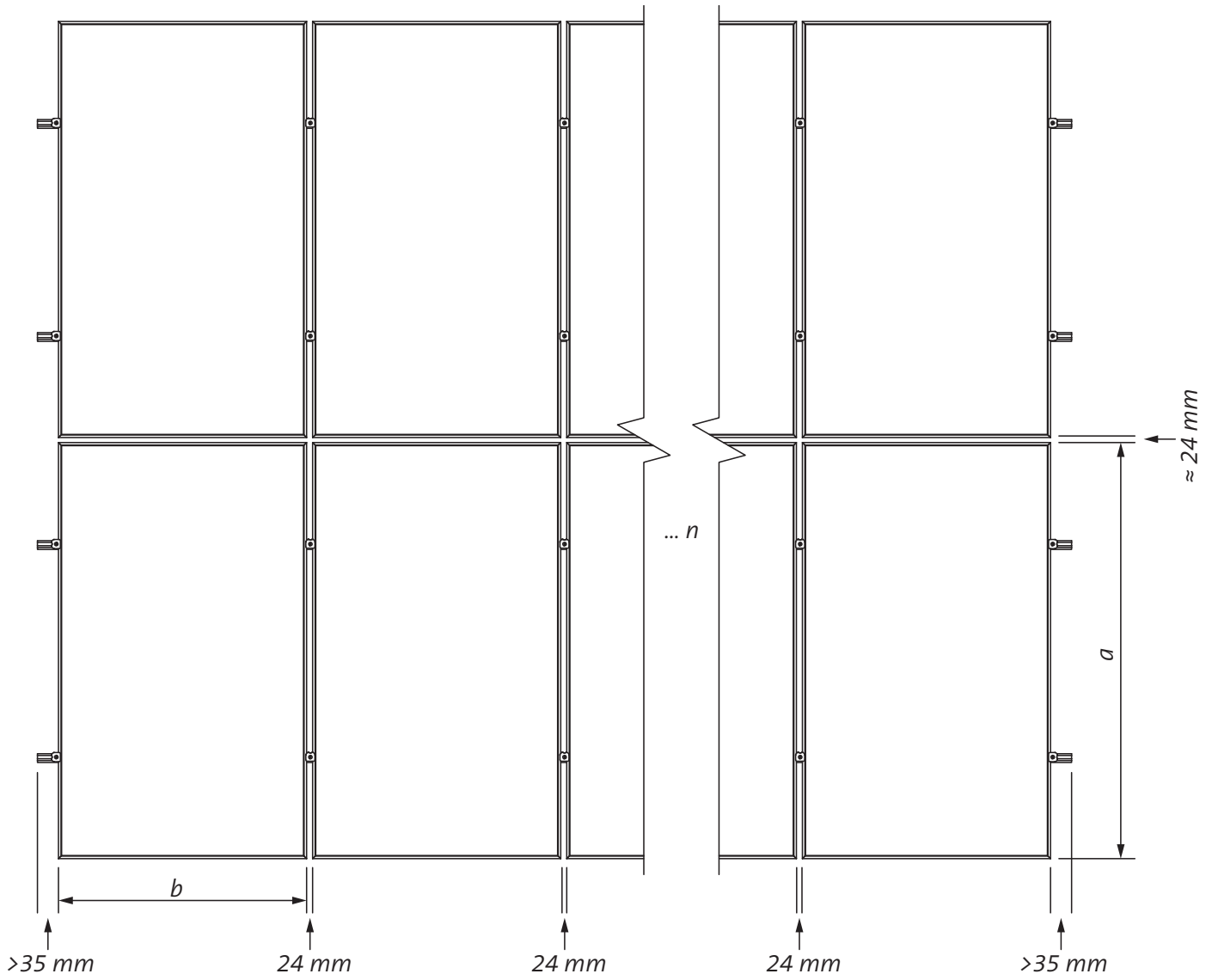
Note: The anti-slip protection can only be used with modules with the appropriate fastening holes.



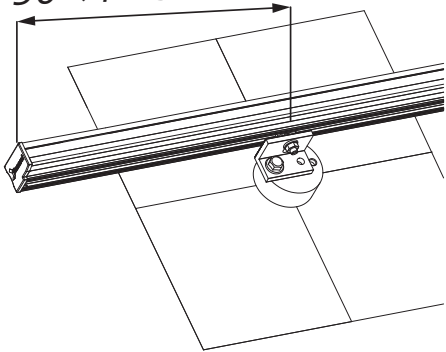
One-layer rail system on tongue and groove boards fixation - vertical module alignment



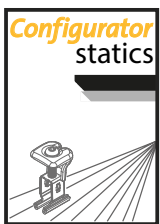




$50 < l < 300\text{ mm}$

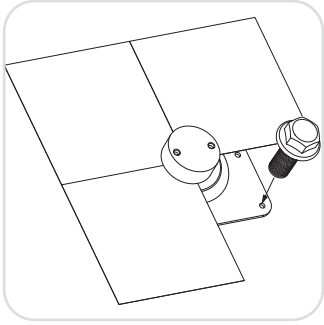


Without a structural analysis by means of the Renusol Configurator the length of the cantilever should not be longer than 300 mm.

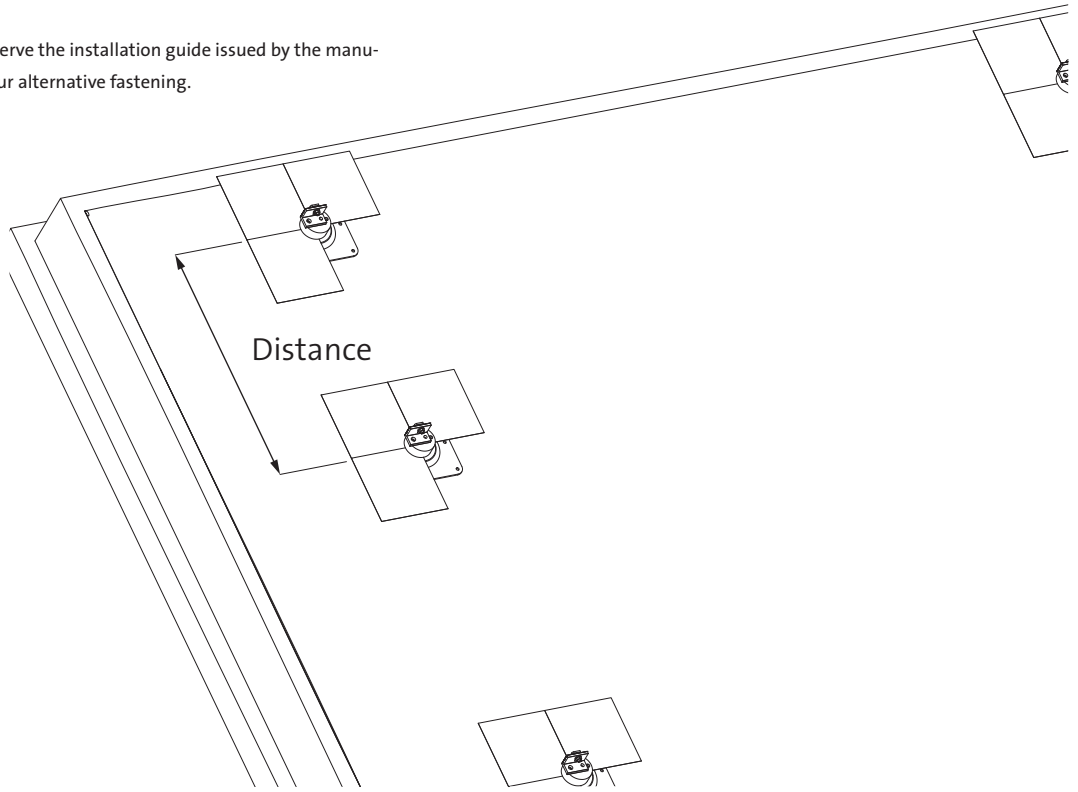
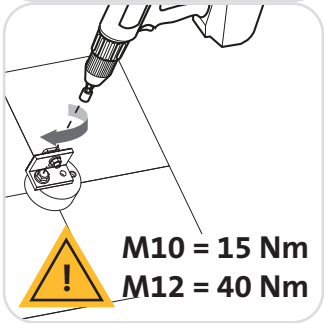
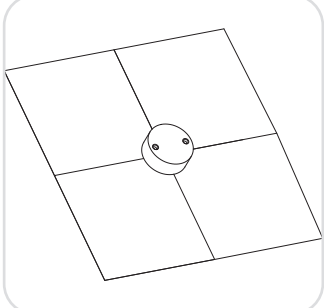


- General instructions
- Static calculations
- Technical project overview
 ⇒ www.pv-configurator.com

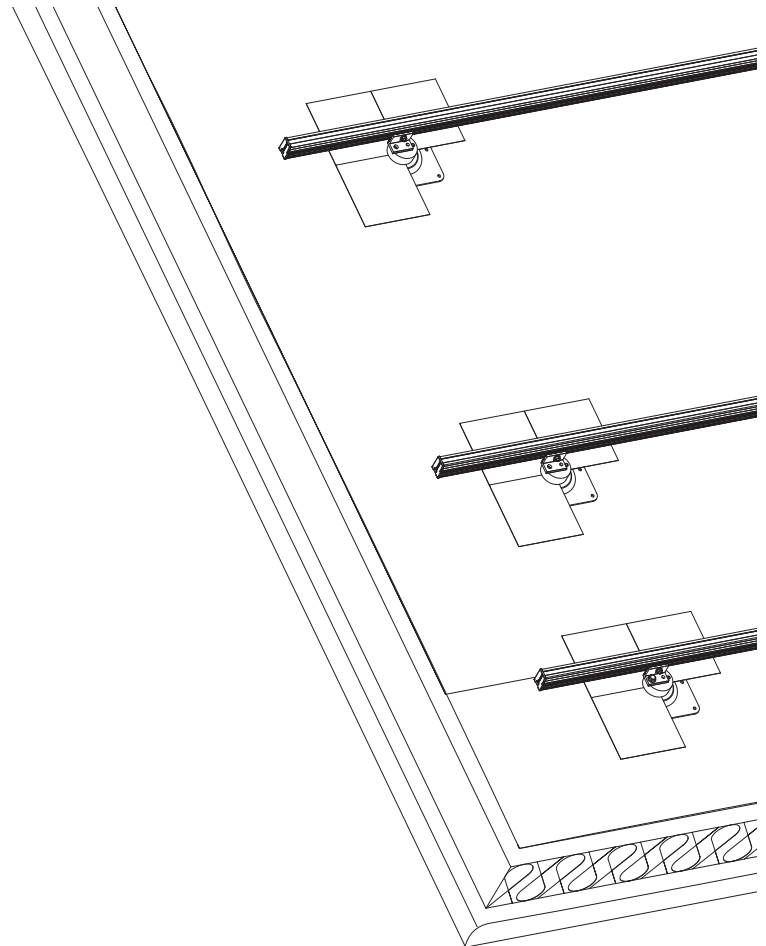
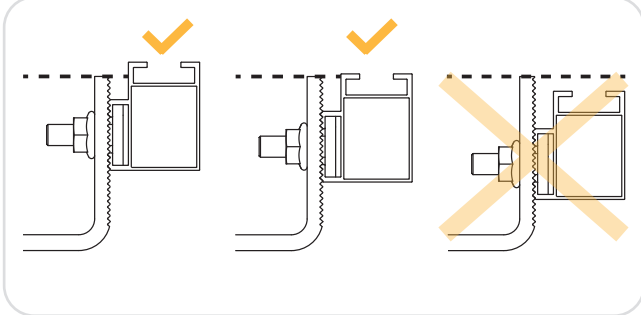
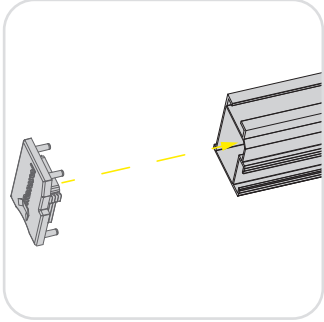
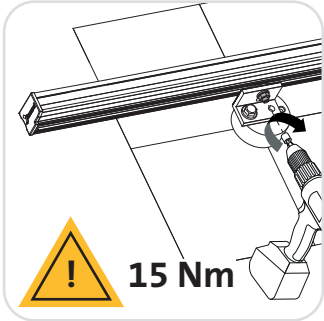
Connection to alternative fasteners



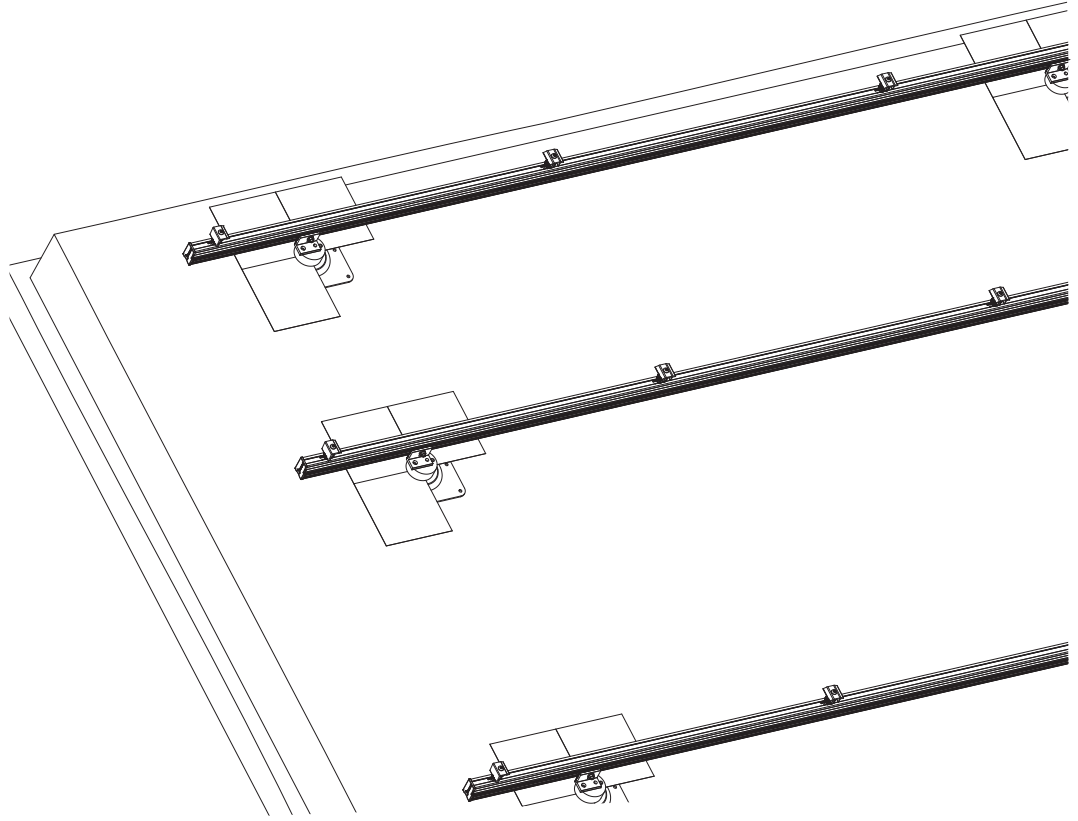
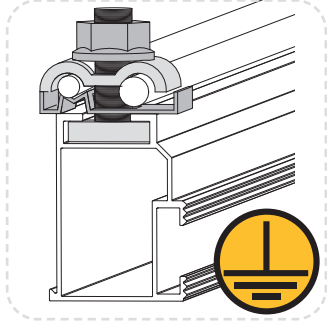
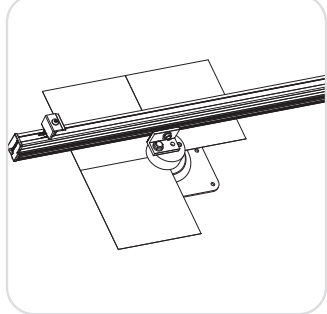
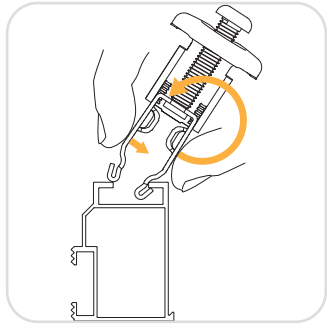
Warning!
With this, observe the installation guide issued by the manufacturer of your alternative fastening.



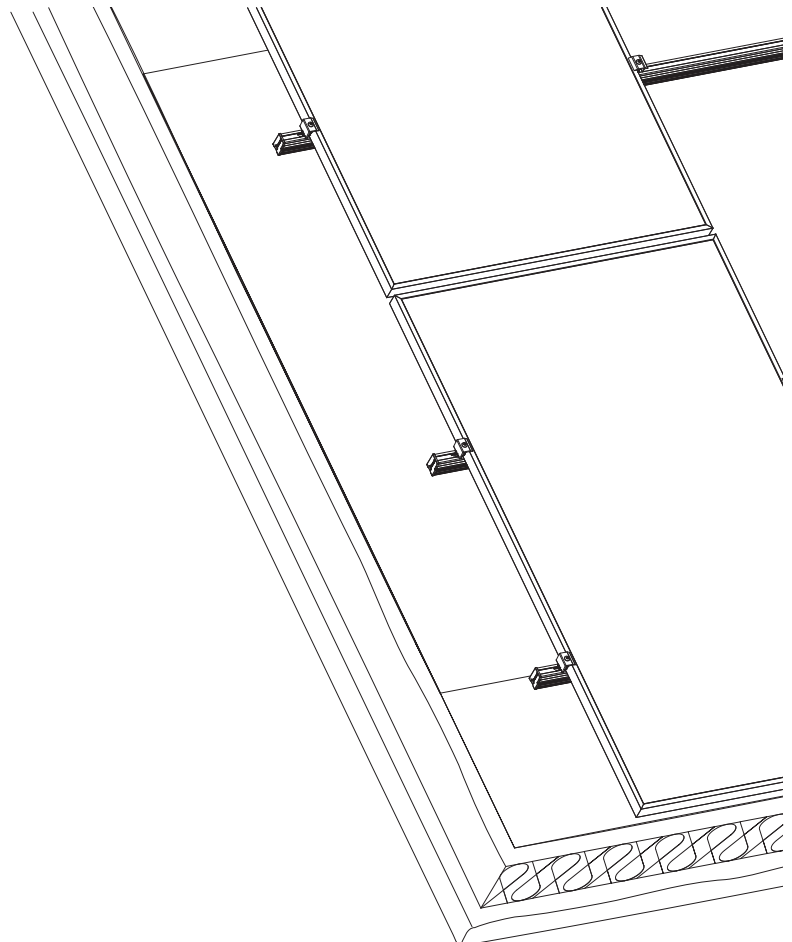
Connection to alternative fasteners



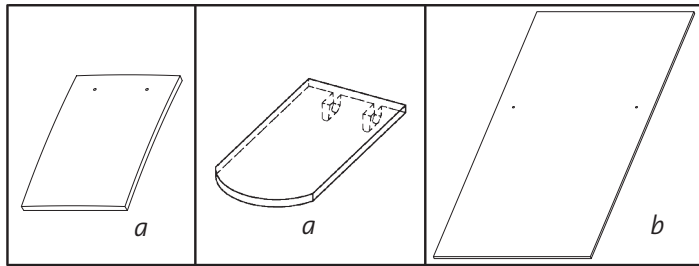
Connection to alternative fasteners



Connection to alternative fasteners



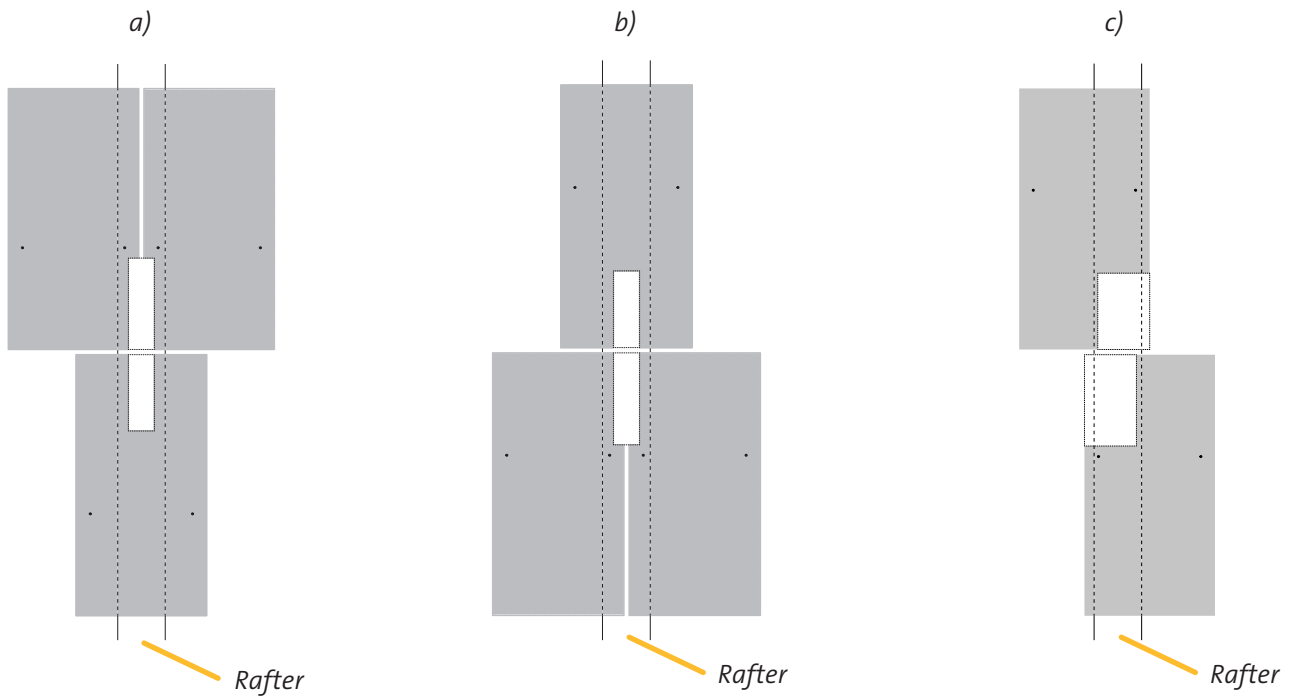
A



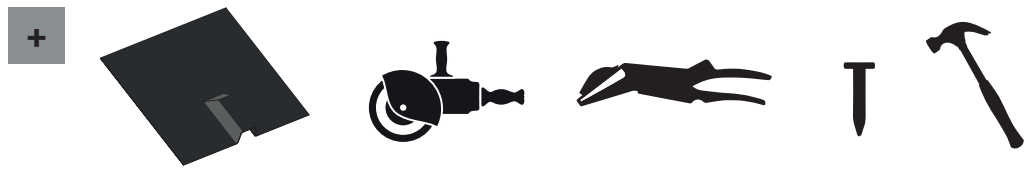
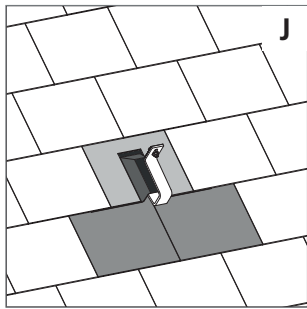
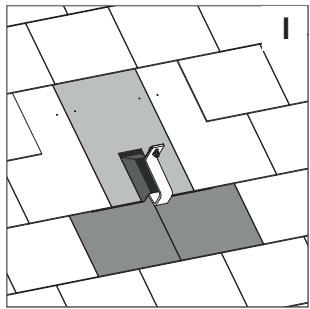
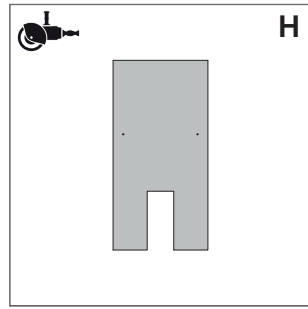
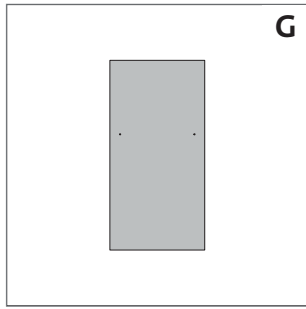
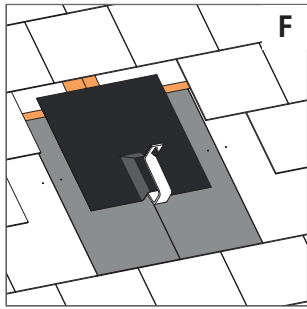
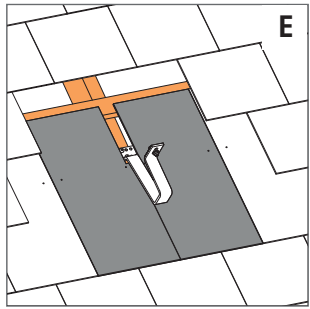
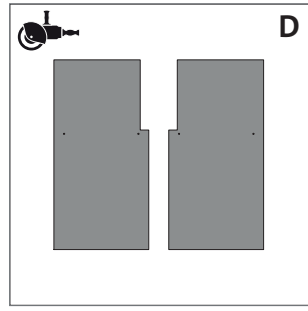
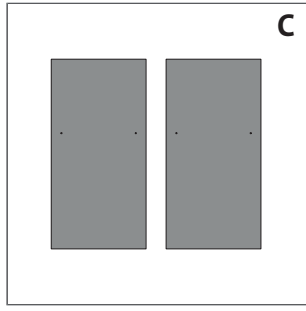
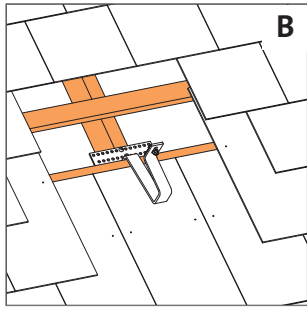
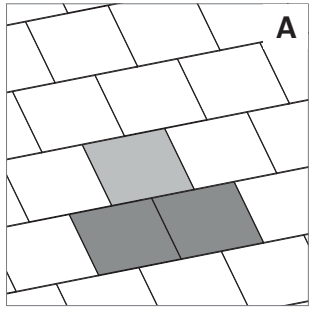
a Plain Tile
b Slate Tile

Processing of the bricks

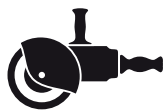
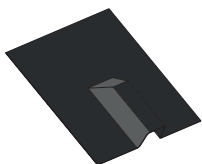
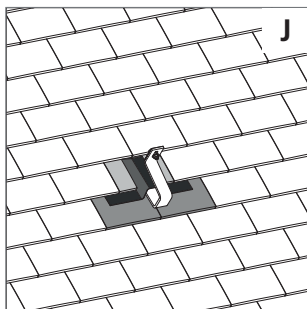
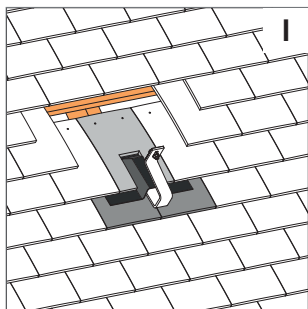
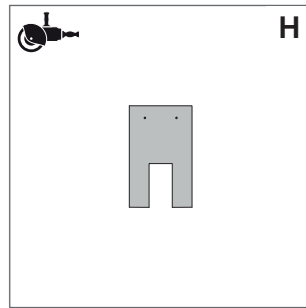
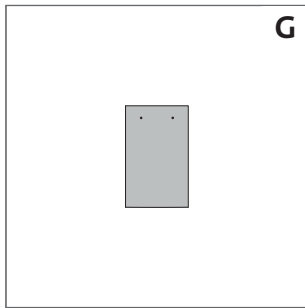
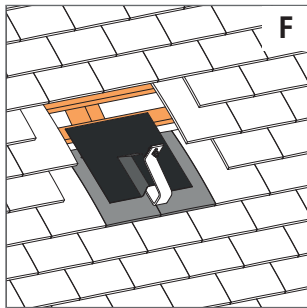
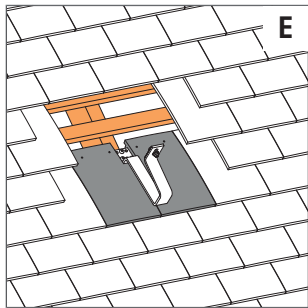
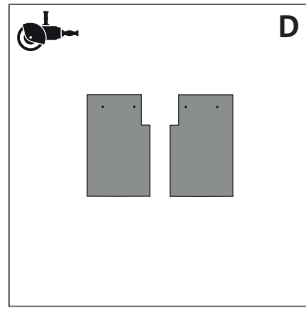
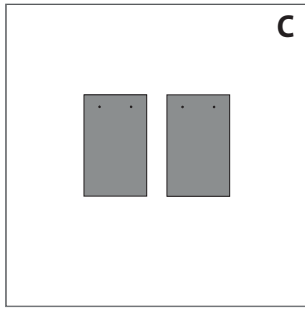
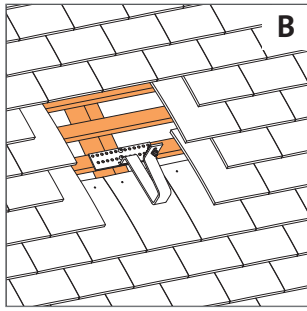
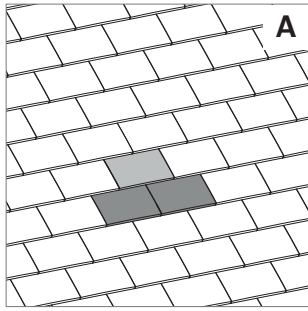
Use an angle grinder or slate cutter to cut a recess in the tile at the point of insertion of the roof hook, which covers the roof hook so that the tile lies flat. If the roof tiles are grooved, a recess must also be cut in the top of the lower roof tile. Handling from three different positions:



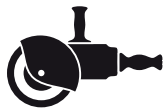
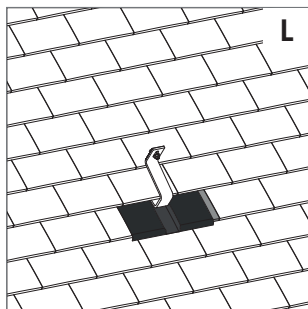
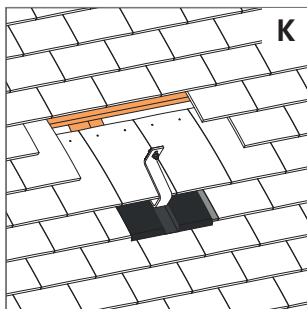
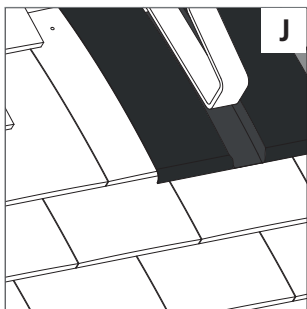
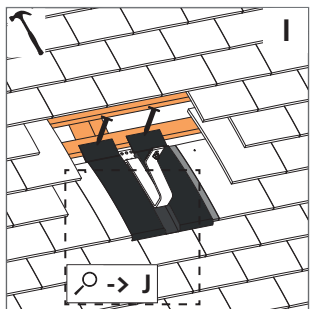
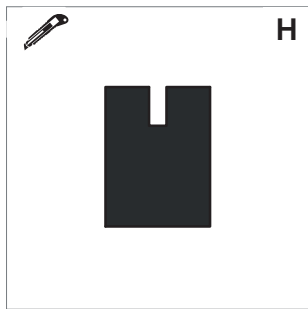
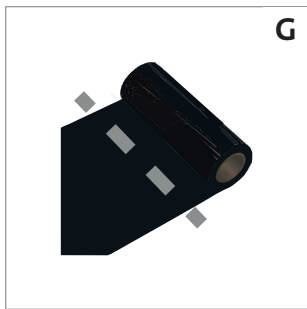
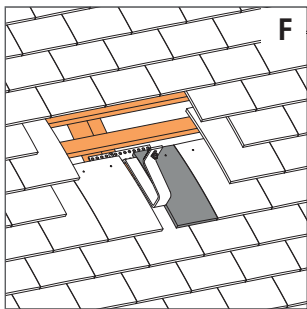
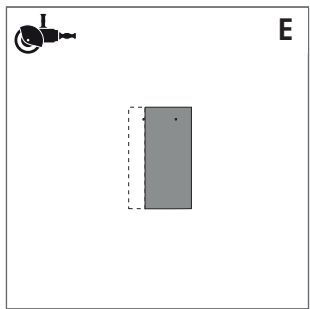
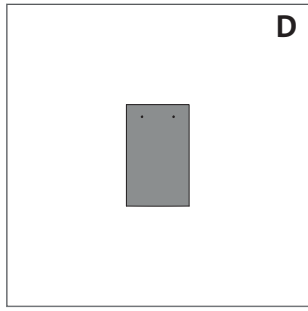
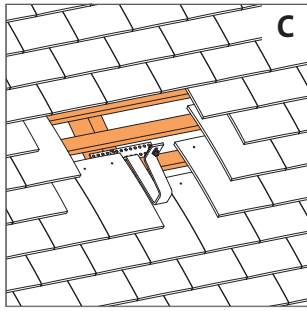
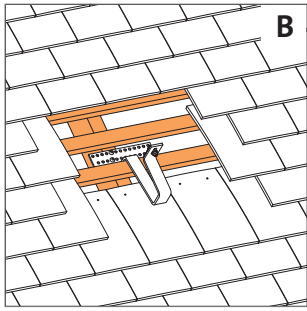
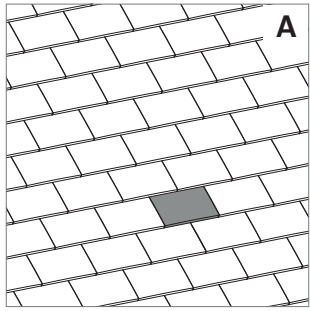
A



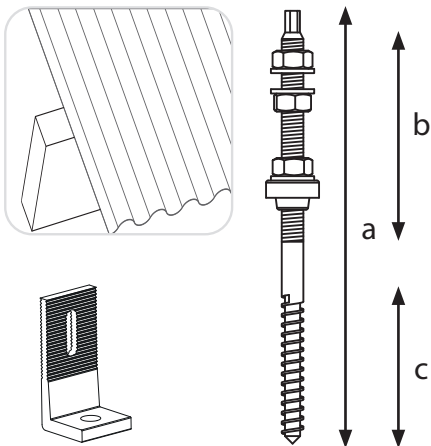
A



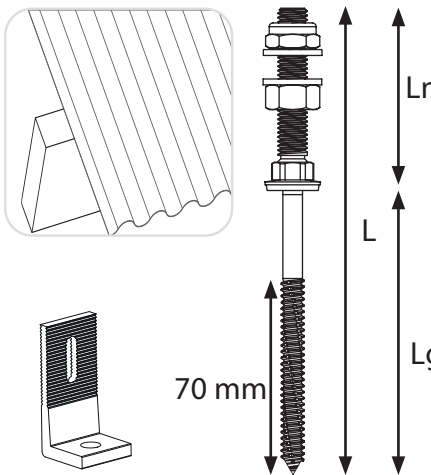
A



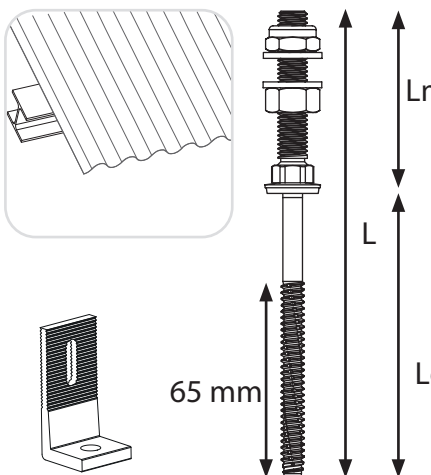
B



	Item No.	a:	b:	c:	
M10	920159	160 mm	71 mm	65 mm	(Connection offset/ connection)
M10	860020	180 mm	81 mm	65 mm	
M10	920008	200 mm	81 mm	65 mm	(Connection offset/ connection)
M10	860006	200 mm	81 mm	65 mm	
M12	920002	250 mm	91 mm	100 mm	(Offset connection)
M12	860007	250 mm	91 mm	100 mm	
M12	860017	300 mm	141 mm	100 mm	
M12	920136	350 mm	191 mm	100 mm	
M12	920137	400 mm	211 mm	100 mm	



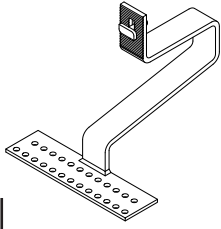
	Item No.	Lg/Lm:	L	Clamp area
M10	900187	80/50	136 mm	0 - 40 mm
M10	900188	100/50	156 mm	20 - 60 mm
M10	900189	130/50	186 mm	55 - 90 mm
M10	900190	150/50	206 mm	75 - 110 mm
M10	900191	180/50	236 mm	105-140 mm
M10	900192	200/50	256 mm	125 - 160 mm



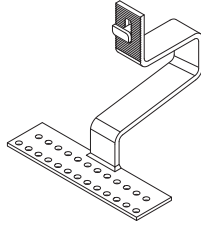
	Item No.	Lg/Lm:	L	Clamp area
M10	900181	80/50	136 mm	15 - 60 mm
M10	900182	100/50	156 mm	35 - 80 mm
M10	900183	125/50	181 mm	60 - 105 mm
M10	900184	150/50	206 mm	85 - 130 mm
M10	900185	160/50	216 mm	95 - 140 mm
M10	900186	200/50	256 mm	135 - 180 mm

B

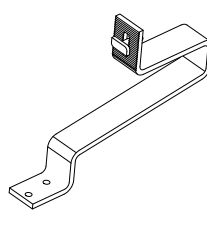
R420182
UK Roof hook,
Flexible



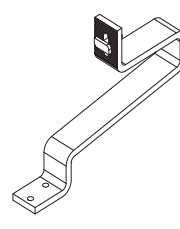
R420180
UK Roof hook,
Pantile



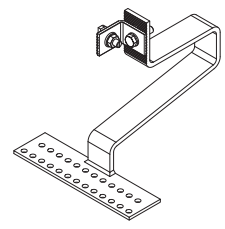
R420181
UK Roof hook,
Plain



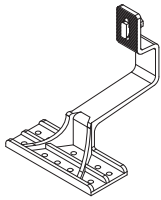
R420184
UK Roof hook,
Plain, Heavy Load



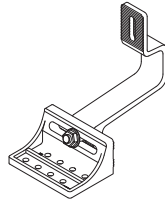
R420183
UK Roof hook 90°,
Flexible



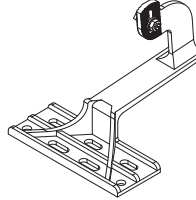
R420151
Roof hook,
aluminium, adjustable



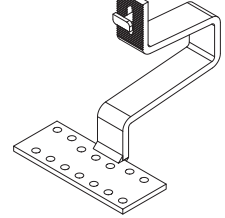
R420161
Roof hook,
aluminium, adjustable



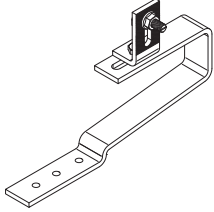
R920003
Roof hook,
aluminium, 90°



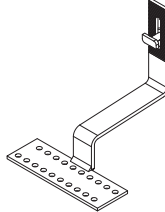
R420170
Roof hook,
Heavy Load



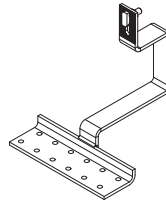
R420150
Roof hooks,
On-roof insulation



R420165
Roof hook,
Eco Basic

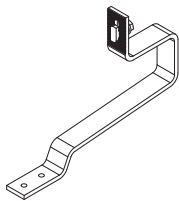


R420158
Roof hook,
Stainless steel TP

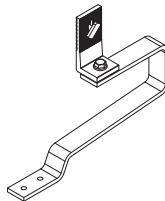


Galvanised steel as per
EN ISO 1461. Suitable
for corrosion class C3.

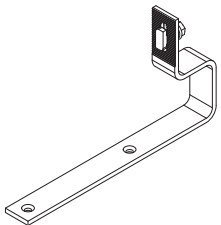
R420153
Plain tile roof hook



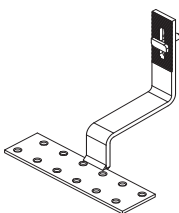
R420154
Plain tile roof hook,
90°



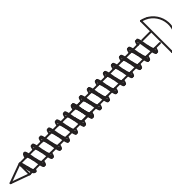
R420155
Slate roof hook



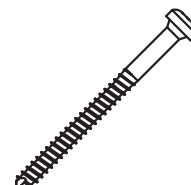
R420150
Dachhaken,
Edelstahl



R900050 5x30



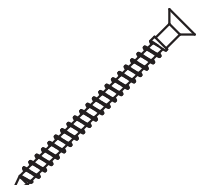
R900305 6 x 80



R900127 6 x 120
R900145 6 x 160
R900129 8 x 100



R900013 6 x 80



B**1x**

D Dachhaken

UK Roof hooks

F Crochet de toit

I Staffa

E Gancho de tejado

+ **n**

D Holzschraube

UK Wood screw

F Vis a bois

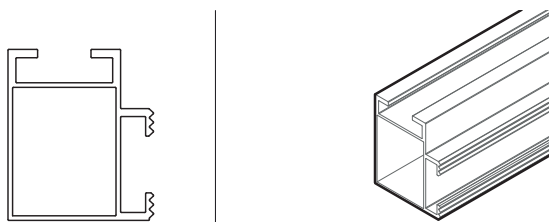
I Vite da legno

E Tornillo de madera

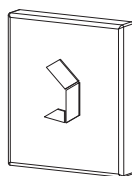
	900305	900013	900129	900127	900145	900050
420151	3x	–	–	2x	2x	–
420161	3x	–	–	2x	2x	–
920003	–	–	2x	–	–	–
420150	3x	–	–	2x	2x	–
420153	2x	–	–	2x	2x	–
420154	2x	–	–	2x	2x	–
420155	–	2x	–	–	–	–
420158	3x	–	–	2x	2x	–
420160	–	–	–	–	–	3x
420165	3x	–	–	–	–	–
420180	2x	–	–	–	–	–
420181	2x	–	–	–	–	–
420182	2x	–	–	–	–	–
420183	2x	–	–	–	–	–

B

VS+ mounting rail 41 x 35

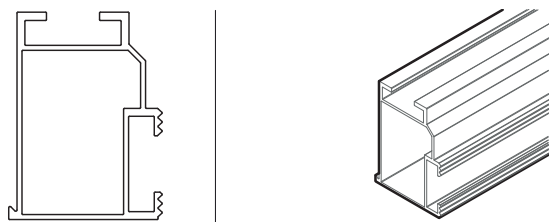


Cover cap for mounting rail 41 x 35

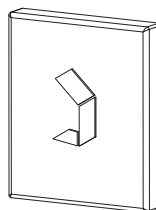


Item number	Colour
R900245	Black
R900246	Blank

VS+ mounting rail 50 x 37

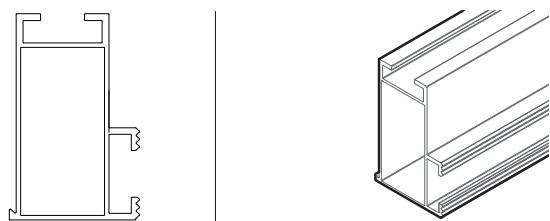


Cover cap for mounting rail 50 x 37



Item number	Colour
R920043	Black
R920044	Blank

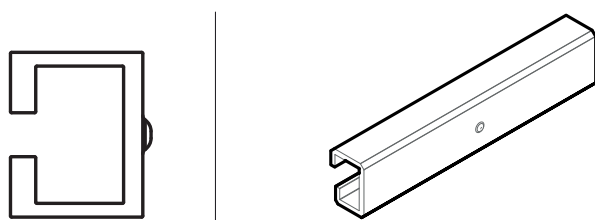
VS+ mounting rail 60 x 38



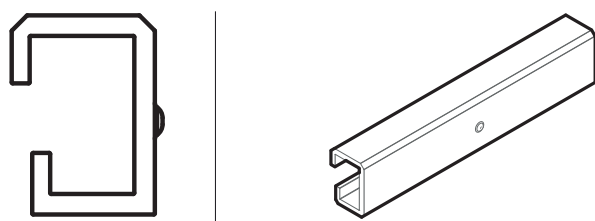
Mounting rail

Item number	Length	Colour
R400523	41x35x 2250 mm	Blank
R400511	41x35x 3200 mm	Blank
R500411-B		Black
R400524	41x35x 3300 mm	Blank
R400512	41x35x 4200 mm	Blank
R400512-B		Black
R400525	41x35x 4400 mm	Blank
R400513	41x35x 6200 mm	Blank
R400519	Pre-cut part	Blank
R400519		Black

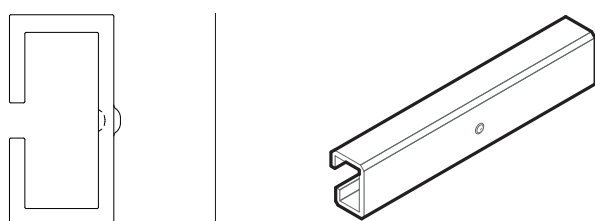
VS+ rail connector 41 x 35 - R400531



VS+ rail connector 50 x 37 - R400532



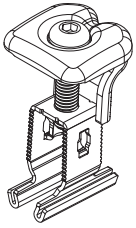
VS+ rail connector 60 x 38 - R400533



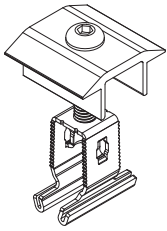
Item number	Length	Colour
R400527	50x37x 2250 mm	Blank
R400502	50x37x 3200 mm	Blank
R400502-B		Black
R400528	50x37x 3300 mm	Blank
R400505	50x37x 4200 mm	Blank
R400505-B		Black
R400529	50x37x 4400 mm	Blank
R400506	50x37x 6200 mm	Blank
R400509	Pre-cut part	Blank
R400509-B		Black

Item number	Length	Colour
R400535	60x38x 3300 mm	Blank

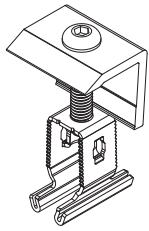
R420080/ R420080-BE
RS1 middle/ end clamp



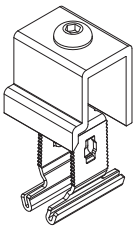
R420081/ R420081-BE
End clamp +



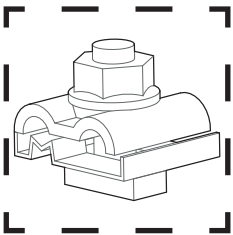
R420082/ R420082-BE
Middle clamp +



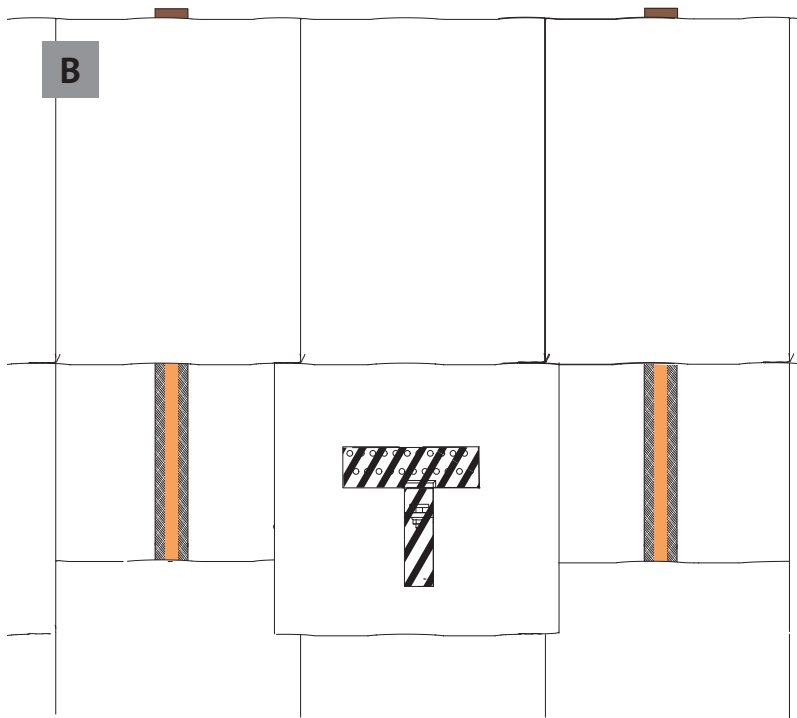
R420083/ R420083-BE
Cross rail connector+



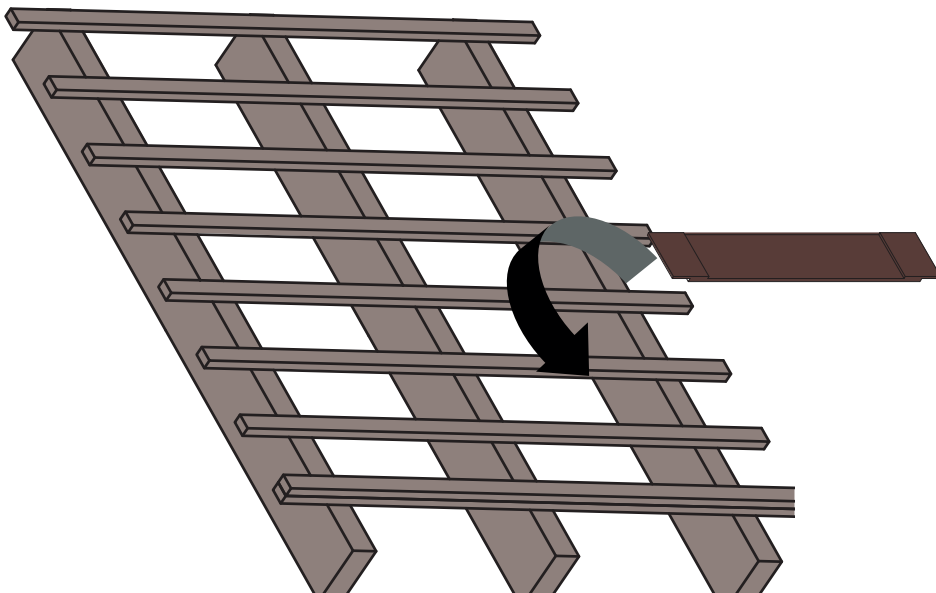
R900241
UNI earth clamp



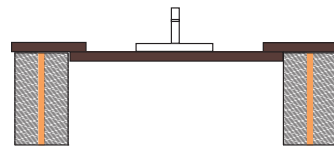
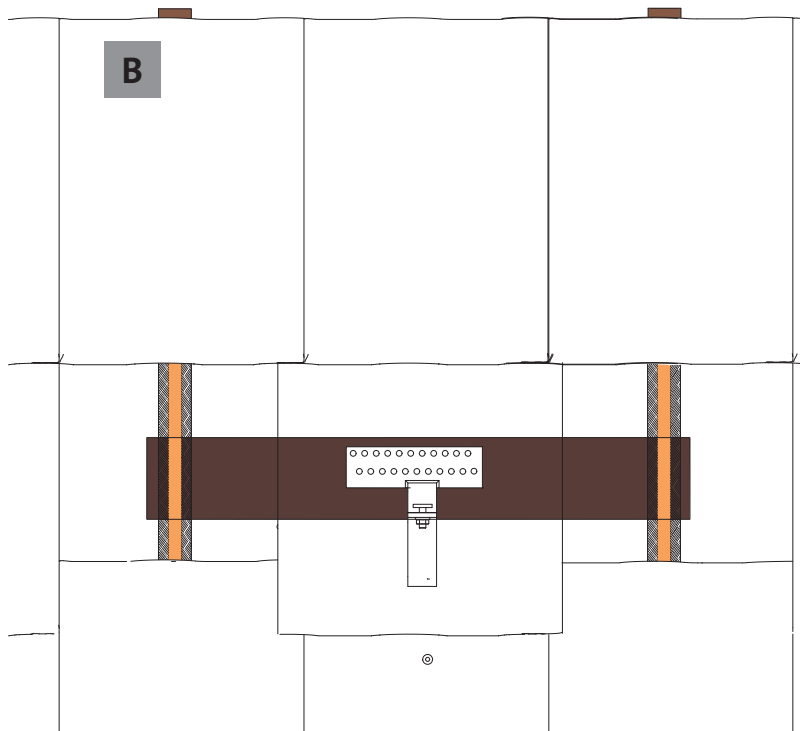
C



B



C



B

