



GOODWE
YOUR SOLAR ENGINE

SEC1000 USER MANUAL



GOODWE
YOUR SOLAR ENGINE

Smart Energy Controller

1 Symbols 01

2 Safety and Warning 01

3 Mounting

3.1 Mounting Instruction 02

3.2 Overview and Packaging 02

3.3 SEC1000 Installation 03

4 Technology parameter 09

5 Relevant Certification 10

1 Symbols



Caution! - Failure to observe a warning indicated in this manual may result in minor or moderate injury.



Components of the product can be recycled.



Danger of high voltage and electric shock!



This side up - The package must always be transported, handled and stored in such a way that the arrows always point upwards.



Product should not be disposed as normal household waste.



No more than six (6) identical packages be stacked on each other.



CE Mark



The package/product should be handled carefully and never be tipped over or slung.



Keep Dry - The package/product must be protected from excessive humidity and must accordingly be stored under cover.

2 Safety and Warning

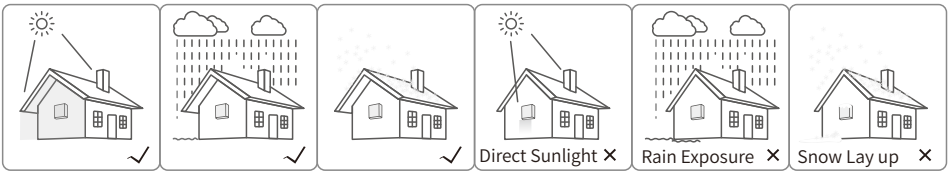
SEC1000 of Jiangsu GoodWe Power Supply Technology Co.,Ltd (hereinafter referred to as GoodWe) has been designed and tested strictly according to the international safety regulation.As electrical and electric equipment,Safety Regulation shall be followed during installation and maintenance.Improper operation may bring severe damage to the operator,the third party and other properties.

- Installation,maintenance of SEC1000 must be performed by qualified personnel.in compliance with local electrical standards. regulations and the requirements of local power authorities.
- To avoid electric shock,make sure the connection between SEC1000 and AC output of inverter. SEC1000 and Grid, is disconnected before performing any installation or maintenance.
- When in operation,users should not touch any of the electrical parts of SEC1000 ,like internal components. cables, to avoid electric shock.
- All electrical installations must comply with local electrical standards and obtain permission from local power authorities before SEC1000 can be connected to the grid by professionals.
- Before replacing any internal components of SEC1000, the connection between the inverter and SEC1000,the power grid and SEC1000 must be disconnected, and the newly replaced components must meet the requirements of SEC1000. Otherwise, GoodWe will not assume the responsibility and quality assurance for the personal harm.
- Make sure that the AC input voltage and input current match the rated voltage and current of SEC1000, otherwise the components will be damaged or cannot work properly,and GoodWe will not assume the responsibility and quality assurance for this case.
- There are lightning protection modules inside.Make sure to connect the internal PE with the ground when installing SEC1000.
- When in operation, do not plug or unplug cables of SEC1000.
- SEC1000 must be Installed out of reach of children.
- Appropriate antistatic measures should be taken.

3 Mounting

3.1 Mounting Instruction

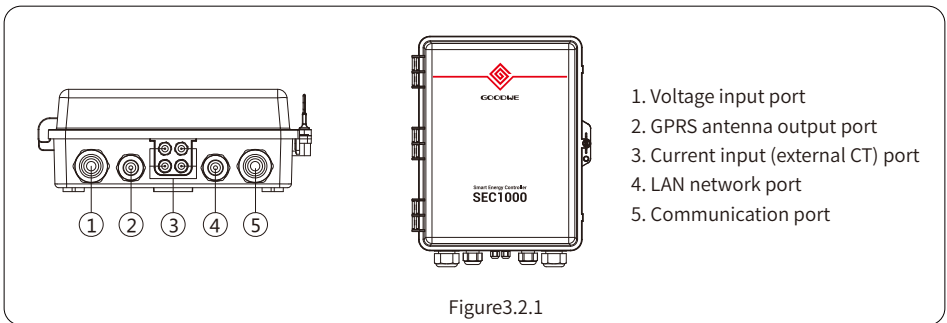
- SEC1000 must be installed where there is no significant shaking, shock vibration and no rain or snow.
- SEC1000 shall be installed at eye level for easy operation and maintenance.
- SEC1000 should not be installed near inflammable and explosive items. Any strong electro-magnetic equipment should be kept away from installation site.
- SEC1000 shall be installed at a location free from explosive hazardous media and free from gas and dust sufficient to corrode metals and destroy insulation.
- SEC1000 parameters and warning signs must be clearly visible after installation.
- SEC1000 should be installed without sunshine, rain and snow



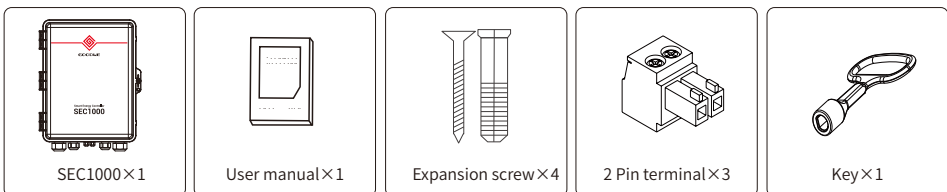
3.2 Overview and Packaging

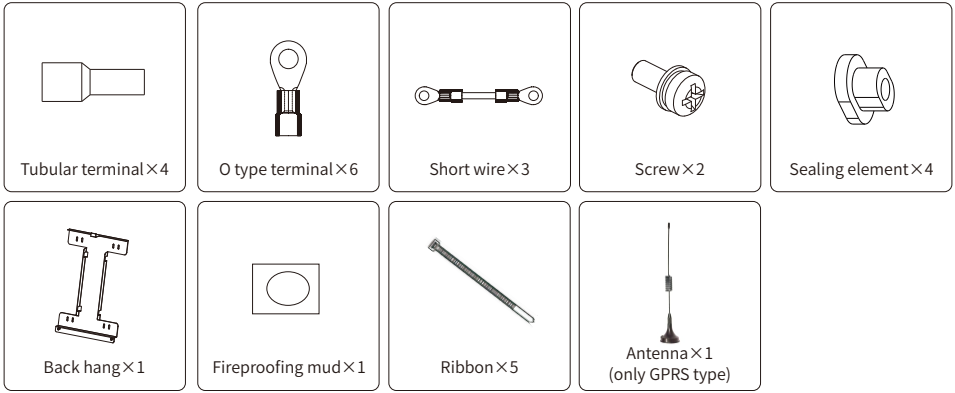
After opening the package, confirm if it is consistent with specification of SEC1000 you purchased.

3.2.1 SEC1000 Overview



3.2.2 Package



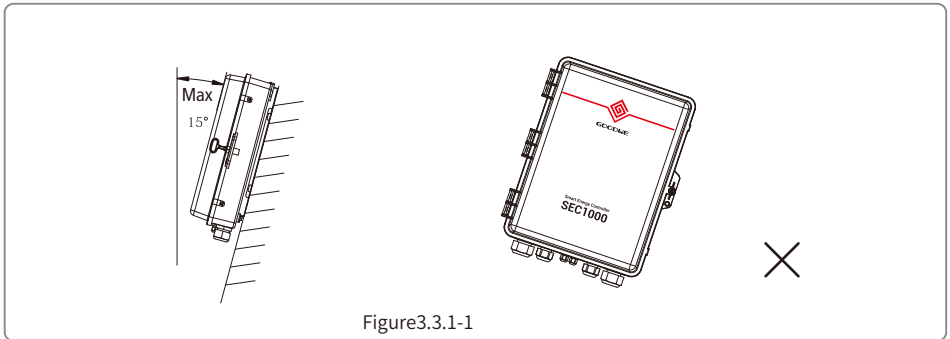


3.3 SEC1000 Installation

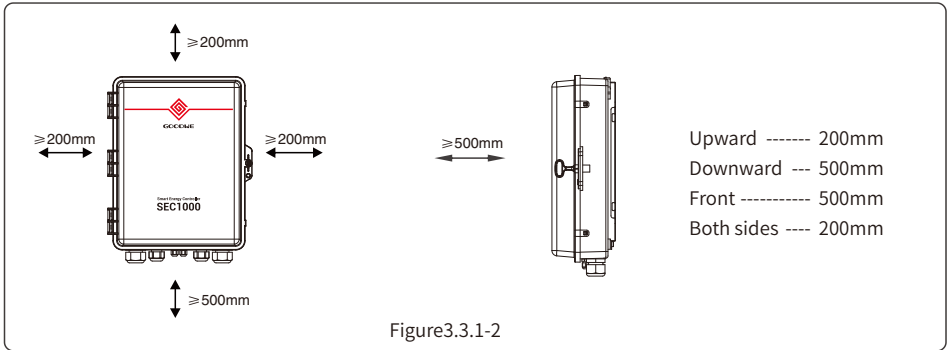
3.3.1 Selecting the installation location

The following must be considered when selecting the best location for an SEC1000

- The mount and installation method must be appropriate for the SEC1000' s weight and dimensions.
- Install on a sturdy surface
- The installation location must be well ventilated
- SEC1000 can be placed horizontally or installed vertically
- The SEC1000 must be installed vertical or with a backward tilt less 15°.No sideways tilt is allowed.The connection area must point downwards.Refer to Figure 3.3.1-1.

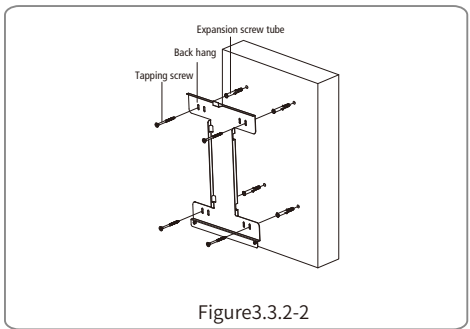
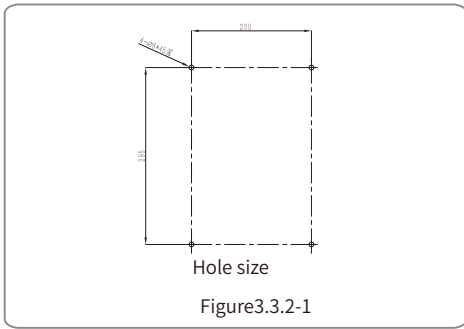


- To allow dissipation of heat,and for convenience of dismantling,clearances around the SEC1000 must be no less than the values, refer to figure3.3.1-2

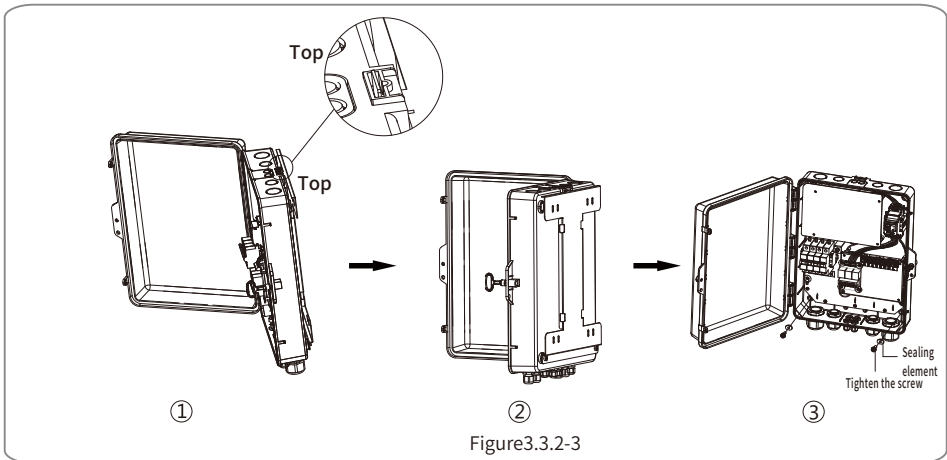


3.3.2 Mounting Procedure

- (1) Drill holes on the wall, 8mm in diameter and 45mm deep; Refer to Figure 3.3.2-1
- (2) Fix the wall mounting bracket on the wall with expansion bolts in accessory bag, refer to Figure 3.3.2-2



- (2) Place SEC1000 on the wall-mounted bracket as illustrated in figure 3.3.2-3



SEC1000 can be placed horizontally to work, as shown in the figure 3.3.2-4. Before installation, the inner mounting hole shall be sealed with the accessory fireproof mud, as shown in the figure 3.3.2-5. SEC1000 should be placed in a fixed place indoors.

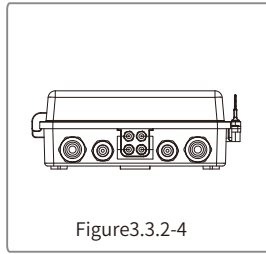
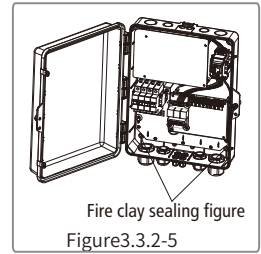


Figure3.3.2-4



Fire clay sealing figure
Figure3.3.2-5

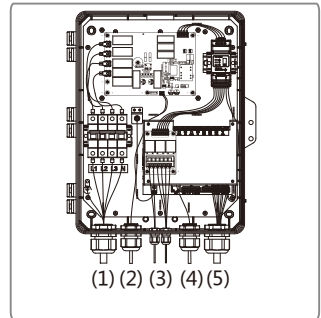
3.3.3 Port and wiring instructions

(1) Voltage Input Port(L1\L2\L3\N)\(PE)

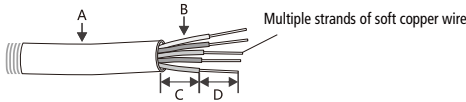


Input phase voltage range: AC60V-AC280V; Input line voltage range:

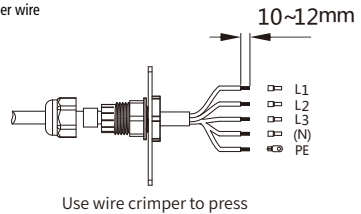
AC100V-AC480V; AC Frequency: 50/60Hz;



(1) (2) (3) (4) (5)



No.	Description	Content
A	Wire Diameter	No more than 25 mm
B	Cross Sectional Area of Copper Wire	Recommend:2.5-4mm ²
C	Wire Length	About 45 mm
D	Length of Bare Copper Wire	About 12mm(10mm for PE)



Use wire crimper to press

(2)GPRS Antenna Output Port

SEC1000(GPRS) uses this port to access the antenna.

(3)Current Input Port (three sets of CT: A&B&C)

Connect three sets of external CT to the connector at the position shown in figure 3-1 (A+A-\B+B-\C+C-).

Each input current must be less than 5 A.

Note: Correction method for misconnecting each CT.

Take B+B- reverse connection as an example, and operate in the sequence from figure 3-2 to figure 3-5 below.

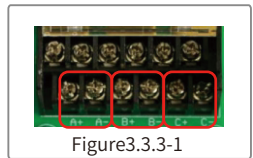


Figure3.3.3-1

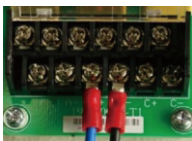


Figure3.3.3-2

(B+ and B- are reversed)

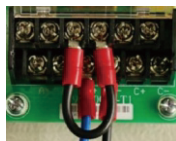


Figure3.3.3-3

(Connect the corresponding position with a short wire)

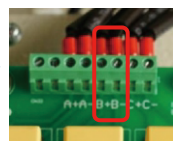


Figure3.3.3-4

(Switch the corresponding output terminal)

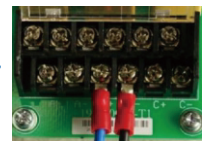


Figure3.3.3-5

(Remove the short wire)

Specification and crimping of external CT input current wire

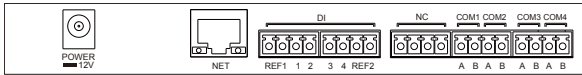
NO	Description	Content
A	Wire diameter	No longer than 6 mm
B	Cross sectional area of copper wire	0.75-2.0(recommended)
C	Wire length	45mm(more or less)
D	Length of bare copper wire	5mm(more or less)

5mm

Multiple strands of soft copper wire

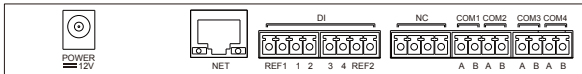
Use wire crimper to press

LAN Network port



LAN SEC1000 uses this port when accessing a network cable;The access point is as shown in the “NET” position in the figure above.

Communication Port



The description of bottom label inside SEC1000 is as follows

No.	Port	Description
1	POWER	DC Power Input (Occupied)
2	NET	Ethernet Interface
3	DI	DRED or RCR functional interface
4	NC	reserve
5	COM1	485 interface1 with Inverter
6	COM2	485 interface2 with Inverter
7	COM3	485 interface3 with Inverter
8	COM4	485 interface4 with SEC1000 internal Meter(Occupied)

Wire specification and installation: It is recommended to use shielded twisted pair cables with conductor area 1mm² for 485 communication cables.

Line	Function
1	RS485+
2	RS485-

6.5mm

25mm

Screw

Nut

The insulator

Screw cap

Cables

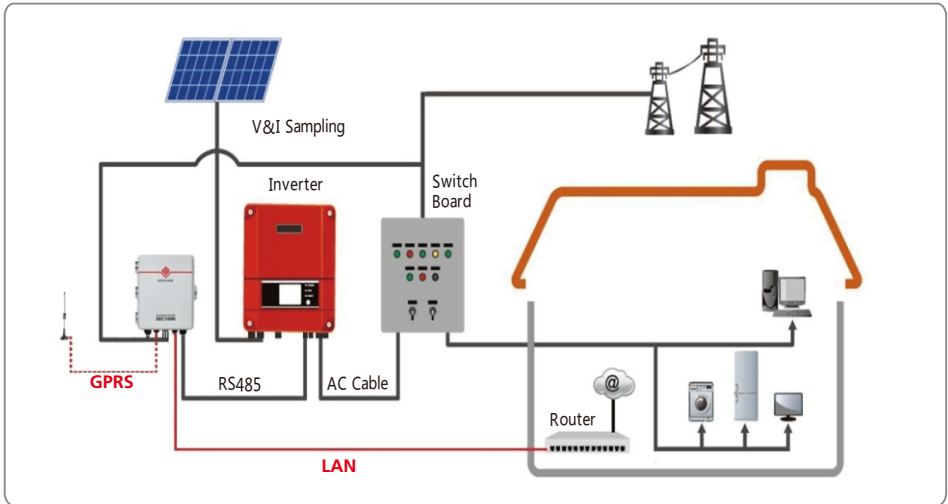
Box

Single hole seal ring

RS485 Communication Board

It is recommended to use Super Five Type of network cables. After wiring, use the fire-proof mud to seal the port, to ensure its protective performance.

3.3.4 SEC1000 Grid Connection Diagram



3.3.5 Main functions of SEC1000

In the Grid Connection Diagram as shown in 3.3.4(quantity of Inverter can be more than one), SEC1000 will have the functions of Reactive Power Compensation,Active Power Regulation and Backflow prevention, etc. The corresponding parameters of the inverter are acquired and set through the software ProMate installed in computer for monitoring and configuring SEC1000.

ProMate is a kind of software that can configure EzLoggerPro, SEC1000 etc. It can modify the network IP address of EzLoggerPro and SEC1000, configure the number of connected inverters, time setting, RCR, DRED function, configuration and on-site debugging.

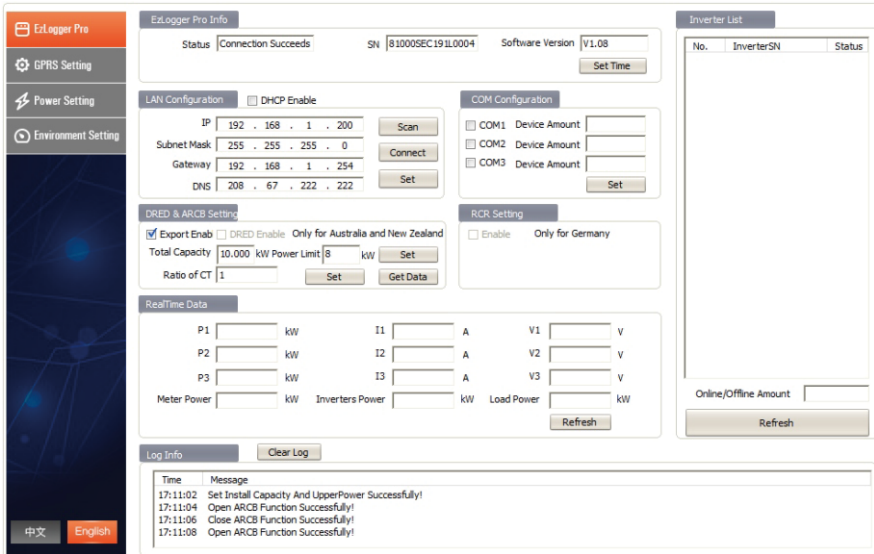
First, the user need to install “ProMate” in the computer by downloading ProMate from Internet (<http://www.goodwe-power.com/files/ProMate.rar>), Please access to the website to download the program and competethe installation.

If the user needs to use ProMate software to configure SEC1000, it needs to be set in dynamic IP(DHCP) or static IP according to the network connection mode.

(1)If the user is in the dynamic IP mode, he/she only needs to connect the SEC1000 NET port to the Router LAN port with the network cable to connect to the network, namely plug and play.

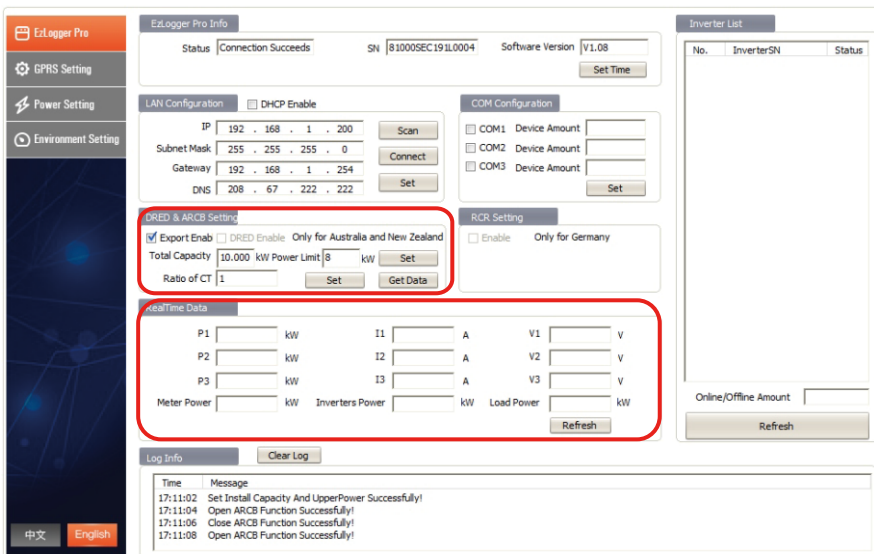
(2)If the user has a static IP, it is necessary to switch SEC1000 to the static IP mode. That is, press the Reload key for about 10 seconds to reset and restart SEC1000,About 10 seconds after pressing the Reload button, the LED lights on the SEC1000 internal EzLogger Pro Panel will blink from right to left and reset and restart. After restart, SEC1000 will be switched to static IP mode(default IP:192.168.1.200), then use cables to connect SEC1000 “NET” port to the Ethernet port of the computer.At the same time, the IP address of the computer needs to be modified. The IP address and the default gateway should be set at 192.168.1.xxx segment ($1 \leq XXX \leq 250$ and $XXX \neq 200$). For example, the IP address can be set as 192.168.1.100 and the default gateway as 192.168.1.254.

The interface of Promate is as follows:



3.3.5.1 SEC1000 Backflow Prevention Function

Firstly, set the Total Capacity, Power Limit and the Ratio of CT (of external CT), and then check the Export Enable (as shown in the figure below), so that the active voltage, current and power data can be monitored in real time.

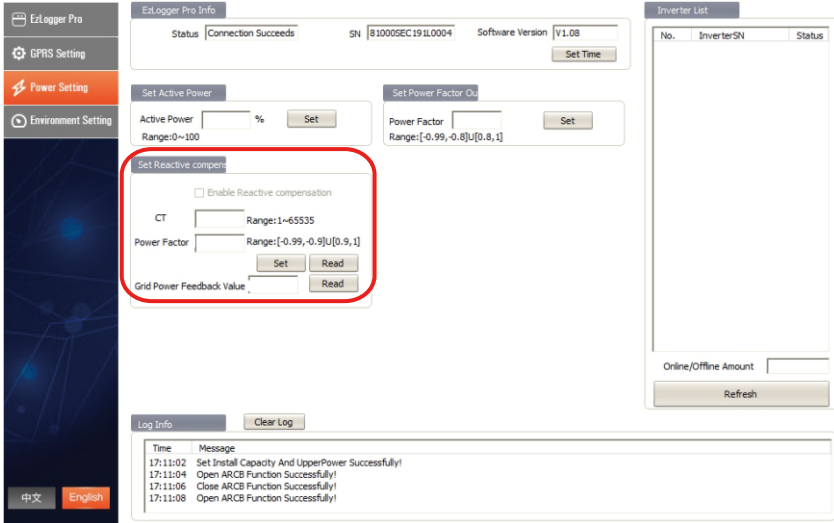


3.3.5.2 SEC1000 Reactive Power Compensation Function

Set the variable ratio of external CT (note that the primary current value of external CT does not exceed 5000A, and the corresponding secondary current value does not exceed 5A).

Set the desired Power Factor value

The Grid Power Feedback value is the actual value acquired after setting the expected Power Factor.



4 Technology parameter

Name	SEC1000 (Smart Energy Controller 1000)
Technology parameter	
Input voltage range	Phase voltage: AC60V~280V
	Line voltage: AC100V~480V
Input voltage frequency	50Hz/60Hz
Input current range	0~5A(recommended CT see ¹)
Rated power consumption	<10W
Communication with the inverter	RS485
Maximum distance from the inverter	1000m (use shielded twisted-pair cable)
Maximum number of inverters connected	60pcs
Communication with terminals	LAN, GPRS
Operating temperature range	-25~60
Relative humidity	0~100%
Level of protection	IP65
Size (L*W*H)	320×420×131mm
Weight	4KG

¹ Recommended CT

According to the external current range, GoodWe recommends the following specifications, for reference only.

No	Range of current tested	Content	Remark
1	$I_{max} < 250A$	CT 200A Acrel/AKH-0.66(200A/5A)	Backflow CT,closed type(Hole size31mm*11mm,Φ22mm)
		CT 250A/5A Acrel/AKH-0.66-K-30x20-250/5	Backflow CT,open type(Opening size:32mm*22mm),accuracy 0.5%
		CT 250A/5A Acrel/AKH-0.66-K-60x40-250/5	Backflow CT,open type(Opening size:62mm*42mm),accuracy 1.0%
2	$250A \leq I_{max} < 1000A$	CT 1000A/5A Acrel/AKH-0.66-K-60x40-1000/5	Backflow CT,open type(Opening size:62mm*42mm),accuracy 0.5%
		CT 1000A/5A Acrel/AKH-0.66-K-80x40-1000/5	Backflow CT,open type(Opening size:82mm*42mm),accuracy 0.5%
		CT 1000A/5A Acrel/AKH-0.66-K-80x80-1000/5	Backflow CT,open type(Opening size:82mm*82mm),accuracy 0.5%
3	$1000A \leq I_{max} < 5000A$	CT 5000A/5A Acrel/AKH-0.66-K-140x60-5000/5	Backflow CT,open type(Opening size:142mm*62mm),accuracy 0.2%
		CT 5000A/5A Acrel/AKH-0.66-K-160x80-5000/5	Backflow CT,open type(Opening size:162mm*82mm),accuracy 0.2%

5 Relevant Certification





SEMS Portal app



SEMS Portal website
www.sems-portal.com



Company's official
website



Company Wechat

GoodWe(China)

No.90 Zijin Rd., New Distric
Suzhou, 215011, China
T: 400 998 1212
service.chn@goodwe.com.cn
www.goodwe.com.cn

GoodWe(Netherlands)

service.nl@goodwe.com.cn
www.goodwe.com.cn

GoodWe(Australia)

service.au@goodwe.com.cn
www.goodwe.com.cn

GoodWe(UK)

enquiries@goodwe.co.uk
www.goodwe.co.uk



350-00460-01