

C E R T I F I C A T E
of Conformity



Registration No.: AK 50497535 0001

Report No.: CN21K0NV 001

Holder: JIANGSU GOODWE POWER SUPPLY
TECHNOLOGY CO., LTD.
No.90 Zijin Rd.,
New District, Suzhou
215011 Jiangsu
P.R. China

Product: PV-Inverter
(Hybrid Inverter)

Identification: Type Designation : GW5000S-BP GW3600S-BP
Serial Number : Engineering Sample
Firmware Version : 03034
Remark : Compliance with the requirement of
RD 244/2019, Annex I. Refer to test
report CN21K0NV 001 for details.

Tested acc. to: RD 1699:2011
UNE 206006 IN:2011
UNE 206007-1 IN:2013
UNE 217001:2015 IN

The certificate of conformity refers to the above mentioned product. This is to certify that the specimen is in conformity with the assessment requirement mentioned above. This certificate does not imply assessment of the production of the product and does not permit the use of a TÜV Rheinland mark of conformity.



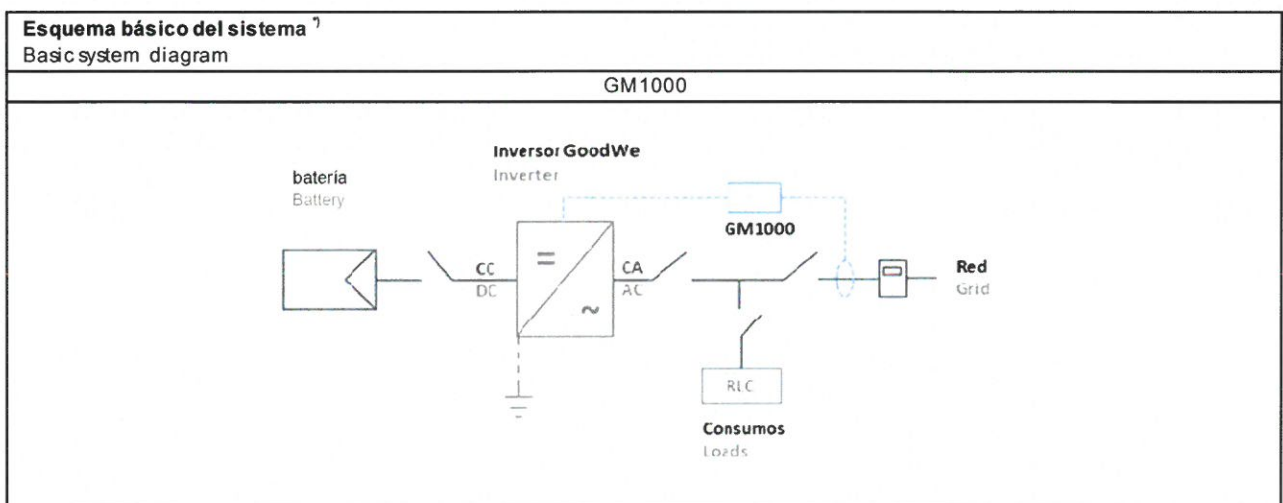
Date 15.03.2021

Weichun Li

TÜV Rheinland LGA Products GmbH - Tillystraße 2 - 90431 Nürnberg

Modelo Model	GW3600S-BP	GW5000S-BP
Potencia nominal CA Nominal AC Power	3680 W	5000 W
Tensión nominal CA Nominal AC voltage	230 V	230 V
Corriente máxima CA Maximal AC current	16.0 A	22.8 A
Frecuencia nominal Nominal frequency	50 Hz	50 Hz
Rango de tensión MPPT MPPT voltage range	40-60 V	40-60 V
Tensión CC máxima Max. DC voltage	48 V	48 V
Corriente DC máxima Max. DC current	75 A	100 A
Elemento de control Control device	Controller in Inverter	Controller in Inverter
Tipo de dispositivo de control Type of control device	Integrated	Integrated

Información general del transductor de corriente externo / medidor de potencia ¹ General information of external current transductor/ power meter	
Fabricante Manufacturer	Elecmat Technology Company Limited
Modelo Model	GM1000
Aplicación Application	1 Phase
Tensión nominal Nominal voltage	230 Vac
Corriente máxima Max. current	120 A
Clase de precisión Class of accuracy	Class 1
Tipo de comunicación Type of communication	RS485



***) Para cumplir los requisitos de RD244: 2019/ ANEXO I y UNE 217001 IN: 2015, se instalará el dispositivo adicional.**
For fulfill the requirements of RD244 : 2019/ ANEXO I and UNE 217001 IN: 2015, the additional device shall be installed.

JIANGSU GOODWE POWER SUPPLY
TECHNOLOGY CO., LTD.
Mr. Jiang Tao

Date : 15.03.2021
Our ref. : PJG 01
Your ref.: Jing Xie

No.90 Zijin Rd.,
New District, Suzhou
215011 Jiangsu
P.R. China

Ref : AK Certificate of Conformity

Type of Equipment : Hybrid Inverter
Model Designation : See Certificate
Certificate No. : AK 50497535 0001
Report No. : CN21K0NV 001

Dear Mr. Jiang Tao,

We herewith confirm that a sample of the above mentioned technical equipment has been tested and was found to be in accordance with the relevant requirements.

Enclosed please find your Certificate of Conformity.

We appreciate your kind support and would like to offer our assistance and continuous services in the future.

With kind regards,

Certification Body


Weichun Li

CC: JIANGSU GOODWE POWER SUPPLY

Enclosure

证书的详细资料请登陆www.certipedia.com查阅,或拨打我司客服热线800 999 3668 / 400 883 1300咨询